

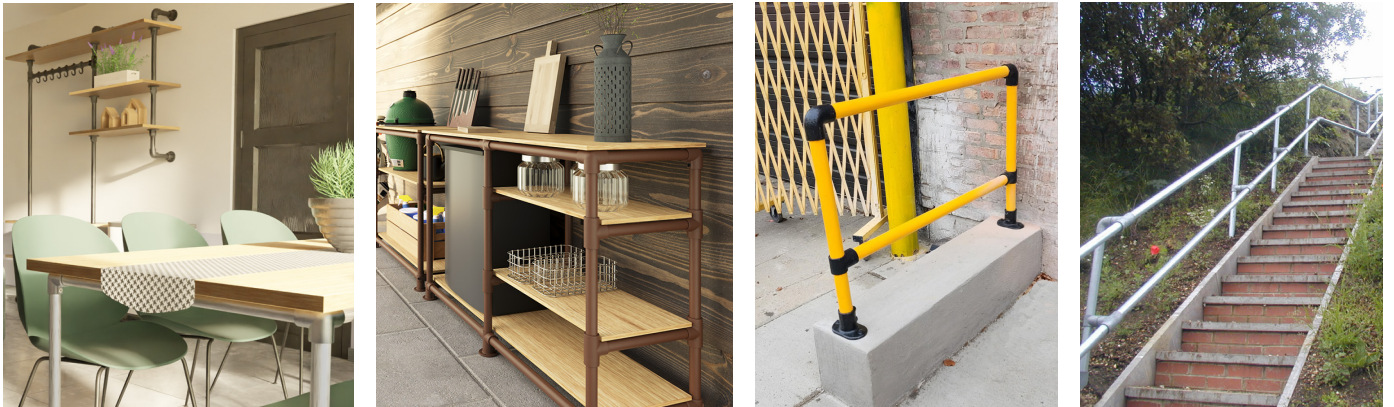
Brochure
2026

TUBO  **conex**

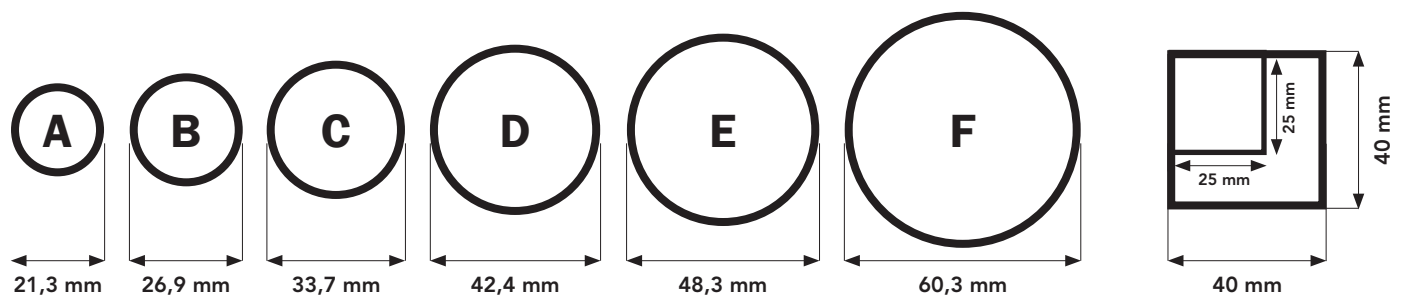


Tube fittings ...and more

We carry a wide range of fittings, most of which are in stock in our warehouse as standard.

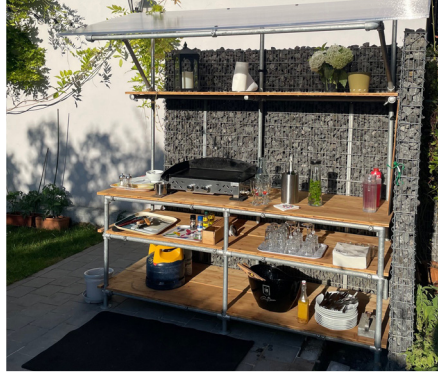


Our fittings are available in 6 sizes for round tubes, and for square tubes of 40x40 mm and 25x25 mm. The tube assemblies and frames can be made to any size. The dimensions in the drawings and tables in this brochure are expressed in mm and the BSP set threads in inches.



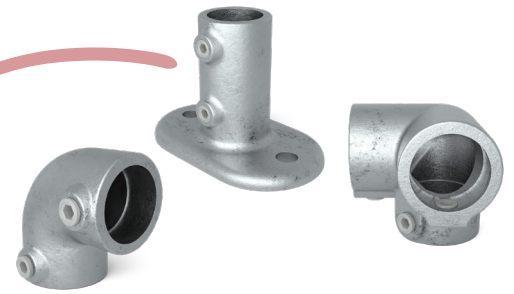
Reference Type	Outer diameter tube	Tube size
A	21,3 mm	1/2"
B	26,9 mm	3/4"
C	33,7 mm	1"
D	42,4 mm	1 1/4"
E	48,3 mm	1 1/2"
F	60,3 mm	2"
Square	25x25 mm and 40x40 mm	

GALVANISED tube fittings



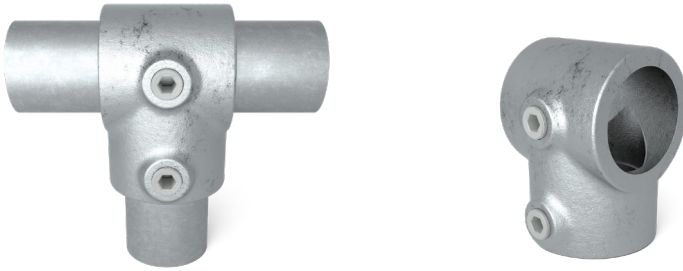
Galvanized steel is steel that has been coated with a protective layer of zinc, making it highly resistant to corrosion and giving it a longer service life. The wide range of tube fittings makes it possible to connect pipes to form a wide variety of structures, with efficiency, quality, and design being key considerations.

The use of Allen screws creates a very strong connection, while still allowing for quick and easy disassembly (sliding load 600 kg at a torque of 40 Nm).

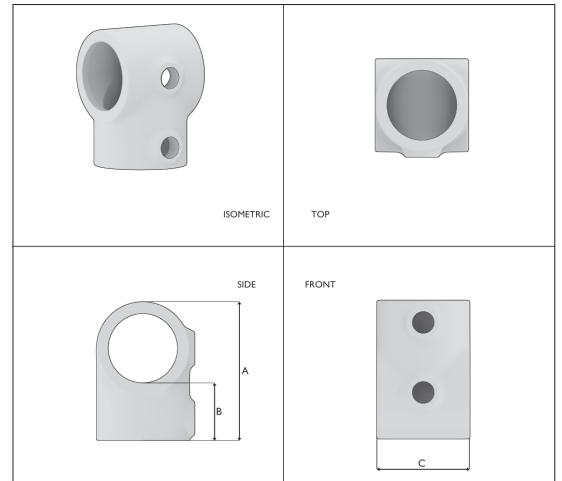


TYPE 2 | SHORT TEE

Provides a perpendicular connection between two tubes. Top fitting or straight and level railing uprights. This fitting cannot be used to join horizontal tube within the fitting.



Type	Int.Code	Size	A	B	C	BSP	Weight
608002A	101-T21	21,3mm (½")	51	24	32	1/8"	0,13 kg
608002B	101-A27	26,9mm (¾")	60	29	37	1/4"	0,20 kg
608002C	101-B34	33,7mm (1")	69	28	47	1/4"	0,30 kg
608002D	101-C42	42,4mm (1 ¼")	87	37	55	3/8"	0,44 kg
608002E	101-D48	48,3mm (1 ½")	98	43	60	3/8"	0,51 kg
608002F	101-E60	60,3mm (2")	121	49	73	3/8"	0,83 kg

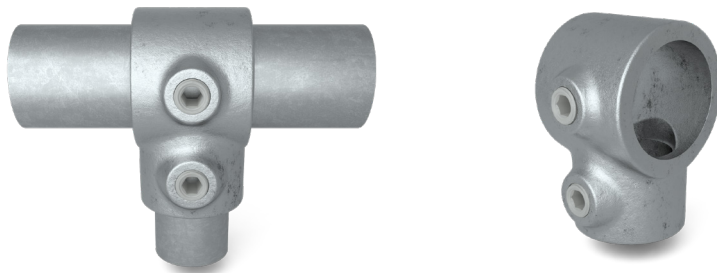


Number of items per box:

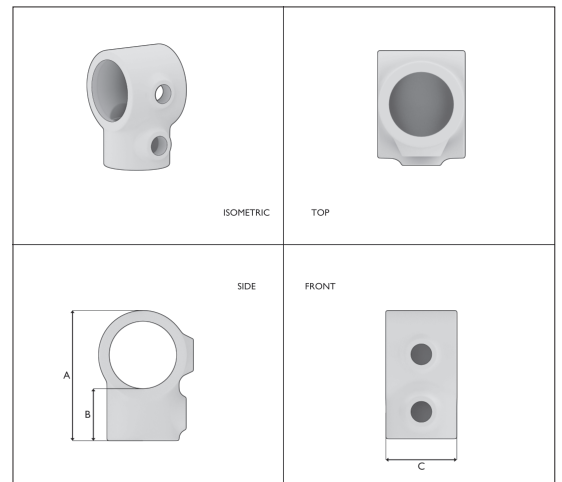
608002A: **140** - 608002B: **90** - 608002C: **55** - 608002D: **30** - 608002E: **20**
608002F: **10**

TYPE 2V | REDUCING SHORT TEE

Similar to Type 2. This version is used to connect uneven diameter with each other.



Type	Int.Code	Horizontal	Vertical	A	B	C	BSP	Weight
608002CB	101-B34/A27	33,7mm (1")	26,9mm (¾")	66	26	37	1/4"	0,22 kg
608002DC	101-C42/B34	42,4mm (1 ¼")	33,7mm (1")	87	35	46	1/4" & 3/8"	0,37 kg
608002DE	101-C42/D48	42,4mm (1 ¼")	48,3mm (1 ½")	103	51	60	3/8"	0,50 kg
608002ED	101-D48/C42	48,3mm (1 ½")	42,4mm (1 ¼")	93	38	55	3/8"	0,49 kg
608002FE	101-E60/D48	60,3mm (2")	48,3mm (1 ½")	111	43	60	3/8"	0,67 kg

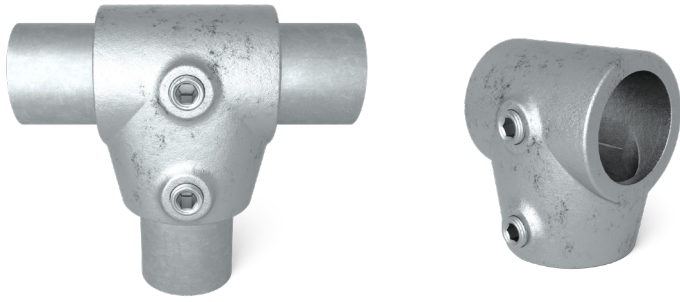


Number of items per box:

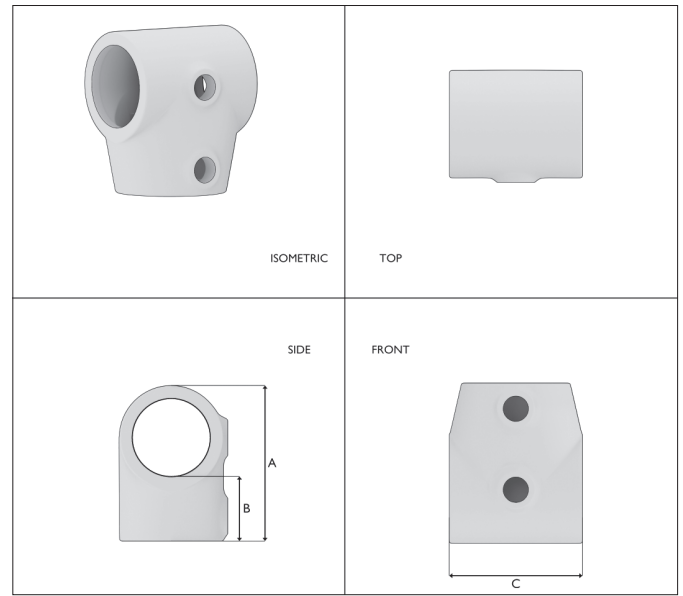
608002CB: **75** - 608002DC: **30** - 608002DE: **25** - 608002ED: **25** - 608002FE: **15**

TYPE 2S | SHORT SLOPE TEE - VARIABLE ANGLE 0°- 11°

Similar to Type 2, with a variable angle 0°- 11°



Type	Int.Code	Size	A	B	C	BSP	Weight
608002SC	I53-B34	33,7mm (1")	69	29	57	1/4"	0,36 kg
608002SD	I53-C42	42,4mm (1 1/4")	87	38	55	3/8"	0,51 kg
608002SE	I53-D48	48,3mm (1 1/2")	98	37	75	3/8"	0,65 kg

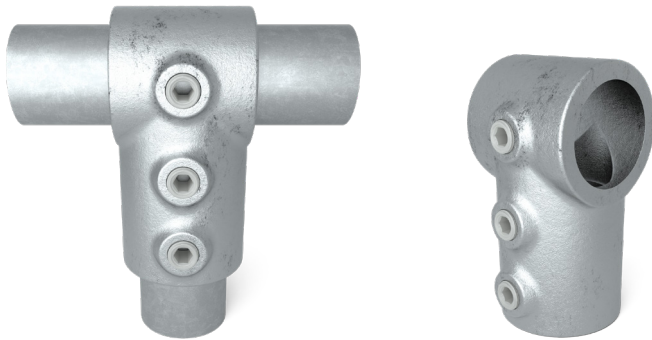


Number of items per box:

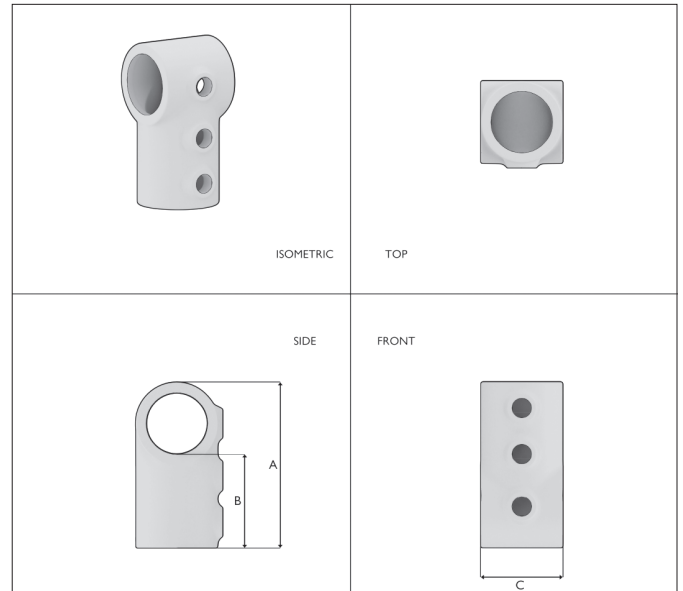
608002SC: 50 - 608002SD: 25 - 608002SE: 15

TYPE 2L | SHORT TEE, LONG

Same as Type 2 but longer, with three adjusting screws.



Type	Int.Code	Size	A	B	C	BSP	Weight
608002LC	I01L-B34	33,7mm (1")	93	47	46	1/4"	0,41 kg
608002LD	I01L-C42	42,4mm (1 1/4")	140	56	55	3/8"	0,56 kg

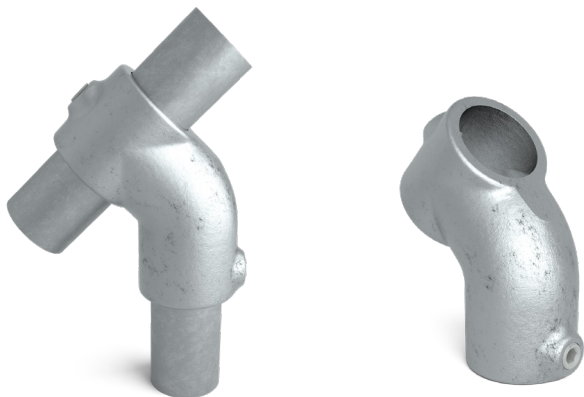


Number of items per box:

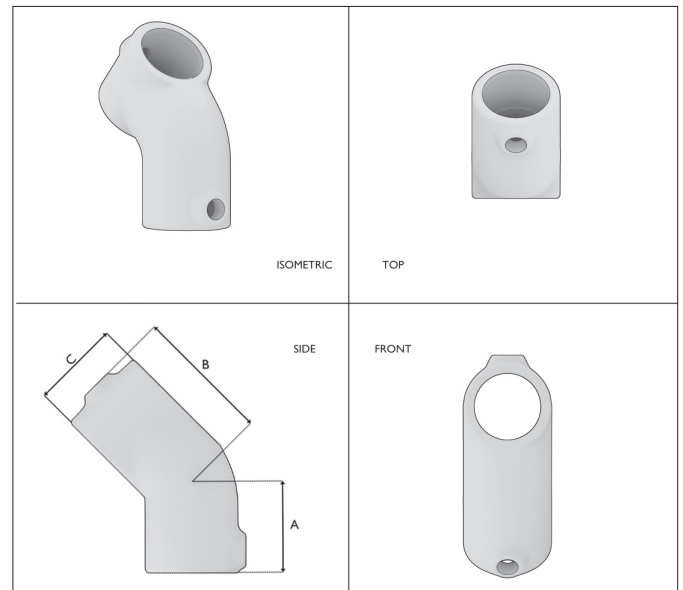
608002LC: 40 - 608002LD: 20

TYPE 3 | SHORT TEE 45°

Forms a connection between two tubes at an angle of 45°.



Type	Int.Code	Size	A	B	C	BSP	Weight
608003B	2844-A27	26,9mm (3/4")	37	58	35	1/4"	0,25 kg
608003C	2844-B34	33,7mm (1")	45	63	44	1/4"	0,40 kg
608003D	2844-C42	42,4mm (1 1/4")	55	68	55	3/8"	0,61 kg
608003E	2844-D48	48,3mm (1 1/2")	66	80	60	3/8"	0,74 kg
608003F	2844-E60	60,3mm (2")	78	68	73	3/8"	1,06 kg

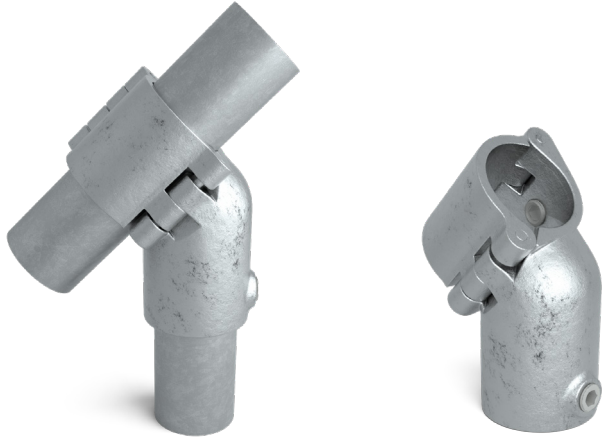


Number of items per box:

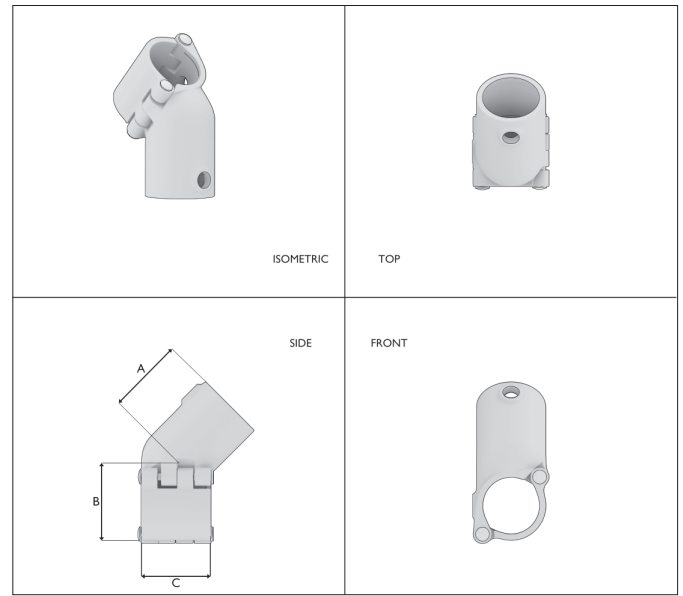
608003B: 80 - 608003C: 40 - 608003D: 25 - 608003E: 15 - 608003F: 8

TYPE 30 | OPENABLE SHORT TEE 45°

Openable Short Tee 45°. Forms a connection between two tubes at an angle of 45°



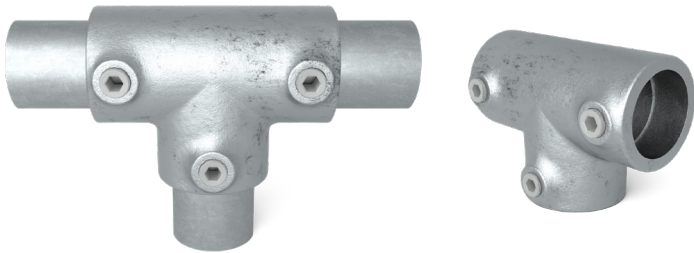
Type	Int.Code	Size	A	B	C	BSP	Weight
608003OE	284A-D	48,3mm (1½")	64	88	60	3/8"	0,96 kg



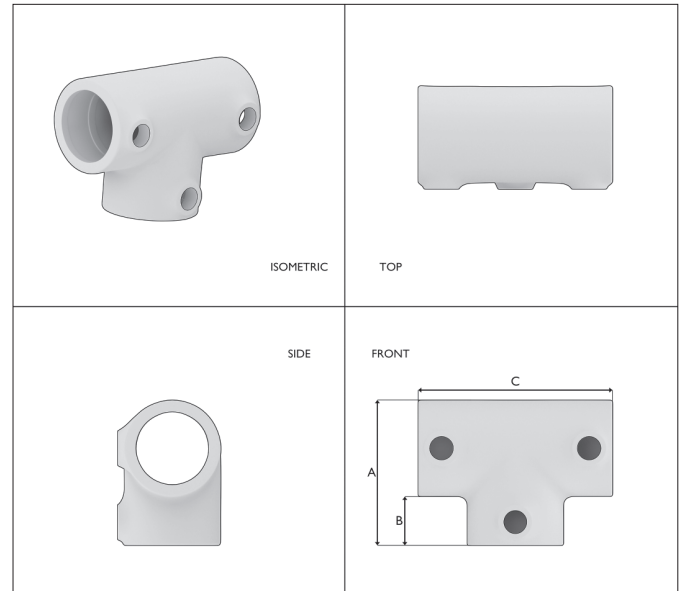
Number of items per box:
608003OE: 10

TYPE 4 | THREE SOCKET TEE

Similar to Type 2. This fitting can be used where a join is require in the horizontal tube.



Type	Int.Code	Size	A	B	C	BSP	Weight
608004B	104-A27	26,9mm (¾")	60	23	82	1/4"	0,33 kg
608004C	104-B34	33,7mm (1")	64	23	92	1/4"	0,46 kg
608004D	104-C42	42,4mm (1½")	87	33	120	3/8"	0,76 kg
608004E	104-D48	48,3mm (1½")	98	38	136	3/8"	0,96 kg
608004F	104-E60	60,3mm (2")	121	47	168	3/8"	1,55 kg



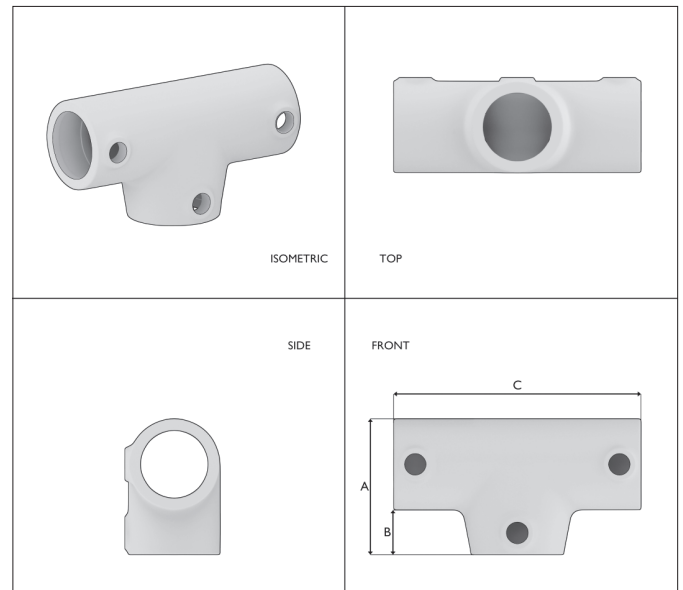
Number of items per box:
608004B: 50 - 608004C: 30 - 608004D: 15 - 608004E: 12 - 608004F: 6

TYPE 4S | THREE SOCKET TEE - VARIABLE ANGLE 0°- 11°

Similar to Type 4, with a variable angle 0°- 11°



Type	Int.Code	Size	A	B	C	BSP	Weight
608004SC	155-B34	33,7mm (1")	70	23	126	1/4"	0,65 kg
608004SD	155-C42	42,4mm (1½")	85	30	144	3/8"	0,90 kg
608004SE	155-D48	48,3mm (1½")	90	30	158	3/8"	1,09 kg



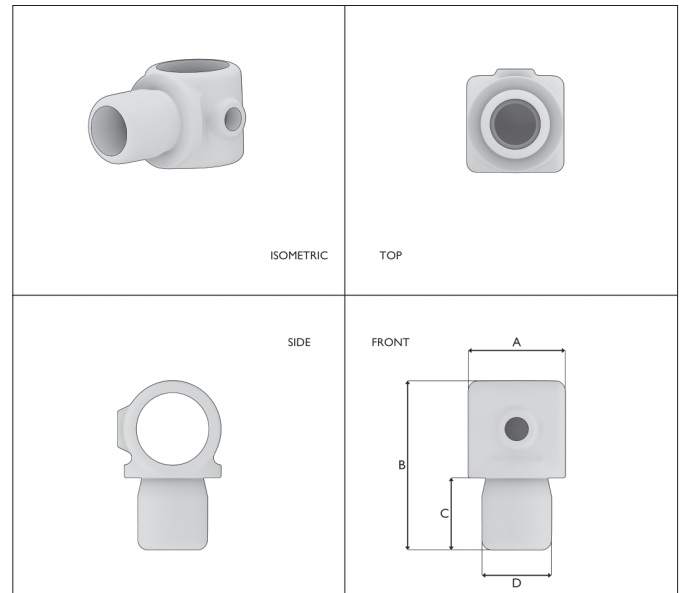
Number of items per box:
608004SC: 20 - 608004SD: 12 - 608004SE: 12

TYPE 5 | SWIVEL TEE

Male spigot may be secured within another fitting for variable angles in hand railings for staircases, ramps and similar structures.



Type	Int.Code	Size	A	B	C	D	BSP	Weight
608005C	I47-B34	33,7mm (1")	46	74	29	33	1/4"	0,30 kg
608005D	I47-C42	42,4mm (1 1/4")	55	95	40	42	3/8"	0,44 kg
608005E	I47-D48	48,3mm (1 1/2")	61	101	41	48	3/8"	0,54 kg

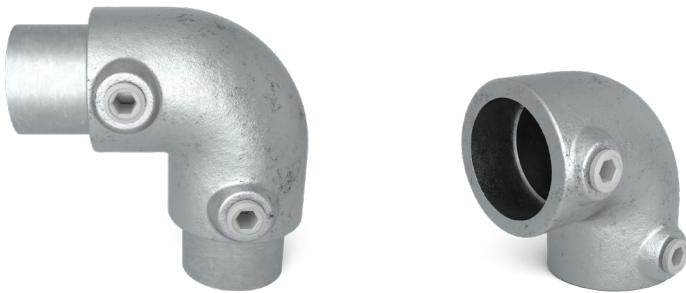


Number of items per box:

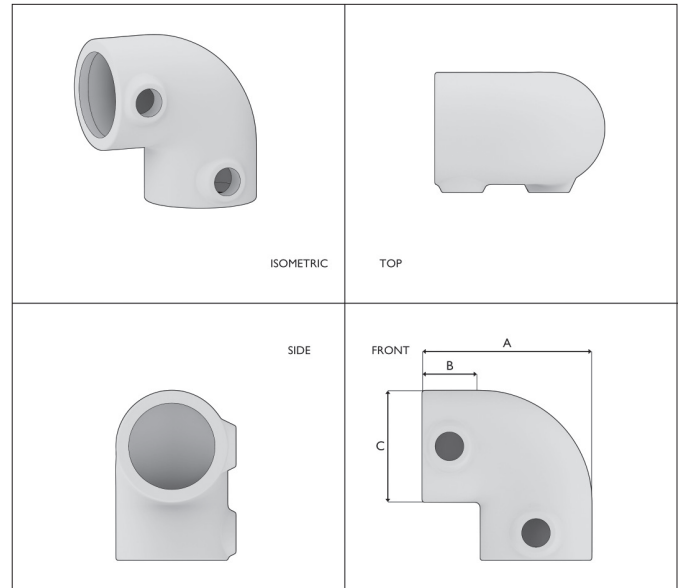
608005C: **65** - 608005D: **35** - 608005E: **25**

TYPE 6 | ELBOW 90°

Elbow joint fitting (90°) used as an end fitting on the top rail.



Type	Int.Code	Size	A	B	C	BSP	Weight
608006A	I25-T21	21,3mm (1/2")	50	19	32	1/8"	0,13 kg
608006B	I25-A27	26,9mm (3/4")	60	22	37	1/4"	0,20 kg
608006C	I25-B34	33,7mm (1")	69	22	45	1/4"	0,30 kg
608006D	I25-C42	42,4mm (1 1/4")	87	32	55	3/8"	0,44 kg
608006E	I25-D48	48,3mm (1 1/2")	98	35	60	3/8"	0,51 kg
608006F	I25-E60	60,3mm (2")	122	44	73	3/8"	0,83 kg

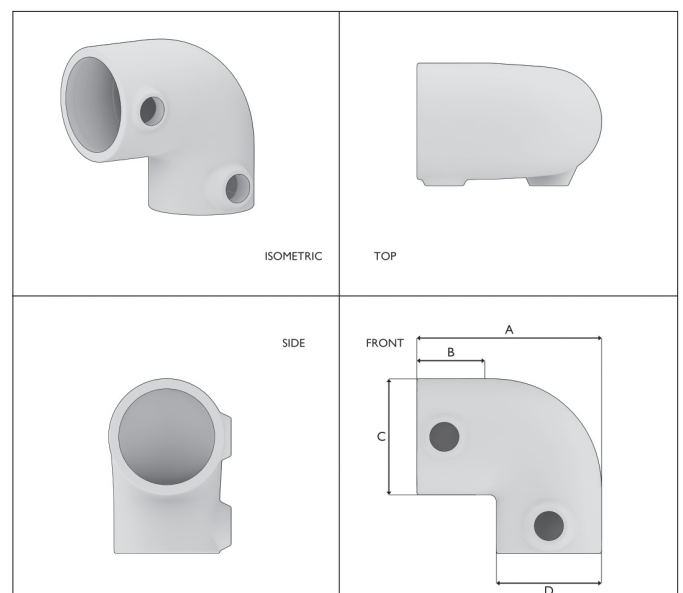


Number of items per box:

608006A: **120** - 608006B: **80** - 608006C: **50** - 608006D: **25** - 608006E: **20** - 608006F: **10**

TYPE 6V | ELBOW 90° - 48,3 & 42,4 MM

Same tube fitting as type 6, but with this tube fitting you can build structures from two different tube diameters.



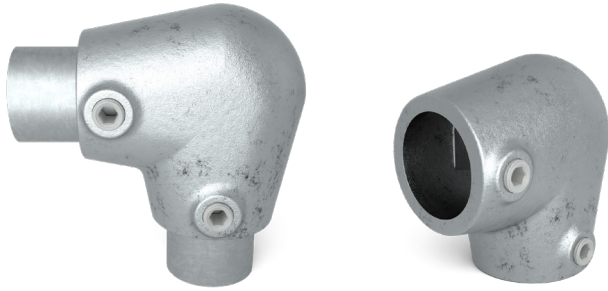
Number of items per box:

608006ED: **30**

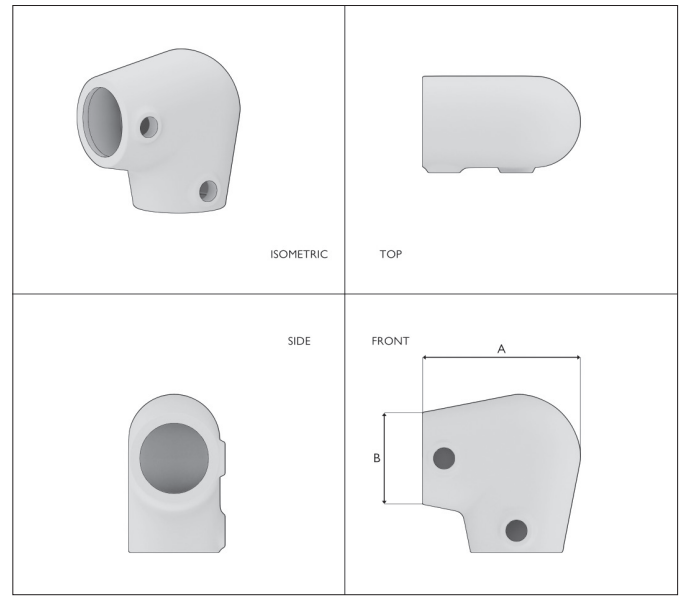
Type	Int.Code	Horizontal	Vertical	A	B	C	D	BSP	Weight
608006ED	I25-D48/C42	48,3mm (1 1/2")	42,4mm (1 1/4")	95	35	60	55	3/8"	0,68 kg

TYPE 6S | SLOPE ELBOW 90° - VARIABLE ANGLE 0°- 11°

Similar to Type 6, with a variable angle 0°- 11°



Type	Int.Code	Size	A	B	BSP	Weight
608006SC	154-B34	33,7mm (1")	81	47	1/4"	0,48 kg
608006SD	154-C42	42,4mm (1 1/4")	100	56	3/8"	0,71 kg
608006SE	154-D48	48,3mm (1 1/2")	107	62	3/8"	0,83 kg

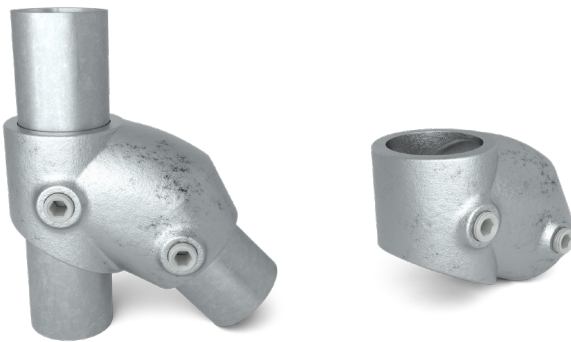


Number of items per box:

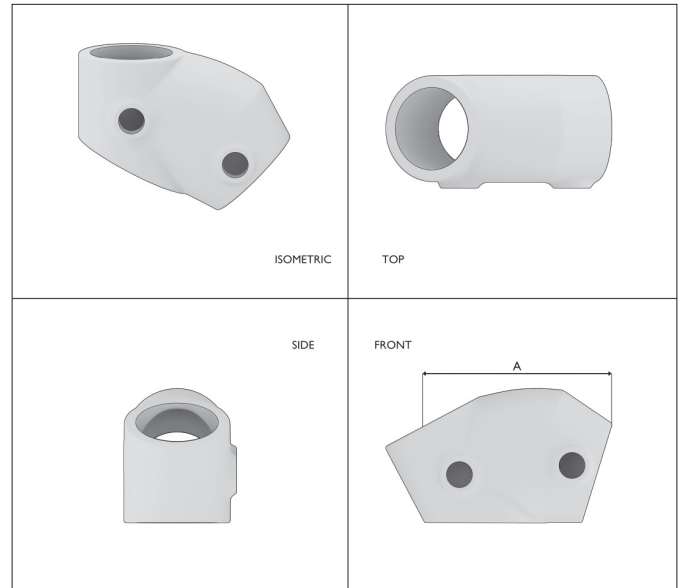
608006SC: 35 - 608006SD: 30 - 608006SE: 25

TYPE 7 | ADJUSTABLE SHORT

This adjustable angle clamp is used to join tubes between 30° and 60°. Use for diagonal braces, struts and an angled top rail joint to vertical posts on stairs.



Type	Int.Code	Size	A	BSP	Weight
608007B	129-A27	26,9mm (3/4")	73	1/4"	0,27 kg
608007C	129-B34	33,7mm (1")	73	1/4"	0,40 kg
608007D	129-C42	42,4mm (1 1/4")	89	3/8"	0,63 kg
608007E	129-D48	48,3mm (1 1/2")	102	3/8"	0,71 kg



Number of items per box:

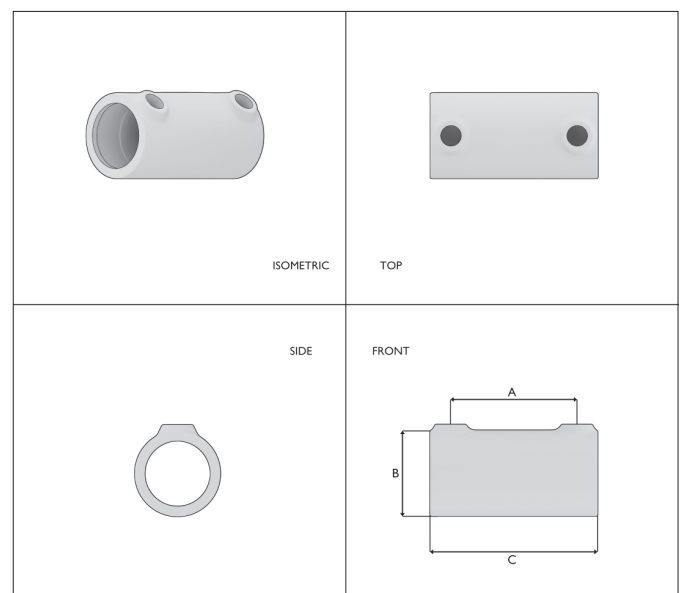
608007B: 50 - 608007C: 40 - 608007D: 25 - 608007E: 15

TYPE 8 | STRAIGHT COUPLING

Joint clamp for tubes of the same diameter. Do not use for heavy vertical loads. Alternative clamp is Type 9 used as an internal spigot.



Type	Int.Code	Size	A	B	C	BSP	Weight
608008B	149-A27	26,9mm (3/4")	54	37	76	1/4"	0,22 kg
608008C	149-B34	33,7mm (1")	67	46	89	1/4"	0,38 kg
608008D	149-C42	42,4mm (1 1/4")	74	55	102	3/8"	0,52 kg
608008E	149-D48	48,3mm (1 1/2")	70	60	102	3/8"	0,57 kg
608008F	149-E60	60,3mm (2")	91	73	123	3/8"	0,99 kg

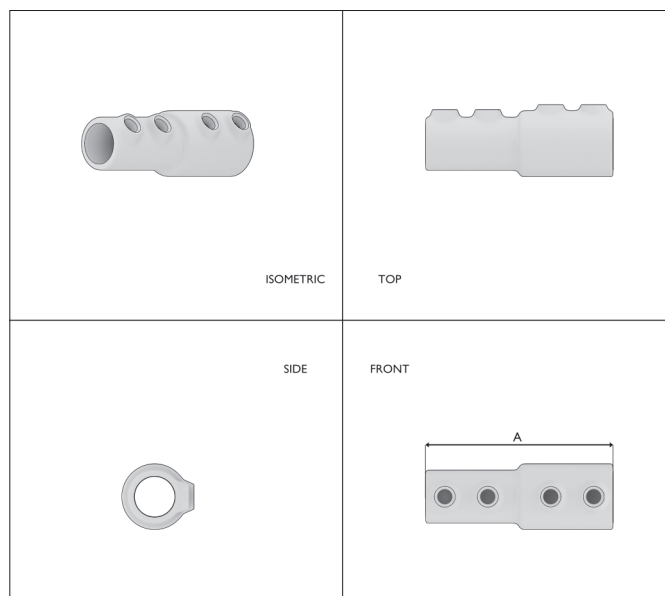
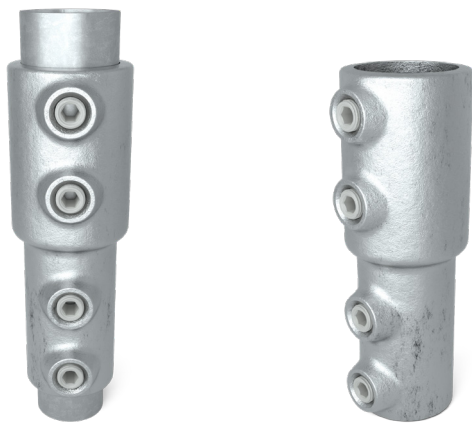


Number of items per box:

608008B: 80 - 608008C: 45 - 608008D: 30 - 608008E: 25 - 608008F: 15

TYPE 8V | REDUCING STRAIGHT COUPLING

Joint clamp for tubes of the uneven diameter.



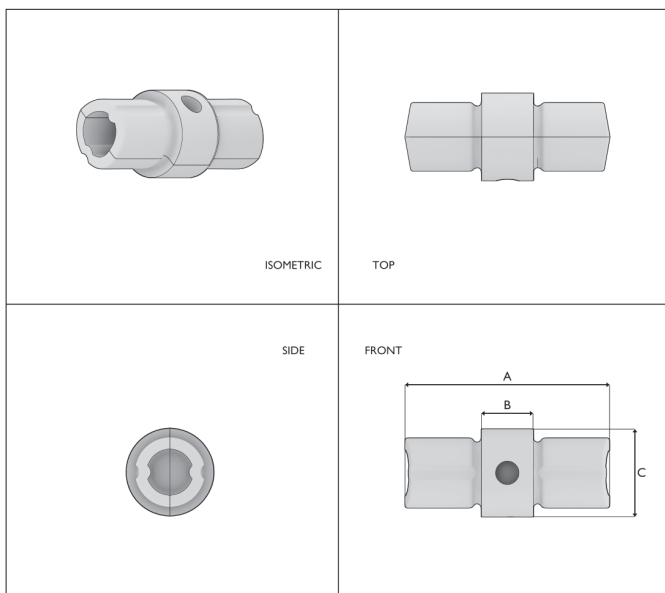
Type	Int.Code	Size A	Size B	A	BSP	Weight
608008CB	I49-B34/A27	26,9mm (3/4")	33,7mm (1")	131	1/4"	0,52 kg

Number of items per box:

608008CB: 40

TYPE 9 | INTERNAL COUPLING (SET)

A streamlined flush joint in to tubes of the same size. Wall thickness must be 3.2 mm. Do not apply direct loads to this joint.



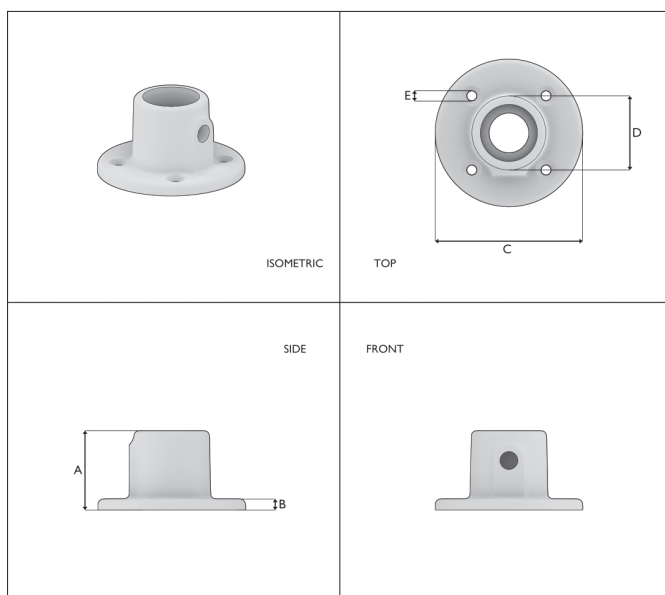
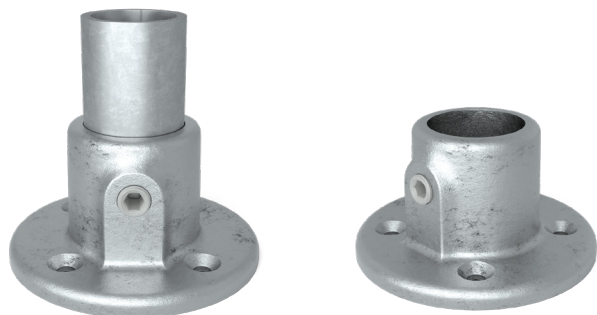
Type	Int.Code	Size	A	B	C	BSP	Weight
608009B	150-A27	26,9mm (3/4")	76	22	26	1/4"	0,11 kg
608009C	150-B34	33,7mm (1")	75	19	26	1/4"	0,21 kg
608009D	150-C42	42,4mm (1 1/4")	75	19	35	3/8"	0,34 kg
608009E	150-D48	48,3mm (1 1/2")	75	19	40	3/8"	0,23 kg

Number of items per box:

608009B: 150 - 608009C: 100 - 608009D: 65 - 608009E: 50

TYPE 10 | FLANGE

This clamp is used on structures where positional fixing is required.



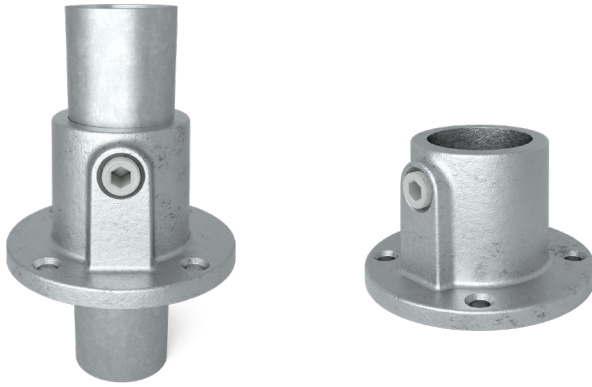
Type	Int.Code	Size	A	B	C	D	E	BSP	Weight
608010A	I31-T21	21,3mm (1/2")	32	6	74	30	6,5	1/8"	0,23 kg
608010B	I31-A27	26,9mm (3/4")	40	7	80	38	6,5	1/4"	0,27 kg
608010C	I31-B34	33,7mm (1")	48	7	90	46	6,5	1/4"	0,42 kg
608010D	I31-C42	42,4mm (1 1/4")	51	7	102	54	6,5	3/8"	0,43 kg
608010E	I31-D48	48,3mm (1 1/2")	59	8	114	60	6,5	3/8"	0,63 kg
608010F	I31-E60	60,3mm (2")	64	10	127	73	10	3/8"	1,12 kg

Number of items per box:

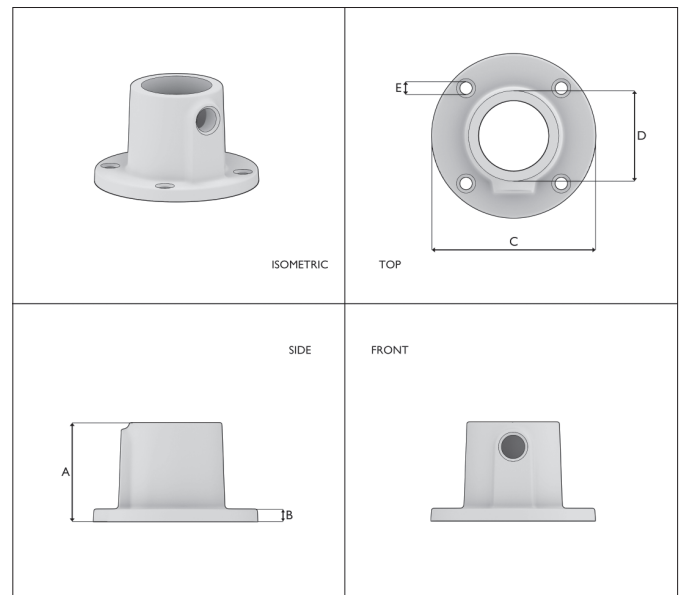
608010A: 115 - 608010B: 55 - 608010C: 40 - 608010D: 35 - 608010E: 20 - 608010F: 15

TYPE 10T | ROUND BASE PLATE OPEN

This tubefitting is suitable for constructions where the tube has to run through. Suitable for the use of e.g. intermediate shelves.



Type	Int.Code	Size	A	B	C	D	E	BSP	Weight
608010TA	I31TX-T21	21,3mm (½")	32	4	64	35	6	1/8"	0,18 kg
608010TB	I31TX-A27	26,9mm (¾")	42	4	70	38	6,1	1/4"	0,23 kg
608010TC	I31TX-B34	33,7mm (1")	48	6	80	46	6,5	1/4"	0,42 kg
608010TD	I31TX-C42	42,4mm (1¼")	55	6	100	53	6,5	3/8"	0,51 kg

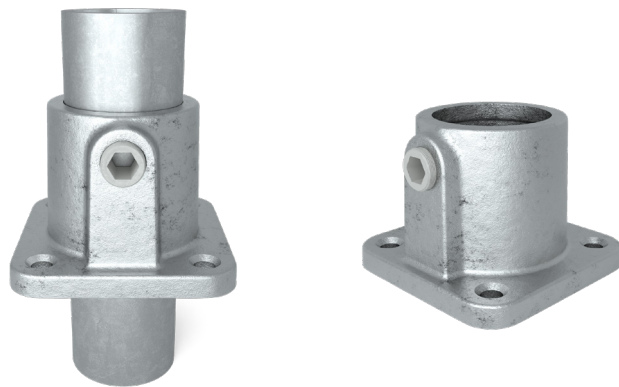


Number of items per box:

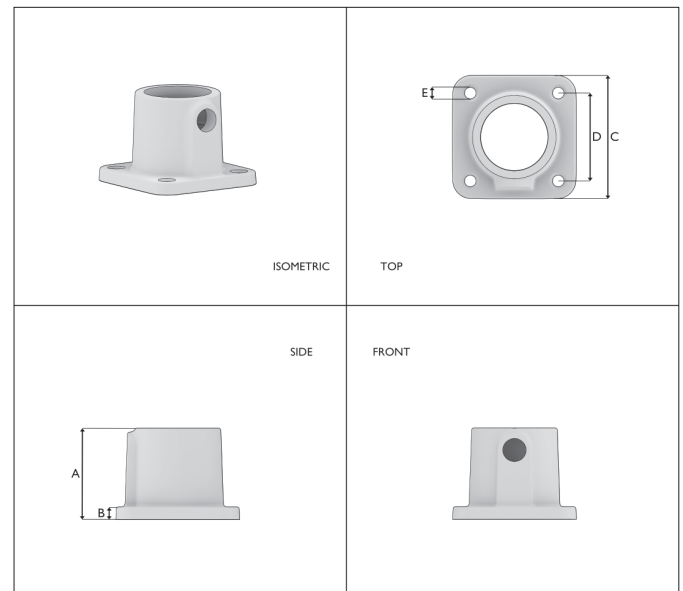
608010TA: 110 - 608010TB: 70 - 608010TC: 40 - 608010TD: 25

TYPE 11 | SQUARE BASE PLATE OPEN

Use this tubefitting for positioning constructions. Due to the shape of the base plate, it can be fixed nicely on a surface at a 90° angle.



Type	Int.Code	Size	A	B	C	D	E	BSP	Weight
608011A	F131-T21	21,3mm (½")	32	4	51	35	6,5	1/8"	0,15 kg
608011B	F131-A27	26,9mm (¾")	42	4	55	40	6,5	1/4"	0,21 kg
608011C	F131-B34	33,7mm (1")	48	7	65	46	6,5	1/4"	0,34 kg
608011D	F131-C42	42,4mm (1¼")	55	7	77	57	8	3/8"	0,47 kg
608011E	F131-D48	48,3mm (1½")	59	8	86	63	8	3/8"	0,64 kg
608011F	F131-E60	60,3mm (2")	64	8	95	67	10,2	3/8"	0,83 kg

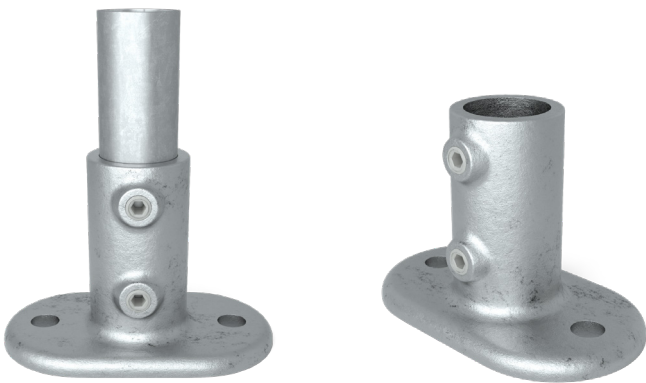


Number of items per box:

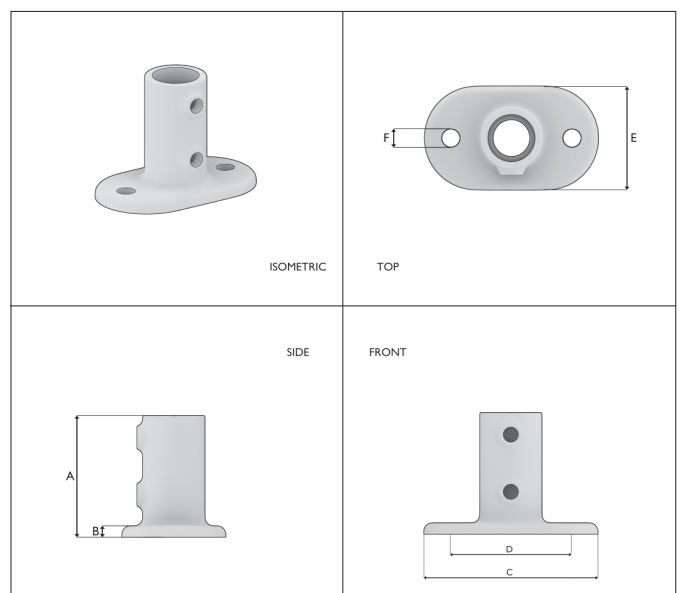
608011A: 130 - 608011B: 85 - 608011C: 45 - 608011D: 30 - 608011E: 20 - 608011F: 15

TYPE 12 | RAILING BASE FLANGE

Strong baseplate to support vertical post. Vertical wide rib with two setscrews increases the strength of the clamp. The fixing holes in the base flange should be in line with the applied load.



Type	Int.Code	Size	A	B	C	D	E	F	BSP	Weight
608012B	I32-A27	26,9mm (¾")	76	8	116	76	64	11	1/4"	0,60 kg
608012C	I32-B34	33,7mm (1")	89	8	128	89	76	14	1/4"	0,81 kg
608012D	I32-C42	42,4mm (1¼")	89	10	140	102	75	14	3/8"	1,02 kg
608012E	I32-D48	48,3mm (1½")	89	10	155	115	85	14	3/8"	1,25 kg
608012F	I32-E60	60,3mm (2")	127	10	165	127	102	18	3/8"	1,94 kg



Number of items per box:

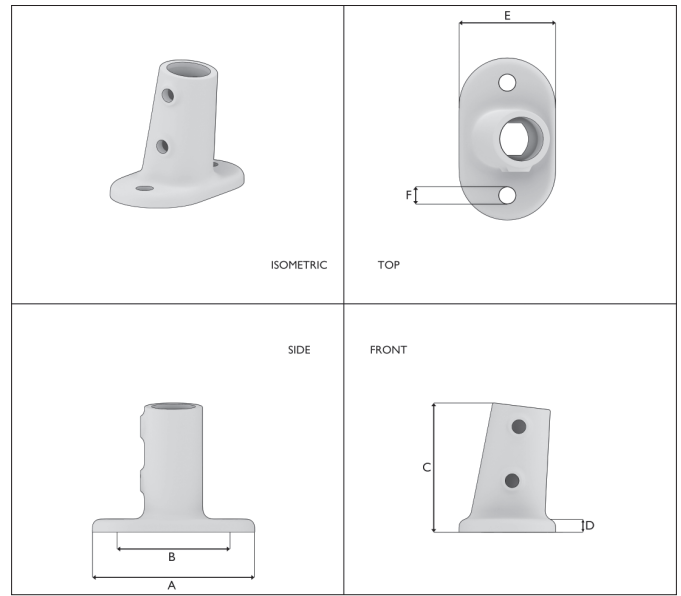
608012B: 30 - 608012C: 20 - 608012D: 15 - 608012E: 10 - 608012F: 8

TYPE 12S | RAILING BASE FLANGE - VARIABLE ANGLE 0°- 11°

Similar to Type 12, with a variable angle 0°- 11°



Type	Int.Code	Size	A	B	C	D	E	F	BSP	Weight
608012SC	152-B34	33,7mm (1")	70	23	47	70	23	14	1/4"	0,65 kg
608012SD	152-C42	42,4mm (1 1/4")	85	30	55	85	30	14	3/8"	0,90 kg
608012SE	152-D48	48,3mm (1 1/2")	90	30	60	90	30	14	3/8"	1,09 kg

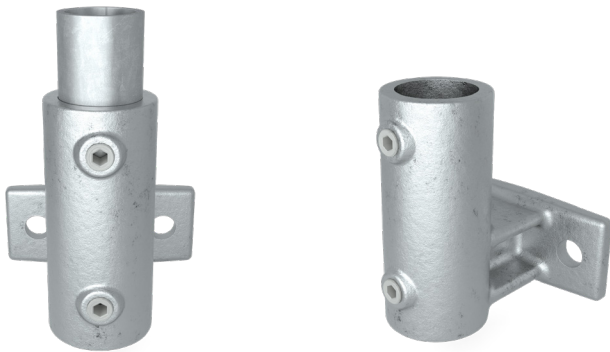


Number of items per box:

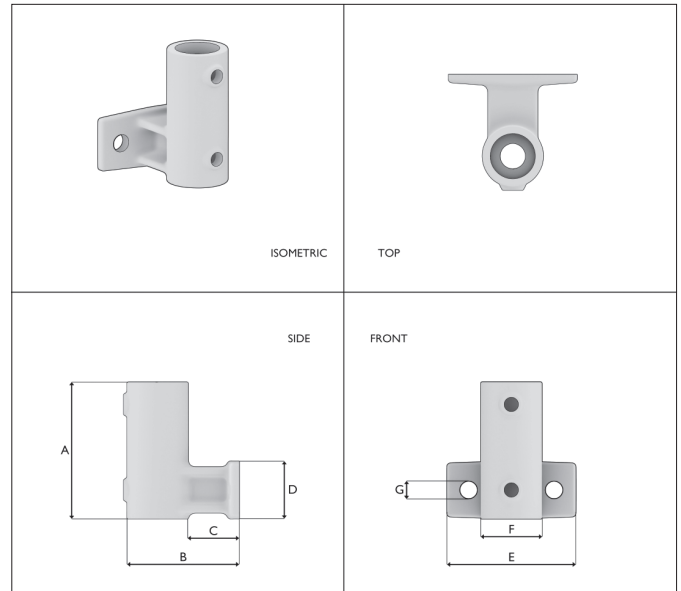
608012SC: 15 - 608012SD: 15 - 608012SE: 14

TYPE 13 | HORIZONTAL BASE RAILING SUPPORT

Side-mounting clamp for vertical posts. Tube cannot pass through this clamp. Designed for palm fixing guard railings and balustrades to walls, parapets, steps and ramps.



Type	Int.Code	Size	A	B	C	D	E	F	G	BSP	Weight
608013C	145-B34	33,7mm (1")	104	88	39	44	98	47	11,3	1/4"	0,65 kg
608013D	145-C42	42,4mm (1 1/4")	114	94	37	50	108	55	14,8	3/8"	0,90 kg
608013E	145-D48	48,3mm (1 1/2")	121	103	40	58	121	60	14,8	3/8"	1,09 kg



Number of items per box:

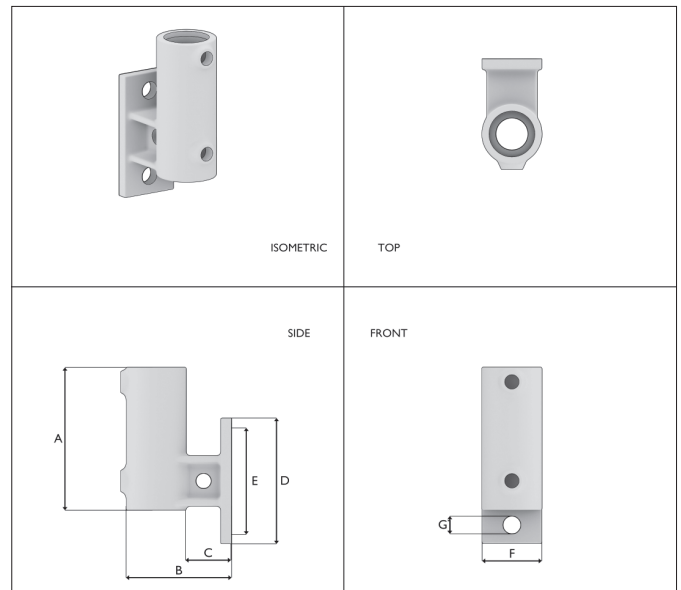
608013C: 15 - 608013D: 12 - 608013E: 10

TYPE 14 | VERTICAL BASE RAILING SUPPORT

Similar to Type 13, this applies even more to Type 13.



Type	Int.Code	Size	A	B	C	D	E	F	G	BSP	Weight
608014C	144-B34	33,7mm (1")	108	80	28	95	67	45	14	1/4"	0,80 kg
608014D	144-C42	42,4mm (1 1/4")	114	91	37	108	72	50	14	3/8"	1,10 kg
608014E	144-D48	48,3mm (1 1/2")	121	100	40	121	89	58	14	3/8"	1,38 kg

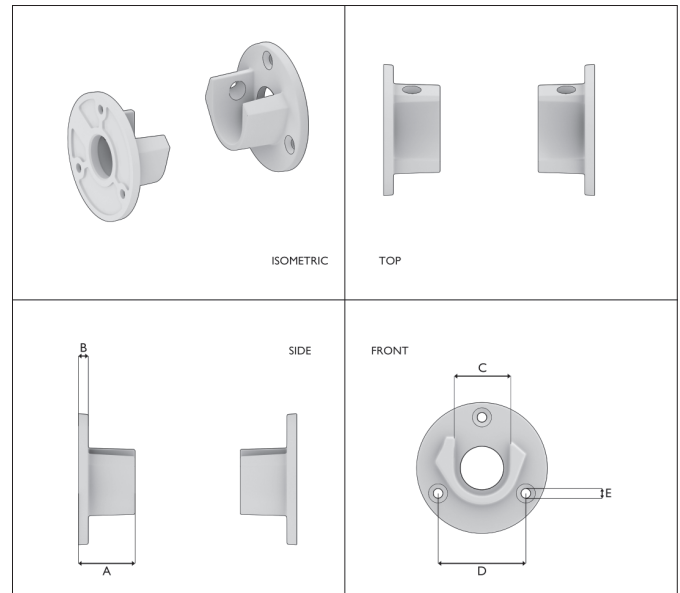
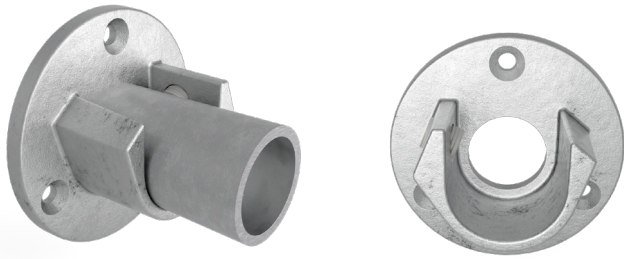


Number of items per box:

608014C: 20 - 608014D: 14 - 608014E: 10

TYPE 15 | ROUND BASE PLATE WITH INLAY (SET)

Excellently suitable as rod holder. Supplied as a set (left and right version). After you have placed the round foot plates, you can simply insert the tube. Also suitable for temporary removal of a passageway, where the tube can be removed easily and quickly.

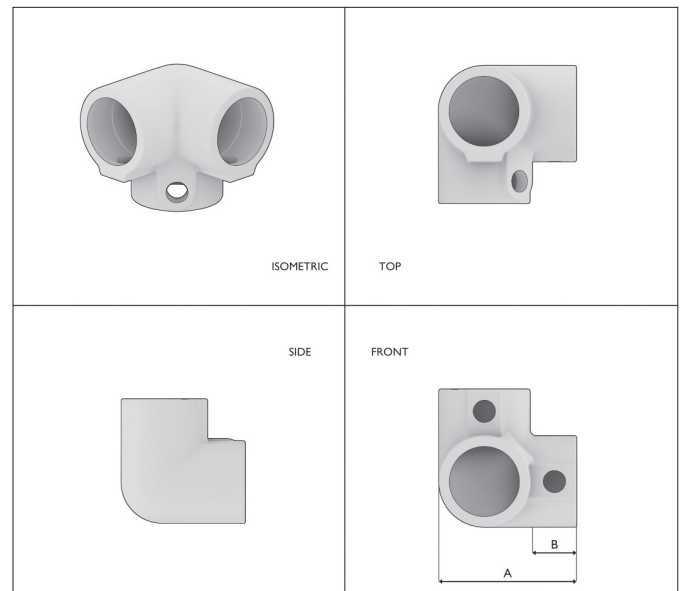
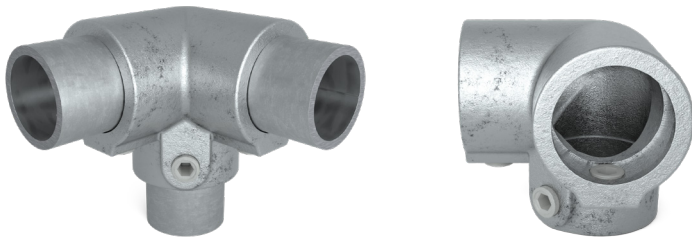


Type	Int.Code	Size	A	B	C	D	E	BSP	Weight
608015B-RH	U131-A27	26,9mm (3/4")	32	4	30	49	6,5	1/4"	0,39 kg
608015C-RH	U131-B34	33,7mm (1")	36	6	37	56	6,5	1/4"	0,78 kg

Number of items per box:
608015B: 45 - 608015C: 25

TYPE 18 | THREE WAY TOP CORNER 90°

Corner joint (90°) clamp used for top rail corners and any other rectangular system.

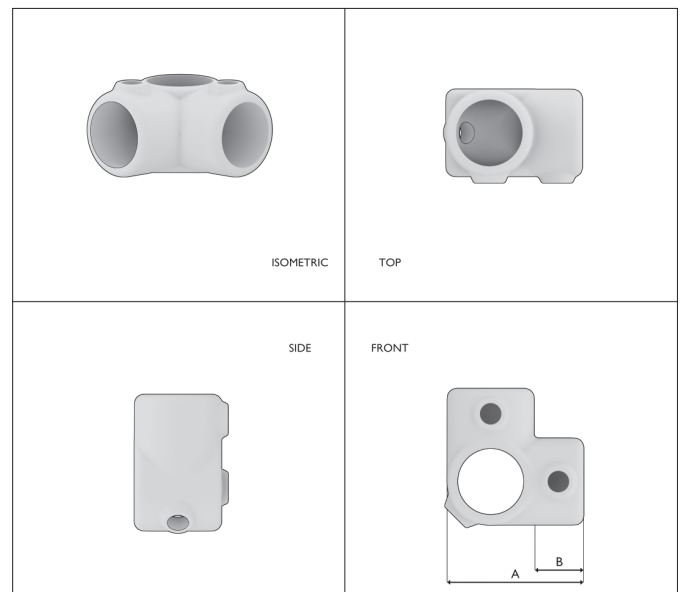


Type	Int.Code	Size	A	B	BSP	Weight
608018A	I28-T21	21,3mm (1/2")	50	19	1/8"	0,26 kg
608018B	I28-A27	26,9mm (3/4")	60	21	1/4"	0,38 kg
608018C	I28-B34	33,7mm (1")	69	22	1/4"	0,46 kg
608018D	I28-C42	42,4mm (1 1/4")	87	28	3/8"	0,87 kg
608018E	I28-D48	48,3mm (1 1/2")	98	35	3/8"	1,02 kg
608018F	I28-E60	60,3mm (2")	120	45	3/8"	1,88 kg

Number of items per box:
608018A: 75 - 608018B: 50 - 608018C: 30 - 608018D: 15 - 608018E: 10 - 608018F: 6

TYPE 20 | CORNER WITH THROUGH TUBE

Often used on intermediate rail corners to match Type 18, tube passes through the clamp.

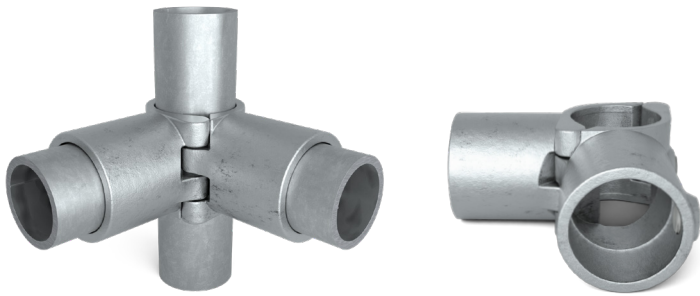


Type	Int.Code	Size	A	B	BSP	Weight
608020A	I16-T21	21,3mm (1/2")	50	19	1/8"	0,17 kg
608020B	I16-A27	26,9mm (3/4")	60	22	1/4"	0,27 kg
608020C	I16-B34	33,7mm (1")	69	22	1/4"	0,39 kg
608020D	I16-C42	42,4mm (1 1/4")	87	32	3/8"	0,58 kg
608020E	I16-D48	48,3mm (1 1/2")	98	38	3/8"	0,69 kg
608020F	I16-E60	60,3mm (2")	122	48	3/8"	1,25 kg

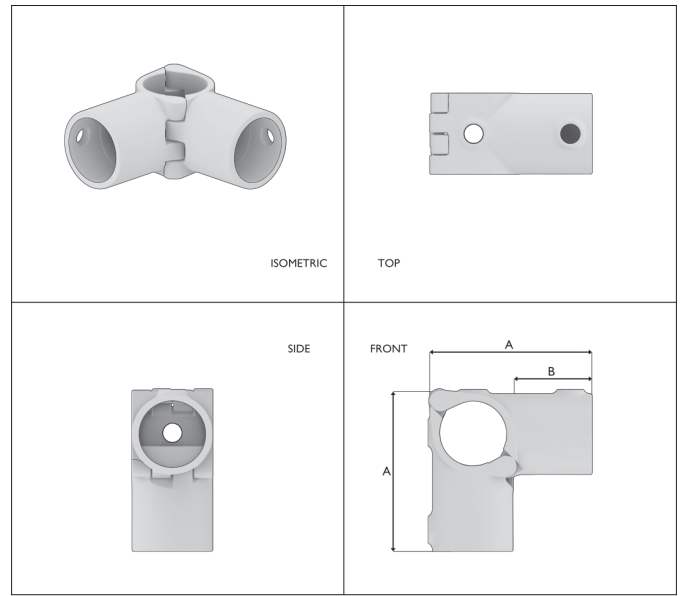
Number of items per box:
608020A: 100 - 608020B: 65 - 608020C: 35 - 608020D: 20 - 608020E: 15 - 608020F: 8

TYPE 200 | ADD-ON CORNER WITH TROUGH TUBE 90°

Often used on intermediate rail corners to match Type 18, tube passes through the clamp.



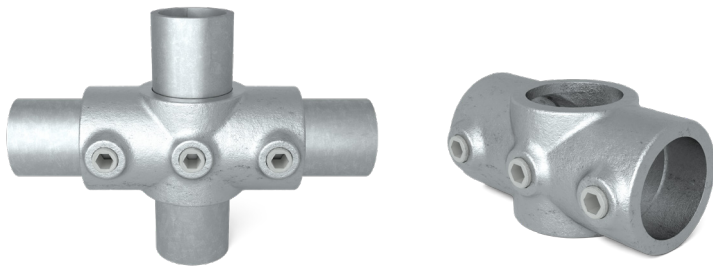
Type	Int.Code	Size	A	B	BSP	Weight
608020OE	I16A-D48	60,3mm (2")	121	61	3/8"	1,10 kg



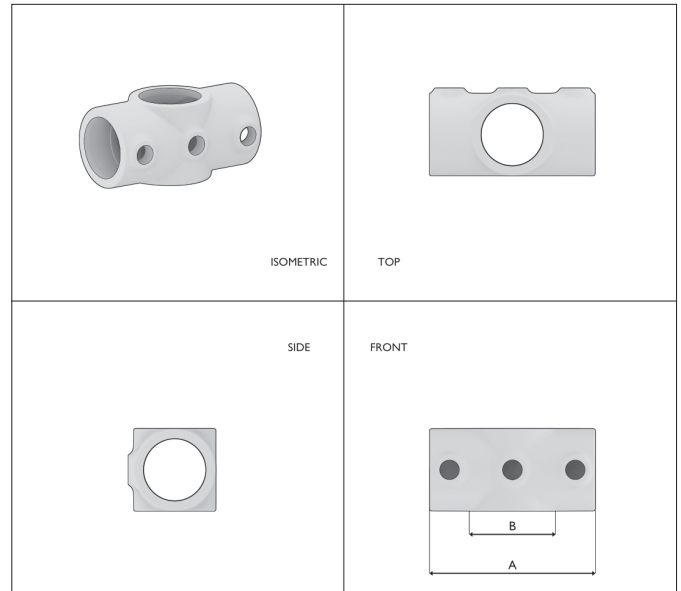
Number of items per box:
608020OE: **10**

TYPE 22 | TWO SOCKET CROSS

90° joint clamp between the middle rail and an upright on railings.



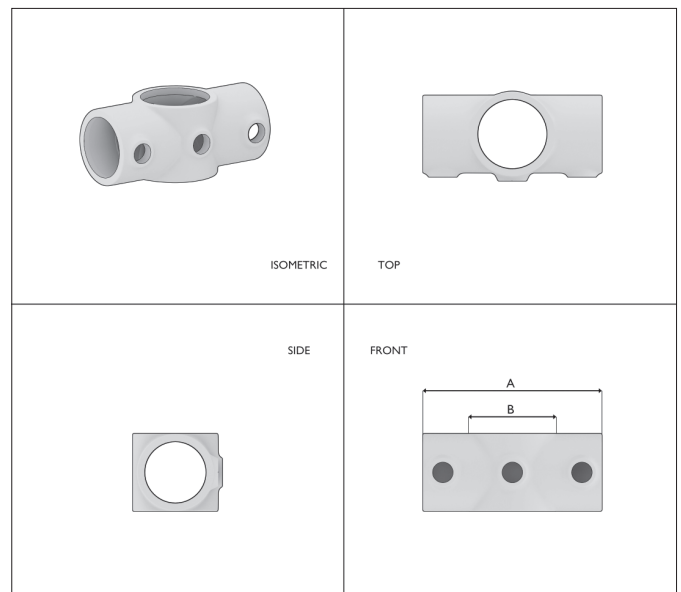
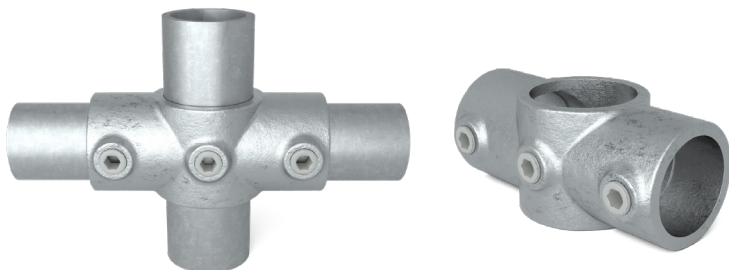
Type	Int.Code	Size	A	B	BSP	Weight
608022A	I19-T21	21,3mm (½")	68	30	1/8"	0,17 kg
608022B	I19-A27	26,9mm (¾")	81	35	1/4"	0,26 kg
608022C	I19-B34	33,7mm (1")	92	48	1/4"	0,38 kg
608022D	I19-C42	42,4mm (1½")	120	58	3/8"	0,62 kg
608022E	I19-D48	48,3mm (1½")	136	61	3/8"	0,71 kg
608022F	I19-E60	60,3mm (2")	172	96	3/8"	1,22 kg



Number of items per box:
608022A: **100** - 608022B: **70** - 608022C: **40** - 608022D: **20** - 608022E: **15** - 608022F: **8**

TYPE 22V | TWO SOCKET CROSS - GRADIENT

Two Socket Cross. 90° joint clamp between the middle rail and an upright on railings.

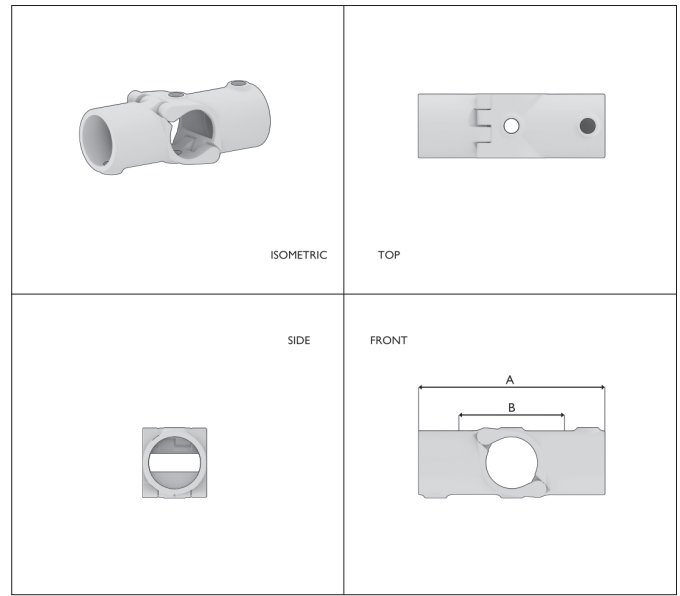
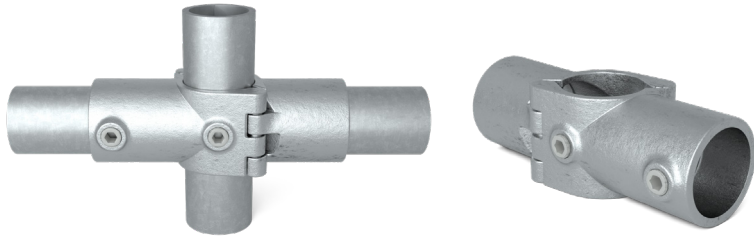


Number of items per box:
608022DE: **25**

Type	Int.Code	Horizontal	Vertical	A	B	BSP	Weight
608022DE	I19-C42/D48	42,4mm (1½")	48,3mm (1½")	126	62	3/8"	0,60 kg

TYPE 220 | ADD-ON TWO SOCKET CROSS

Collapsible 90° joint clamp between the middle rail and an upright on railings.

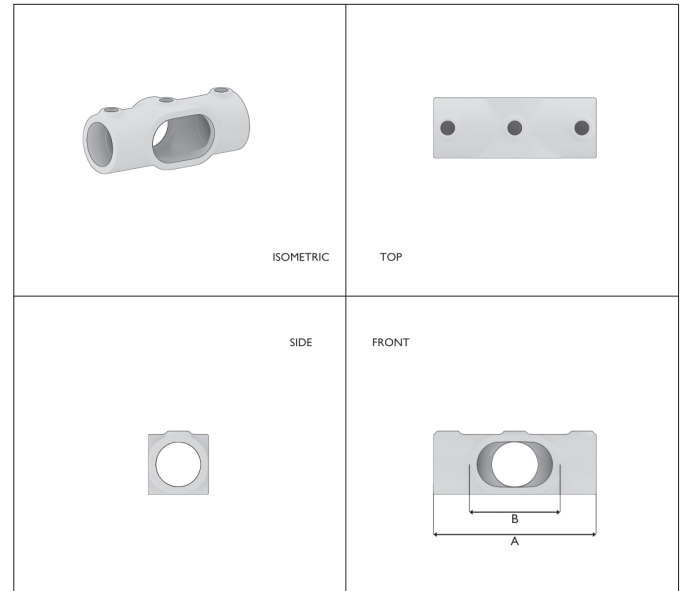
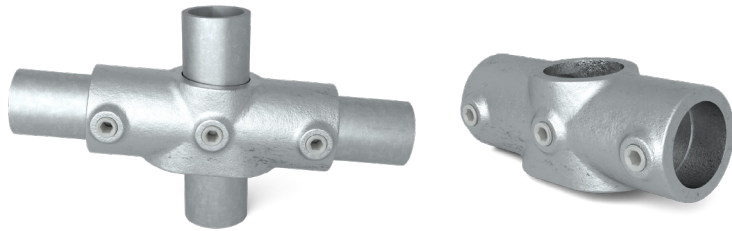


Type	Int.Code	Size	A	B	BSP	Weight
608022OE	116A-D48	48,3mm (1½")	121	82	3/8"	1,10 kg

Number of items per box:
608022OE: 10

TYPE 22S | TWO SOCKET SLOPE CROSS 0° - 11°

Variable joint clamp between the middle rail and an upright on railings angles between 0° and 11°.

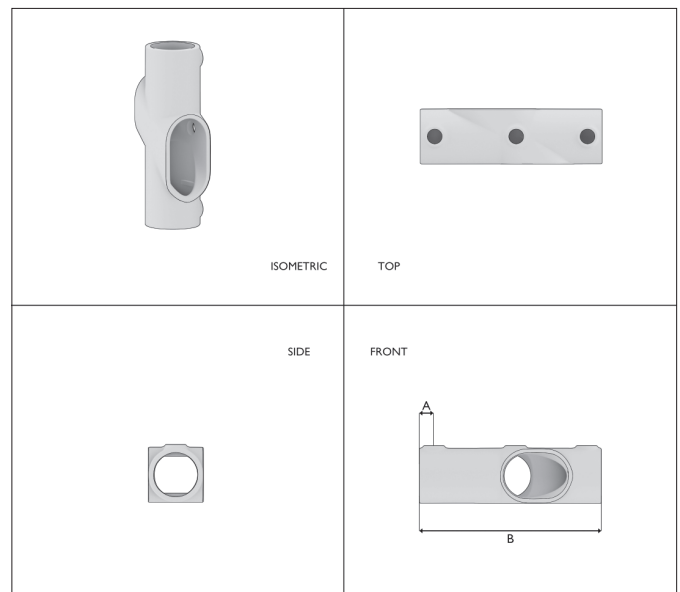
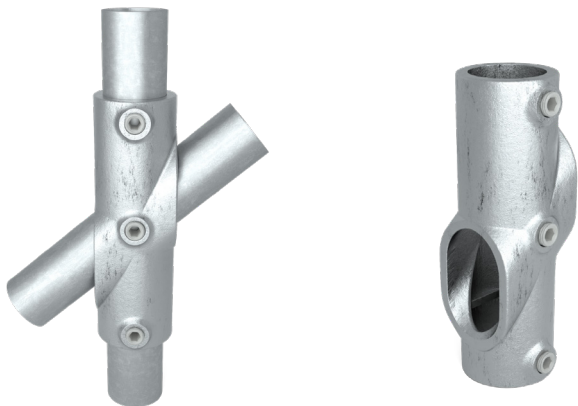


Type	Int.Code	Size	A	B	BSP	Weight
608022SC	156-B34	33,7mm (1")	126	59	1/4"	0,54 kg
608022SD	156-C42	42,4mm (1¼")	144	65	3/8"	0,71 kg
608022SE	156-D48	48,3mm (1½")	158	75	3/8"	0,81 kg

Number of items per box:
608022SC: 30 - 608022SD: 20 - 608022SE: 15

TYPE 23 | ADJUSTABLE TWO SOCKET CROSS 30°- 45°

This variable angled clamp may be used at any selected angle between 30° and 45°. Type 7 can be used for the top rail.

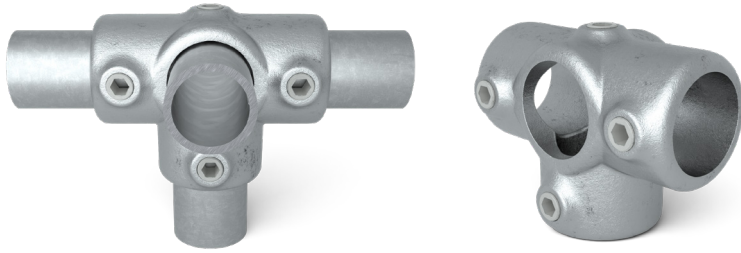


Type	Int.Code	Size	A	B	BSP	Weight
608023C	130-B34	33,7mm (1")	11	146	1/4"	0,65 kg
608023D	130-C42	42,4mm (1¼")	14	178	3/8"	0,90 kg
608023E	130-D48	48,3mm (1½")	14	216	3/8"	1,09 kg

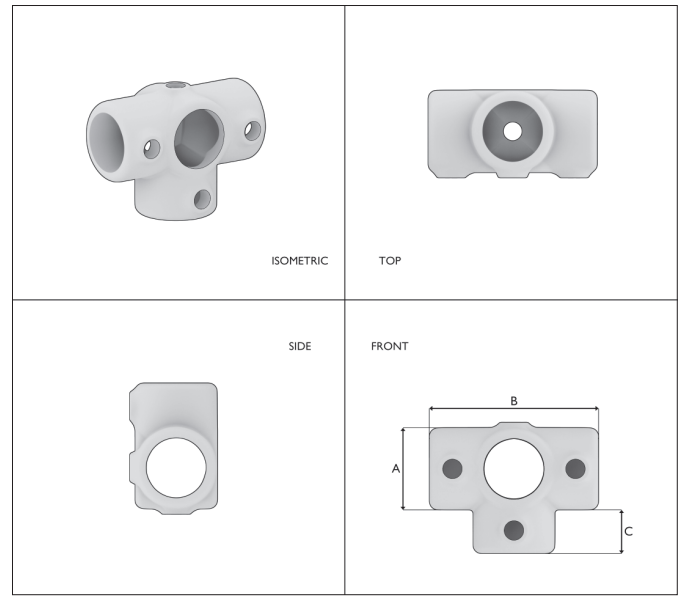
Number of items per box:
608023C: 25 - 608023D: 15 - 608023E: 12

TYPE 24 | SIDE OUTLET TEE

3-direction clamp used to fix uprights with 3 horizontal tubes that are perpendicular to each other. Upright tube passes through the clamp.



Type	Int.Code	Size	A	B	C	BSP	Weight
608024A	176-T21	21,3mm (½")	33	67	19	1/8"	0,21 kg
608024B	176-A27	26,9mm (¾")	37	82	21	1/4"	0,36 kg
608024C	176-B34	33,7mm (1")	46	92	23	1/4"	0,48 kg
608024D	176-C42	42,4mm (1½")	55	120	30	3/8"	0,79 kg
608024E	176-D48	48,3mm (1½")	60	136	34	3/8"	0,96 kg
608024F	176-E60	60,3mm (2")	73	168	42	3/8"	1,57 kg

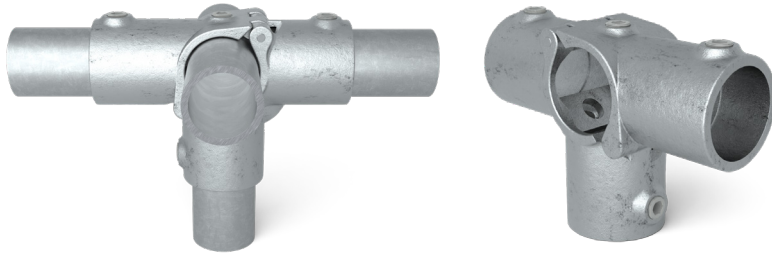


Number of items per box:

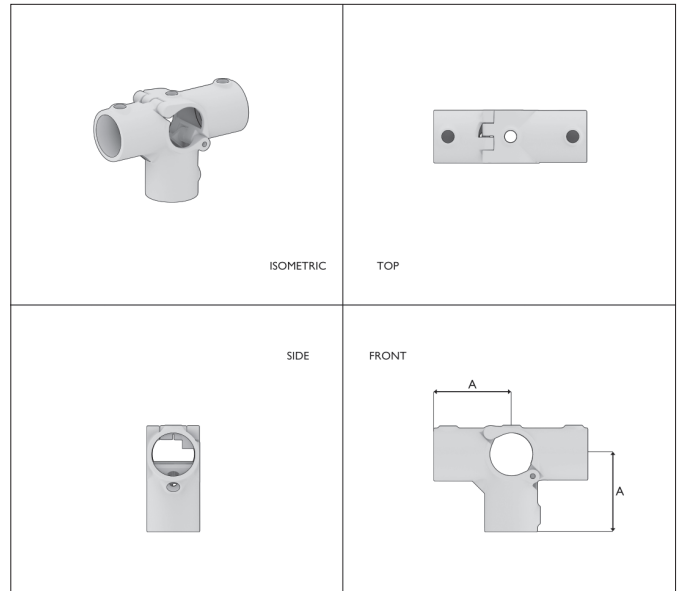
608024A: 70 - 608024B: 30 - 608024C: 25 - 608024D: 15 - 608024E: 10 - 608024F: 6

TYPE 24O | ADD-ON SIDE OUTLET TEE

3-direction clamp used to fix uprights with 3 horizontal tubes that are perpendicular to each other. Upright tube passes through the clamp.



Type	Int.Code	Size	A	BSP	Weight
608024OE	176A-D48	48,3mm (1½")	88	3/8"	1,46 kg

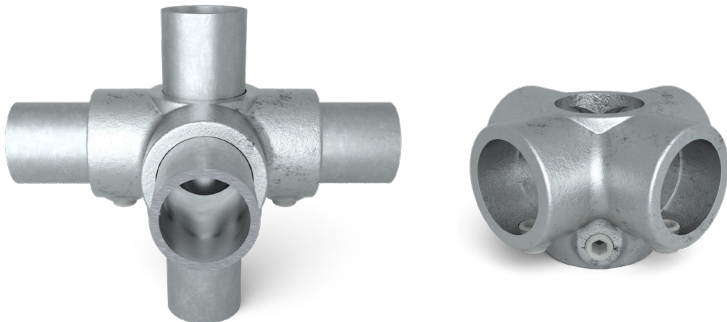


Number of items per box:

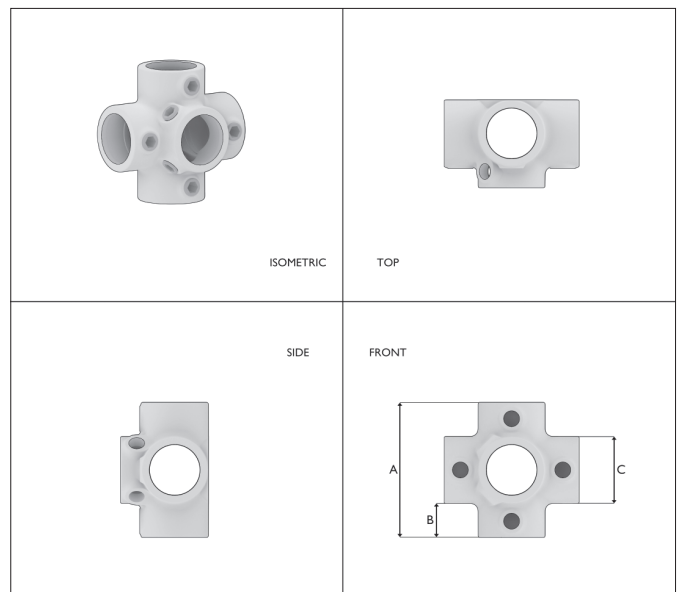
608024OE: 8

TYPE 26 | FOUR SOCKET CROSS

4-direction clamp used to fix uprights with 4 horizontal tubes that are perpendicular to each other. Upright tube passes through the clamp.



Type	Int.Code	Size	A	B	C	BSP	Weight
608026A	158-T21	21,3mm (½")	67	19	32	1/8"	0,30 kg
608026B	158-A27	26,9mm (¾")	82	22	37	1/4"	0,41 kg
608026C	158-B34	33,7mm (1")	92	23	46	1/4"	0,62 kg
608026D	158-C42	42,4mm (1½")	120	33	55	3/8"	0,93 kg
608026E	158-D48	48,3mm (1½")	136	38	60	3/8"	1,23 kg
608026F	158-E60	60,3mm (2")	168	48	72	3/8"	1,96 kg

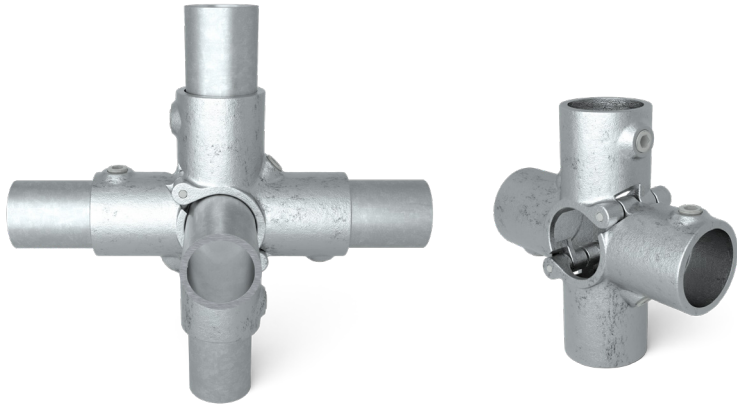


Number of items per box:

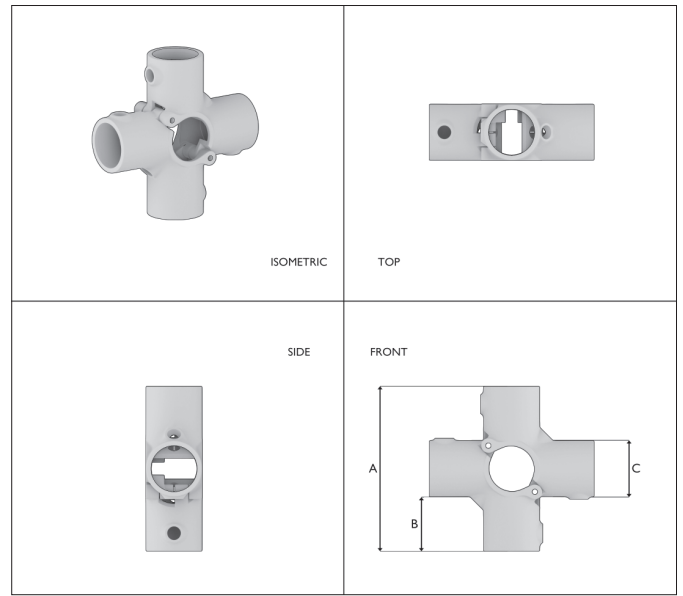
608026A: 45 - 608026B: 35 - 608026C: 20 - 608026D: 10 - 608026E: 6 - 608026F: 5

TYPE 260 | ADD-ON FOUR SOCKET CROSS

4-direction clamp used to fix uprights with 4 horizontal tubes that are perpendicular to each other. Upright tube passes through the clamp.



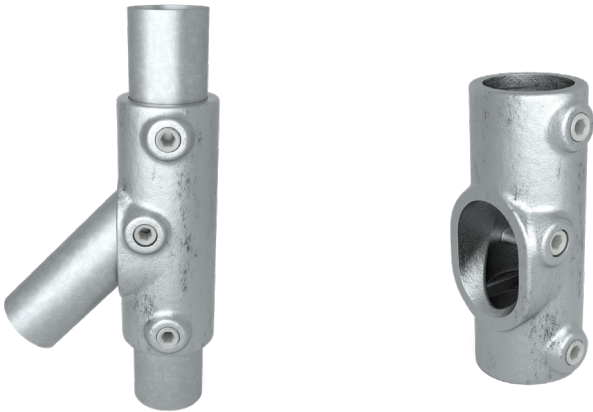
Type	Int.Code	Size	A	B	C	BSP	Weight
608026OE	158A-D48	48,3mm (1½")	177	58	60	3/8"	1,82 kg



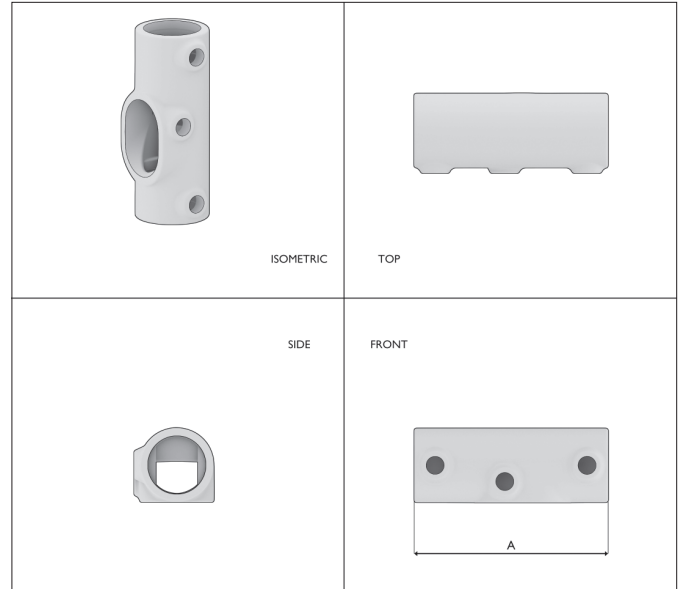
Number of items per box:
608026OE: 10

TYPE 27 | LONG TEE 30°- 45°

Tube fitting for railing with an angle of inclination between 30° and 45°.



Type	Int.Code	Size	A	BSP	Weight
608027C	127-B34	33,7mm (1")	120	1/4"	0,56 kg
608027D	127-C42	42,4mm (1½")	180	3/8"	1,08 kg
608027E	127-D48	48,3mm (1½")	216	3/8"	1,37 kg



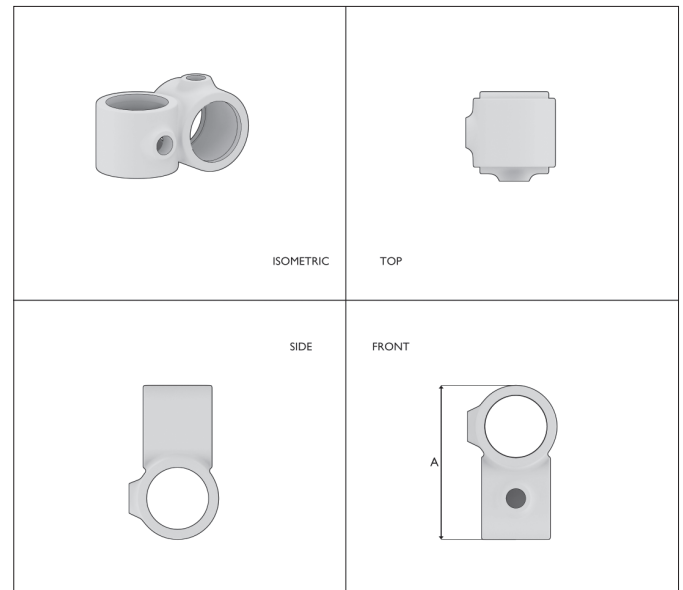
Number of items per box:
608027C: 20- 608027D: 15 - 608027E: 10

TYPE 28 | CROSSOVER 90°

Crossover clamp (90°). Used for long tube intersections with uprights where decreasing cutting cost and increasing strength of the system with continuity of the tube is desired.



Type	Int.Code	Size	A	BSP	Weight
608028B	161-A27	26,9mm (¾")	71	1/4"	0,20 kg
608028C	161-B34	33,7mm (1")	86	1/4"	0,31 kg
608028D	161-C42	42,4mm (1½")	110	3/8"	0,49 kg
608028E	161-D48	48,3mm (1½")	115	3/8"	0,58 kg
608028F	161-E60	60,3mm (2")	140	3/8"	0,90 kg



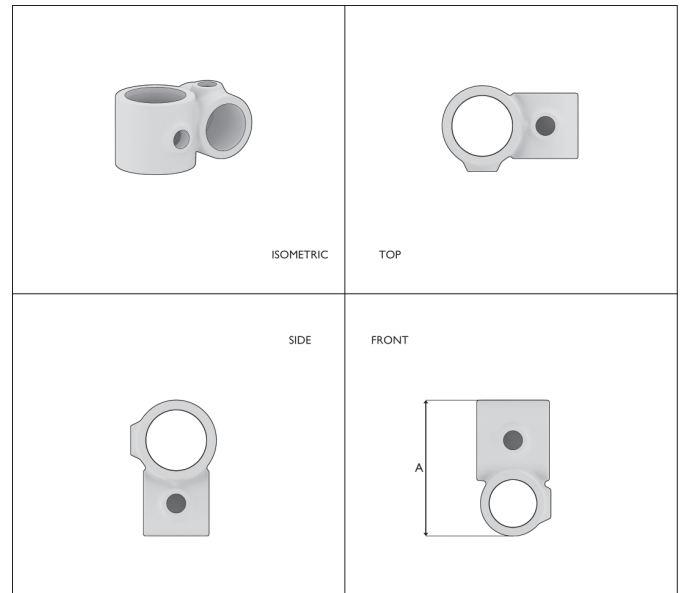
Number of items per box:
608028B: 90 - 608028C: 50 - 608028D: 25 - 608028E: 20 - 608028F: 12

TYPE 28V | REDUCING CROSSOVER 90°

Used for long tube intersections with uprights where decreasing cutting cost and increasing strength of the system with continuity of the tube is desired.



Type	Int.Code	Horizontal	Vertical	A	BSP	Weight
608028CB	I61-B34/A27	33,7mm (1")	26,9mm (¾")	77	1/4"	0,29 kg
608028DC	I61-C42/B34	42,4mm (1½")	33,7mm (1")	95	1/4" & 3/8"	0,40 kg
608028EC	I61-D48/B34	48,3mm (1½")	33,7mm (1")	101	1/4" & 3/8"	0,47 kg
608028ED	I61-D48/C42	48,3mm (1½")	42,4mm (1½")	108	3/8"	0,53 kg
608028FE	I61-E60/D48	60,3mm (2")	48,3mm (1½")	127	3/8"	0,84 kg



Number of items per box:

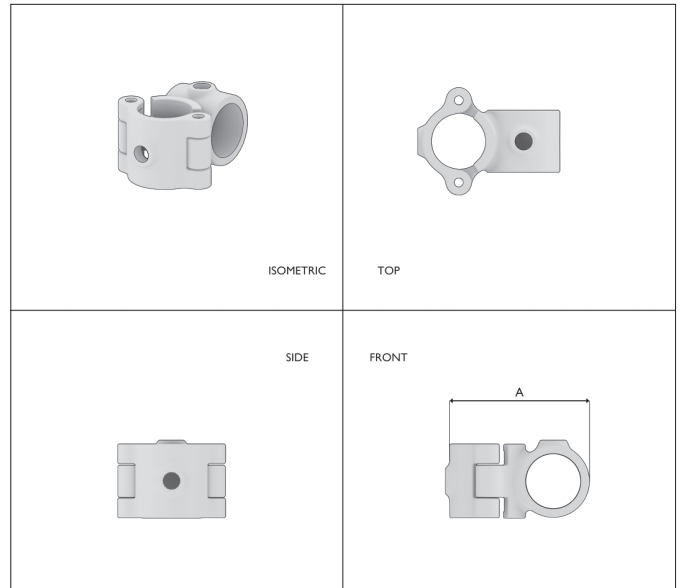
608028CB: 60 - 608028DC: 35 - 608028EC: 25 - 608028ED: 25 - 608028FE: 10

TYPE 28O | ADD-ON CROSSOVER 90°

Used for long tube intersections with uprights where decreasing cutting cost and increasing strength of the system with continuity of the tube is desired.



Type	Int.Code	Horizontal	A	BSP	Weight
608028OC	I37-B34	33,7mm (1")	87	1/4"	0,46 kg
608028OD	I37-C42	42,4mm (1½")	91	3/8"	0,65 kg
608028OE	I37-D48	48,3mm (1½")	105	3/8"	0,75 kg

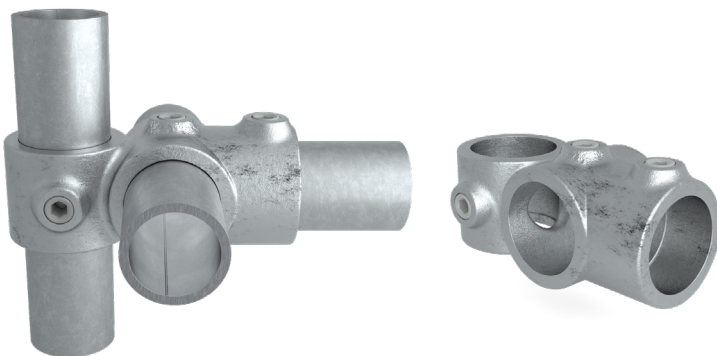


Number of items per box:

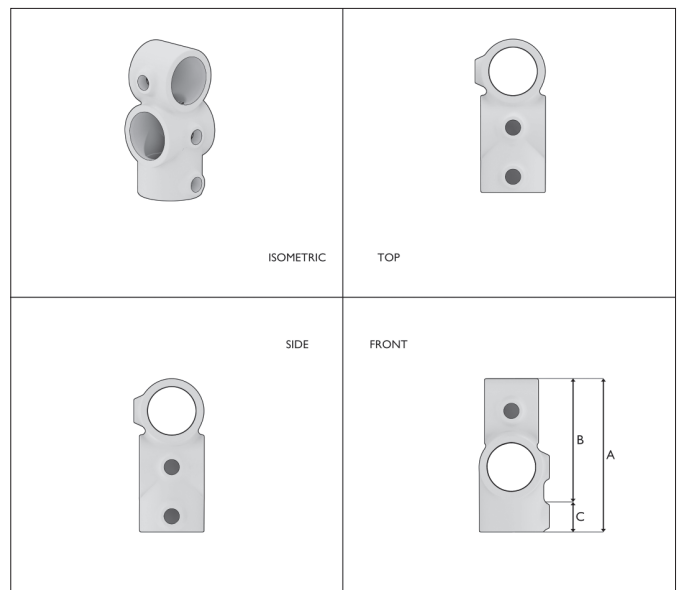
608028OC: 45 - 608028OD: 25 - 608028OE: 15

TYPE 30 | COMBI SOCKET TEE AND CROSS

Frequently used for racking. Upright hole can be changed according to the application. For shelved racking the outside hole is the upright, and for pallet racking the upright is inside the carrying rails.



Type	Int.Code	Size	A	B	C	BSP	Weight
608030B	I82T-T21	26,9mm (¾")	94	72	22	1/4"	0,26 kg
608030C	I82T-A27	33,7mm (1")	109	86	25	1/4"	0,48 kg
608030D	I82T-B34	42,4mm (1½")	136	102	34	3/8"	0,63 kg
608030E	I82T-C42	48,3mm (1½")	153	120	23	3/8"	0,77 kg

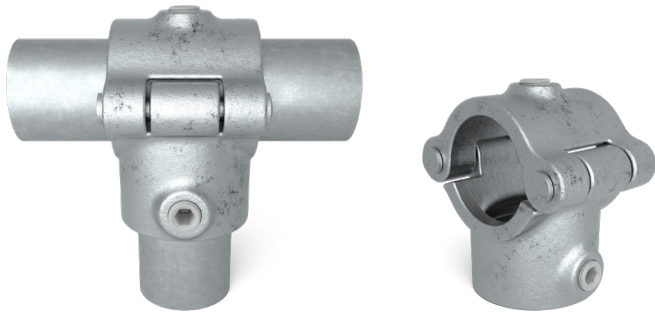


Number of items per box:

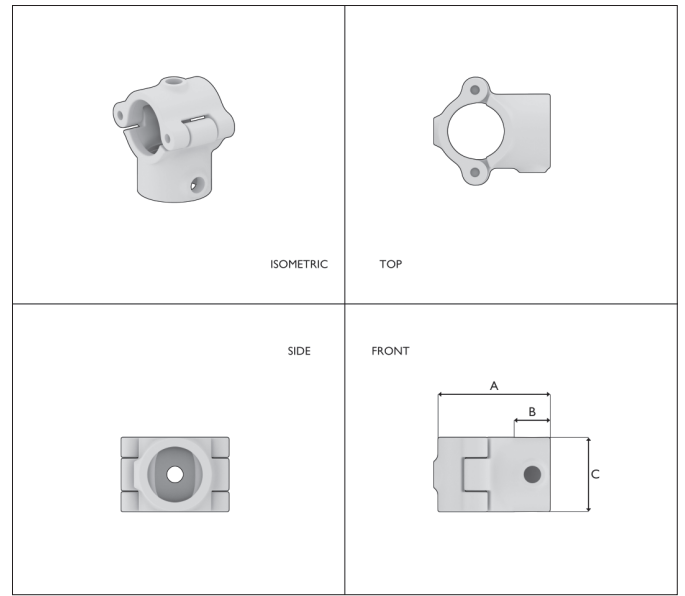
608030B: 55 - 608030C: 35 - 608030D: 30 - 608030E: 15

TYPE 310 | ADD-ON SHORT TEE

Forms a perpendicular connection between two tubes. Used for expanding and adapting existing structures.



Type	Int.Code	Size	A	B	C	BSP	Weight
608031OC	136-B34	33,7mm (1")	50	22	47	1/4"	0,41 kg
608031OD	136-C42	42,4mm (1 1/4")	64	28	55	3/8"	0,56 kg
608031OE	136-D48	48,3mm (1 1/2")	139	38	60	3/8"	0,83 kg

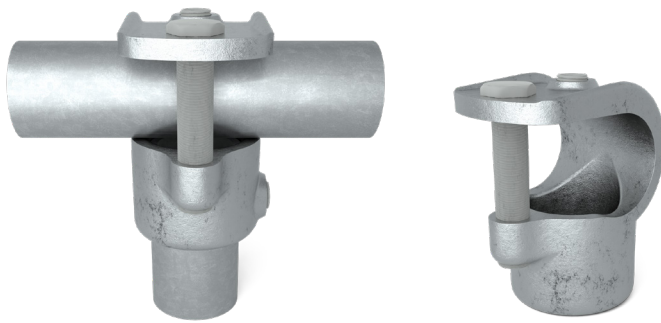


Number of items per box:

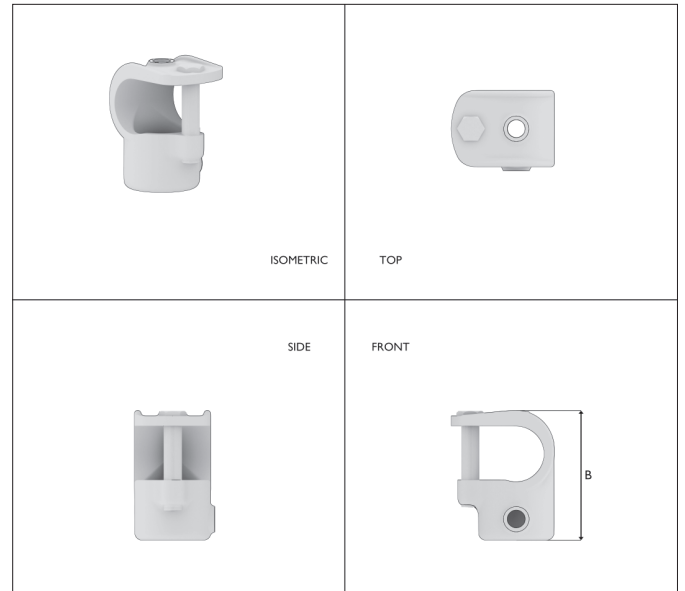
608031OC: 40 - 608031OD: 25 - 608031OE: 20

TYPE 32 | CLAMP-ON TEE

Used for adding to and modifying an existing structure.



Type	Int.Code	Size	A	BSP	Weight
608032B	135-A27	26,9mm (3/4")	74	1/4"	0,25 kg
608032C	135-B34	33,7mm (1")	80	1/4"	0,44 kg
608032D	135-C42	42,4mm (1 1/4")	98	3/8"	0,56 kg
608032E	135-D48	48,3mm (1 1/2")	111	3/8"	0,70 kg
608032F	135-E60	60,3mm (2")	129	3/8"	0,91 kg

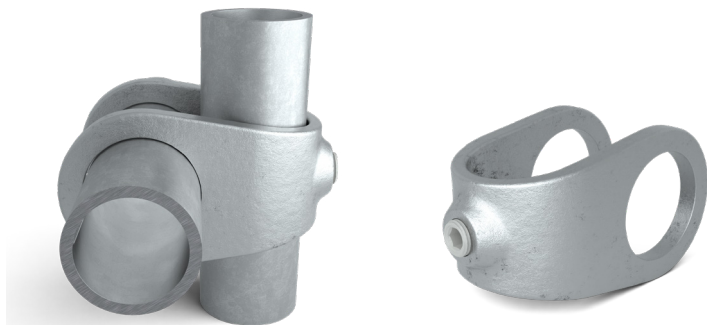


Number of items per box:

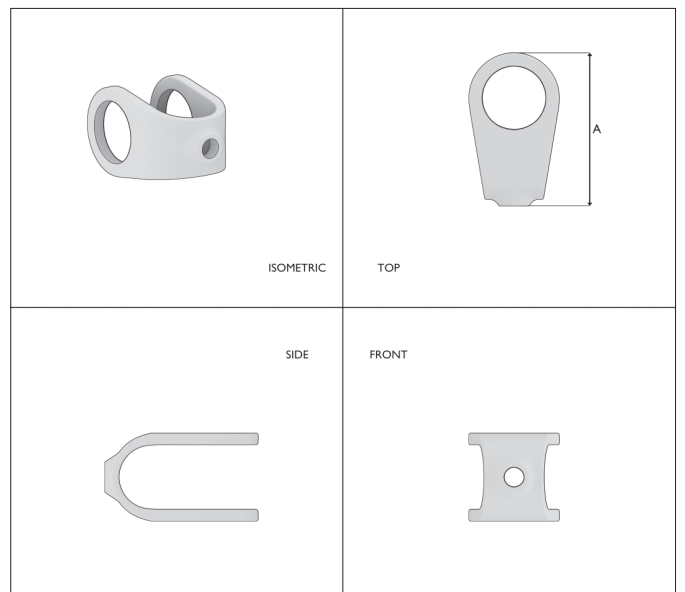
608032B: 50 - 608032C: 35 - 608032D: 20 - 608032E: 15 - 608032F: 10

TYPE 33 | CLAMP-ON CROSSOVER

90° crossover joint fitting for adding to an existing structure.



Type	Int.Code	Size	A	BSP	Weight
608033B	160-A27	26,9mm (3/4")	71	1/4"	0,16 kg
608033C	160-B34	33,7mm (1")	84	1/4"	0,24 kg
608033D	160-C42	42,4mm (1 1/4")	102	3/8"	0,35 kg
608033E	160-D48	48,3mm (1 1/2")	115	3/8"	0,45 kg
608033F	160-E60	60,3mm (2")	140	3/8"	0,66 kg

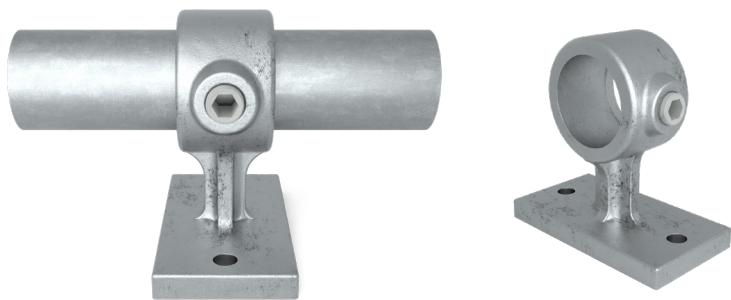


Number of items per box:

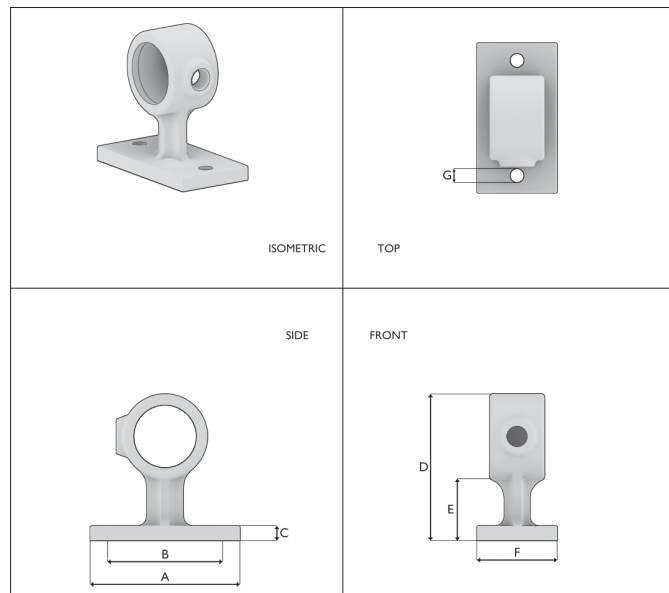
608033B: 110 - 608033C: 60 - 608033D: 35 - 608033E: 30 - 608033F: 20

TYPE 34 | HANDRAIL SUPPORT

For fixing handrails and structures to walls.



Type	Int.Code	Size	A	B	C	D	E	F	G	BSP	Weight
608034A	I43W-T21	21,3mm (1/2")	65	50	7	69	37	33	6	1/8"	0,23 kg
608034B	I43W-A27	26,9mm (3/4")	76	57	7	72	36	46	8	1/4"	0,38 kg
608034C	I43W-B34	33,7mm (1")	82	63	8	80	34	44	8	1/4"	0,41 kg
608034D	I43W-C42	42,4mm (1 1/4")	102	76	8	91	36	44	10	3/8"	0,65 kg
608034E	I43W-D48	48,3mm (1 1/2")	108	83	8	97	38	48	10	3/8"	0,72 kg

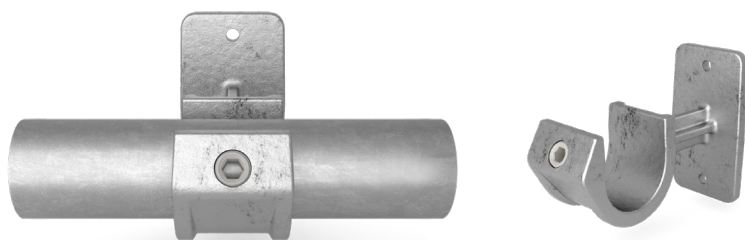


Number of items per box:

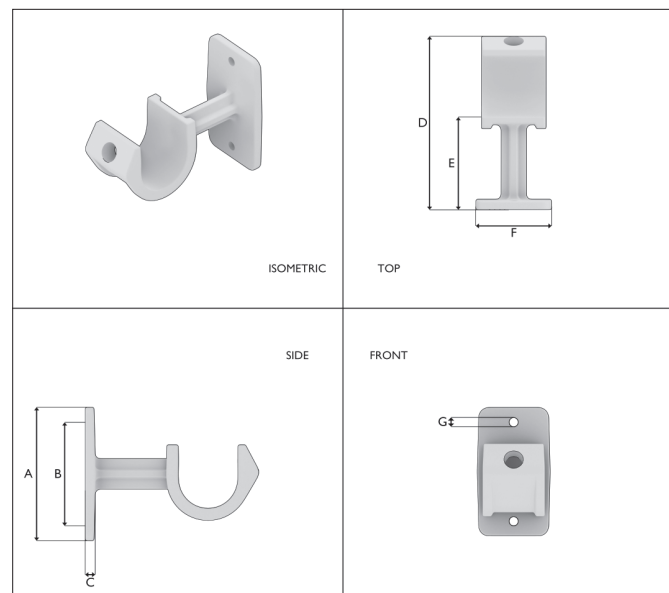
608034A: 90 - 608034B: 50 - 608034C: 45 - 608034D: 30 - 608034E: 25

TYPE 35 | HANDRAIL SUPPORT, OPEN

For fixing handrails and structures to walls.



Type	Int.Code	Size	A	B	C	D	E	F	G	BSP	Weight
608035B	I43K-A27	26,9mm (3/4")	76	57	6	90	49	44	6	1/4"	0,38 kg
608035C	I43K-B34	33,7mm (1")	80	61	6	104	56	45	6	1/4"	0,41 kg
608035D	I43K-C42	42,4mm (1 1/4")	10	75	6	122	62	44	8	3/8"	0,51 kg
608035E	I43K-D48	48,3mm (1 1/2")	108	82	7	131	65	49	8	3/8"	0,58 kg

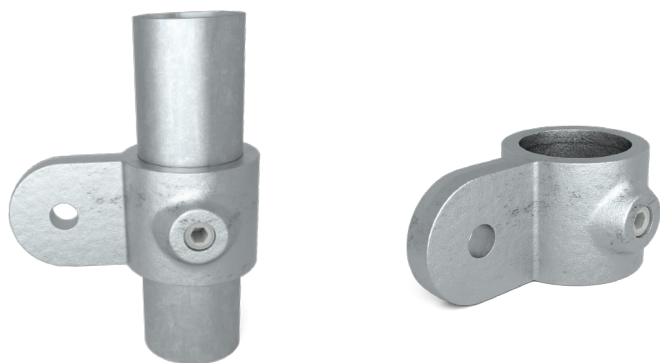


Number of items per box:

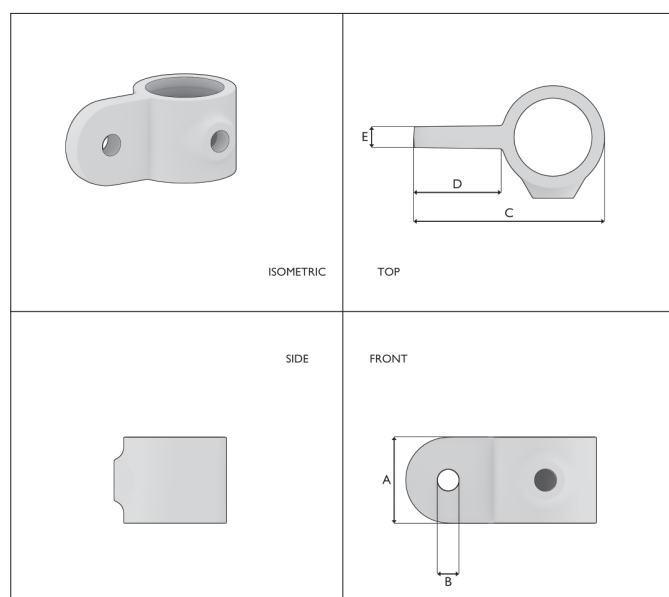
608035B: 60 - 608035C: 50 - 608035D: 25 - 608035E: 25

TYPE 36 | MALE SINGLE LUG

Used with Type 42 for swivel fittings, also used for fixing panels and boards.



Type	Int.Code	Size	A	B	C	D	E	BSP	Weight
608036B	I73M-A27	26,9mm (3/4")	38	10	77	39	10	1/4"	0,22 kg
608036C	I73M-B34	33,7mm (1")	38	10	85	39	10	1/4"	0,25 kg
608036D	I73M-C42	42,4mm (1 1/4")	38	10	94	40	10	3/8"	0,33 kg
608036E	I73M-D48	48,3mm (1 1/2")	38	10	103	43	10	3/8"	0,38 kg
608036F	I73M-E60	60,3mm (2")	38	10	118	44	10	3/8"	0,56 kg

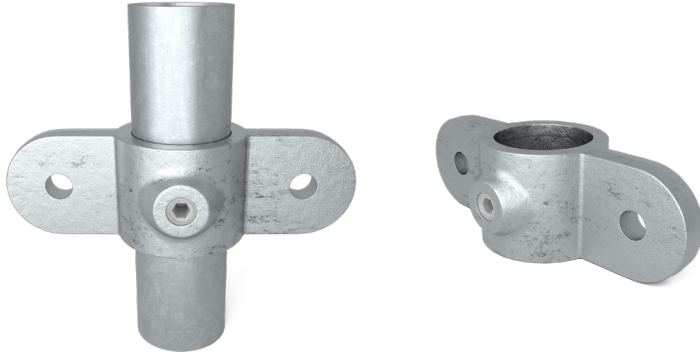


Number of items per box:

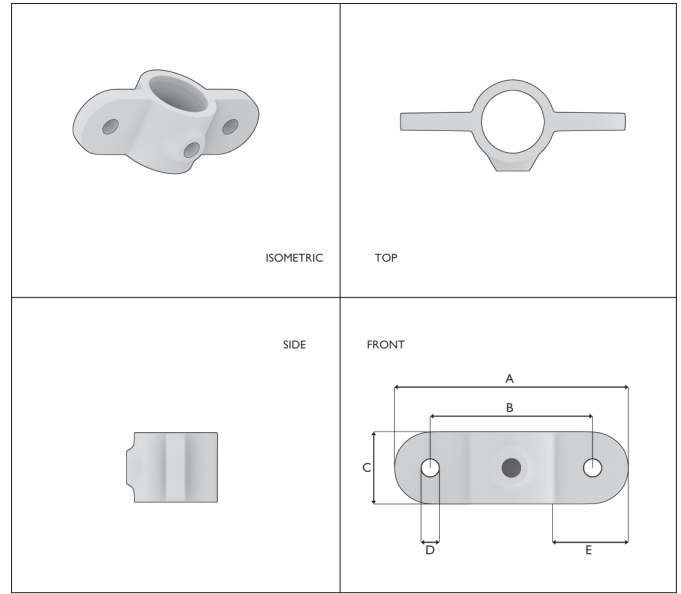
608036B: 95 - 608036C: 80 - 608036D: 55 - 608036E: 45 - 608036F: 25

TYPE 38 | MALE DOUBLE LUG

Similar to Type 36 with two lugs on the same axis (180°).



Type	Int.Code	Size	A	B	C	D	E	BSP	Weight
608038B	167M-A27	26,9mm (3/4")	116	78	38	10	40	1/4"	0,22 kg
608038C	167M-B34	33,7mm (1")	123	86	38	10	39	1/4"	0,25 kg
608038D	167M-C42	42,4mm (1 1/4")	134	96	38	10	40	3/8"	0,33 kg
608038E	167M-D48	48,3mm (1 1/2")	146	108	38	10	50	3/8"	0,37 kg
608038F	167M-E60	60,3mm (2")	162	124	38	10	44	3/8"	0,56 kg



Number of items per box:

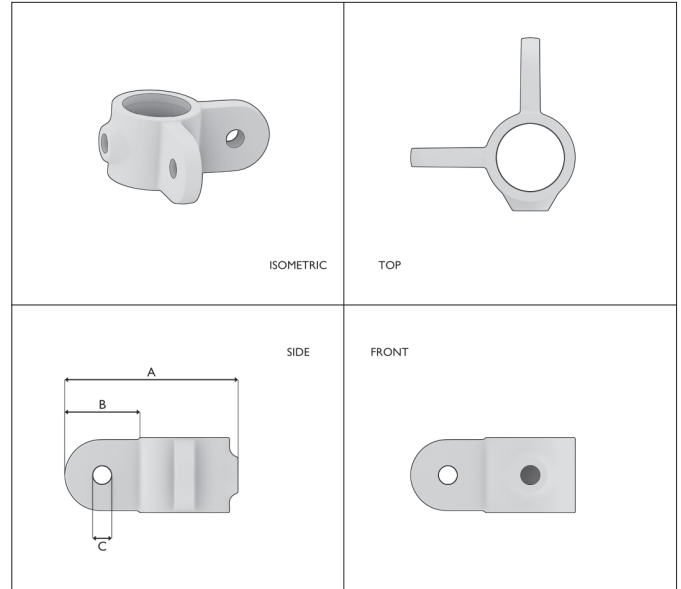
608038B: 65 - 608038C: 60 - 608038D: 45 - 608038E: 35 - 608038F: 20

TYPE 40 | MALE CORNER LUG 90°

Similar to Type 36 with two lugs which are perpendicular to each other.



Type	Int.Code	Size	A	B	C	BSP	Weight
608040B	168M-A27	26,9mm (3/4")	80	38	10	1/4"	0,28 kg
608040C	168M-B34	33,7mm (1")	88	38	10	1/4"	0,36 kg
608040D	168M-C42	42,4mm (1 1/4")	98	40	10	3/8"	0,46 kg
608040E	168M-D48	48,3mm (1 1/2")	108	43	10	3/8"	0,53 kg
608040F	168M-E60	60,3mm (2")	122	45	10	3/8"	0,59 kg



Number of items per box:

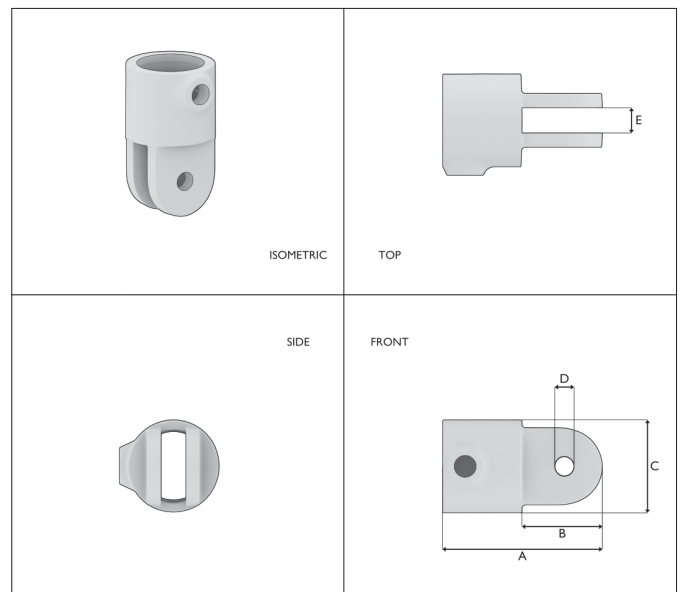
608040B: 80 - 608040C: 55 - 608040D: 60 - 608040E: 30 - 608040F: 35

TYPE 42 | FEMALE SINGLE SOCKET

One part of swivel fitting, not generally used alone, combination for example Type 36, 38, 40 or 608050.



Type	Int.Code	Size	A	B	C	D	E	BSP	Weight
608042B	173F-A27	26,9mm (3/4")	79	40	37	10	13	1/4"	0,26 kg
608042C	173F-B34	33,7mm (1")	79	40	46	10	13	1/4"	0,31 kg
608042D	173F-C42	42,4mm (1 1/4")	78	40	54	10	13	3/8"	0,41 kg
608042E	173F-D48	48,3mm (1 1/2")	95	40	60	10,5	13	3/8"	0,53 kg
608042F	173F-E60	60,3mm (2")	104	41	73	10,5	13	3/8"	0,76 kg

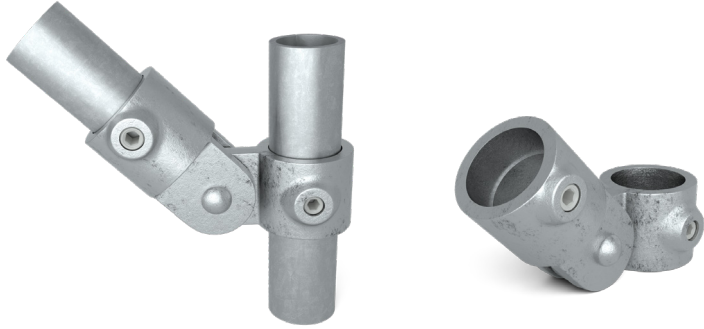


Number of items per box:

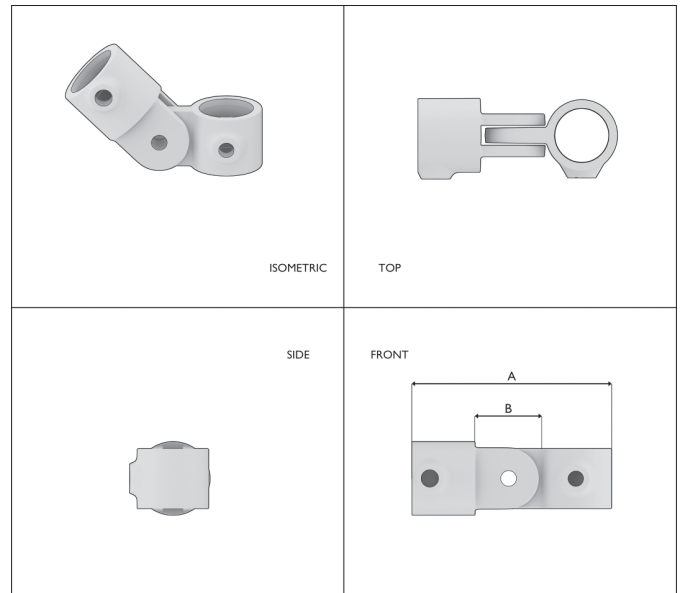
608042B: 80 - 608042C: 60 - 608042D: 40 - 608042E: 30 - 608042F: 20

TYPE 44 | SINGLE SWIVEL

Swivel fitting for variable angle fixing.



Type	Int.Code	Size	A	B	BSP	Weight
608044B	173-A27	26,9mm (3/4")	117	42	1/4"	0,48 kg
608044C	173-B34	33,7mm (1")	124	42	1/4"	0,56 kg
608044D	173-C42	42,4mm (1 1/4")	143	42	3/8"	0,74 kg
608044E	173-D48	48,3mm (1 1/2")	161	47	3/8"	0,90 kg
608044F	173-E60	60,3mm (2")	173	49	3/8"	1,32 kg

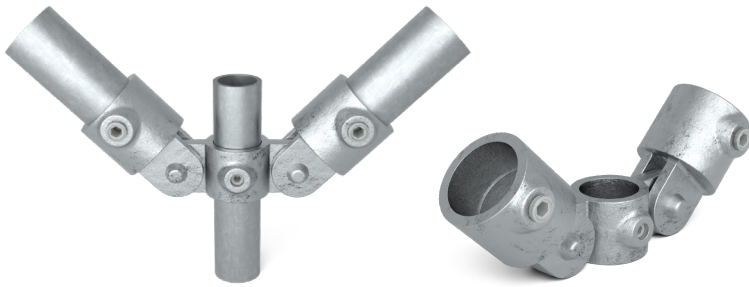


Number of items per box:

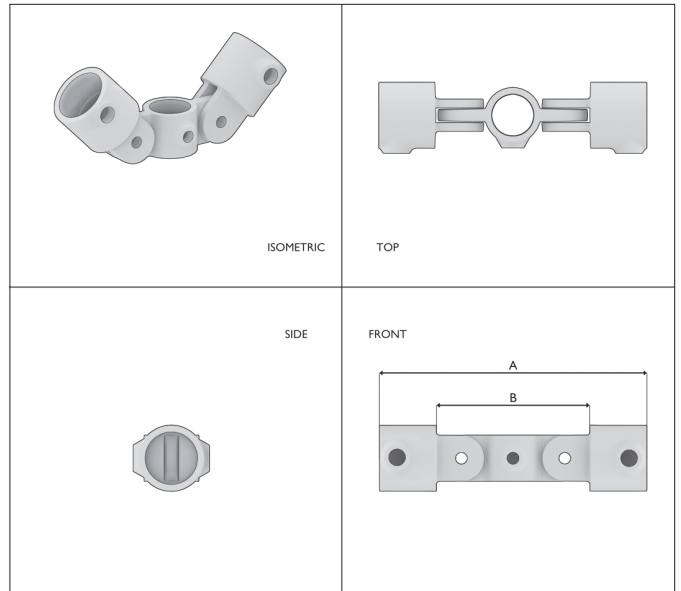
608044B: 40 - 608044C: 35 - 608044D: 25 - 608044E: 15 - 608044F: 10

TYPE 46 | DOUBLE SWIVEL

Swivel fitting for variable angle fixing for two sides of the post.



Type	Int.Code	Size	A	B	BSP	Weight
608046B	167-A27	26,9mm (3/4")	198	116	1/4"	0,83 kg
608046C	167-B34	33,7mm (1")	206	128	1/4"	0,99 kg
608046D	167-C42	42,4mm (1 1/4")	232	140	3/8"	1,26 kg
608046E	167-D48	48,3mm (1 1/2")	261	152	3/8"	1,57 kg
608046F	167-E60	60,3mm (2")	292	168	3/8"	2,00 kg

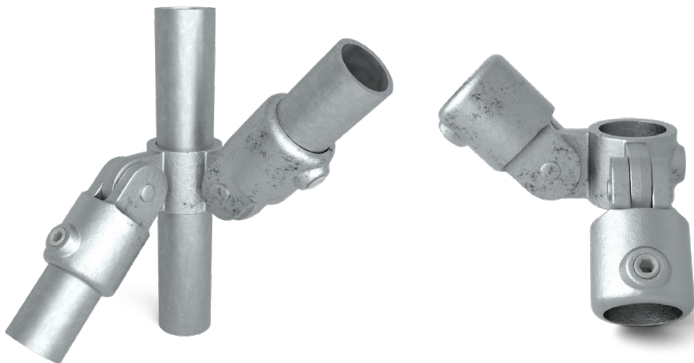


Number of items per box:

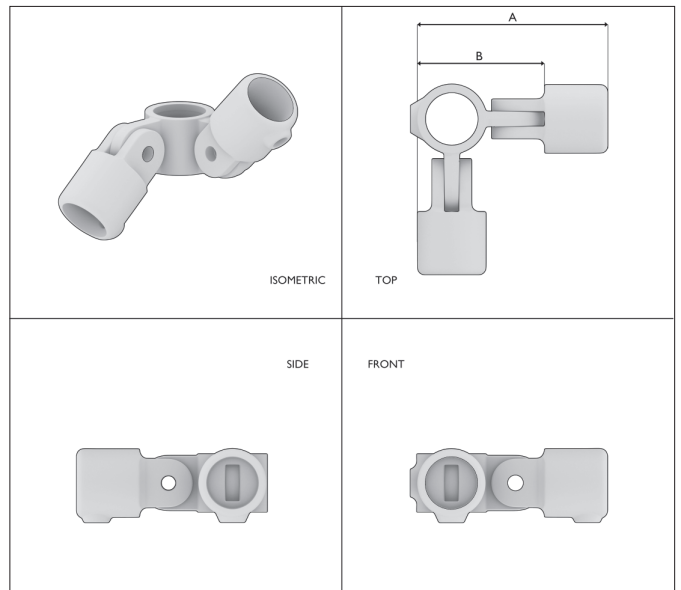
608046B: 30 - 608046C: 15 - 608046D: 10 - 608046E: 10 - 608046F: 10

TYPE 48 | CORNER SWIVEL 90°

Swivel fitting for variable angle fixing for 90° corner post.



Type	Int.Code	Size	A	B	BSP	Weight
608048B	168-A27	26,9mm (3/4")	114	75	1/4"	0,83 kg
608048C	168-B34	33,7mm (1")	125	83	1/4"	1,00 kg
608048D	168-C42	42,4mm (1 1/4")	127	83	3/8"	1,26 kg
608048E	168-D48	48,3mm (1 1/2")	168	118	3/8"	1,57 kg
608048F	168-E60	60,3mm (2")	179	109	3/8"	2,00 kg

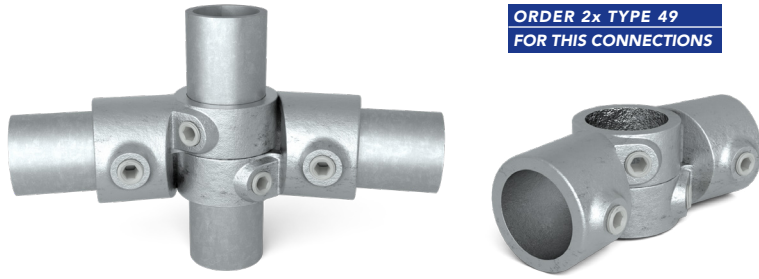


Number of items per box:

608048B: 35 - 608048C: 20 - 608048D: 15 - 608048E: 10 - 608048F: 6

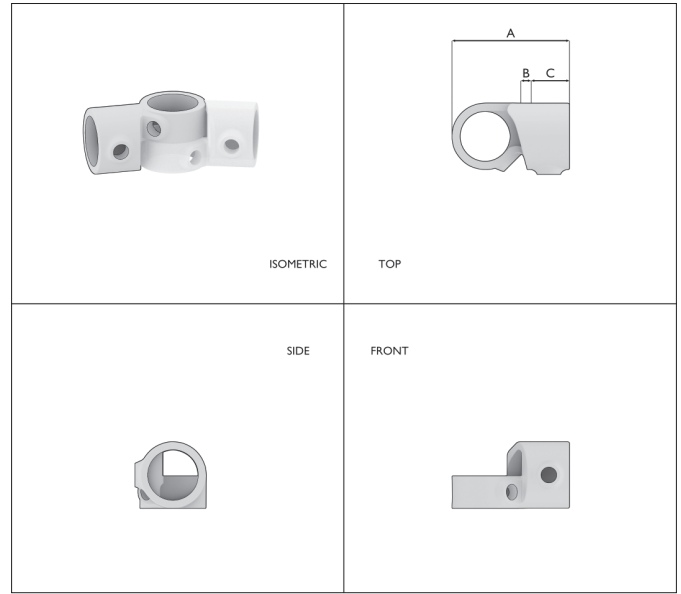
TYPE 49 | ADJUSTABLE SWIVEL TEE

Always used in pairs to allow angle variation between 54° and 270°.



**ORDER 2x TYPE 49
FOR THIS CONNECTIONS**

Type	Int.Code	Size	A	B	C	BSP	Weight
608049B	I48-A27	26,9mm (¾")	79	14	25	1/4"	0,20 kg
608049C	I48-B34	33,7mm (1")	81	7	26	1/4"	0,29 kg
608049D	I48-C42	42,4mm (1½")	100	15	27	3/8"	0,43 kg
608049E	I48-D48	48,3mm (1½")	111	21	27	3/8"	0,56 kg
608049F	I48-E60	60,3mm (2")	147	39	30	3/8"	0,93 kg

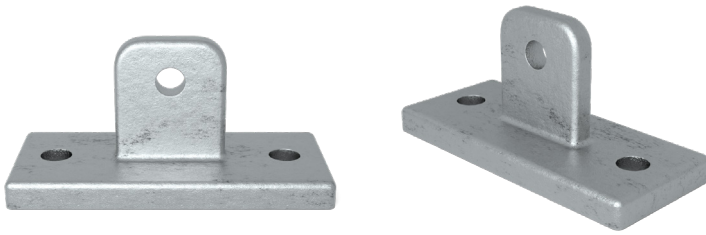


Number of items per box:

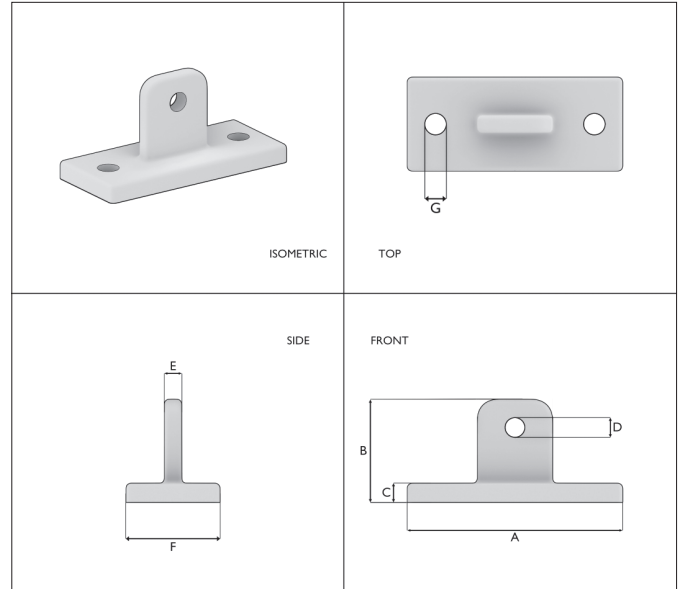
608049B: **65** - 608049C: **60** - 608049D: **35** - 608049E: **20** - 608049F: **10**

TYPE 50 | SWIVEL BASE PLATE

For fixing structures to wall or floor, usually used with Type 42.



Type	Int.Code	Size	A	B	C	D	E	F	G	Weight
608050	I69M	One size	115	55	10	11	9	50	12	0,36 kg

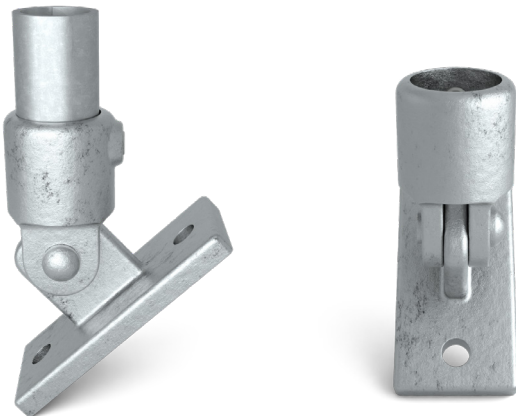


Number of items per box:

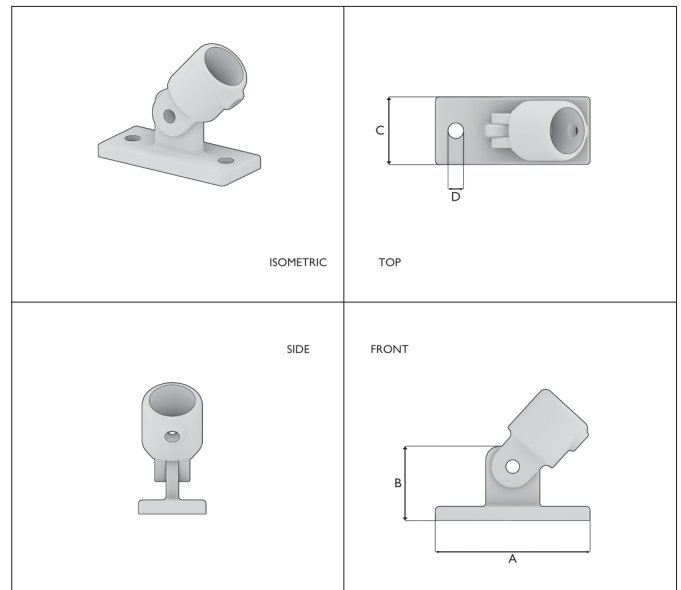
608050: **50**

TYPE 51 | SWIVEL BASE

Used for an angled wall attachment or support for an upright post.



Type	Int.Code	Size	A	B	C	D	BSP	Weight
608051B	I69-A27	26,9mm (¾")	115	55	50	12	1/4"	0,66 kg
608051C	I69-B34	33,7mm (1")	115	55	50	12	1/4"	0,71 kg
608051D	I69-C42	42,4mm (1½")	115	55	50	12	3/8"	0,81 kg
608051E	I69-D48	48,3mm (1½")	115	55	50	12	3/8"	0,93 kg
608051F	I69-E60	60,3mm (2")	115	55	50	12	3/8"	1,16 kg

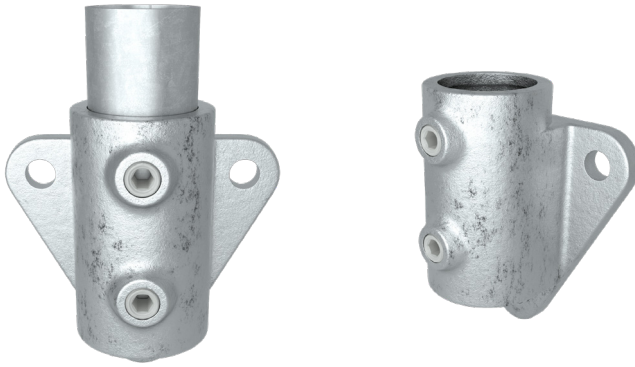


Number of items per box:

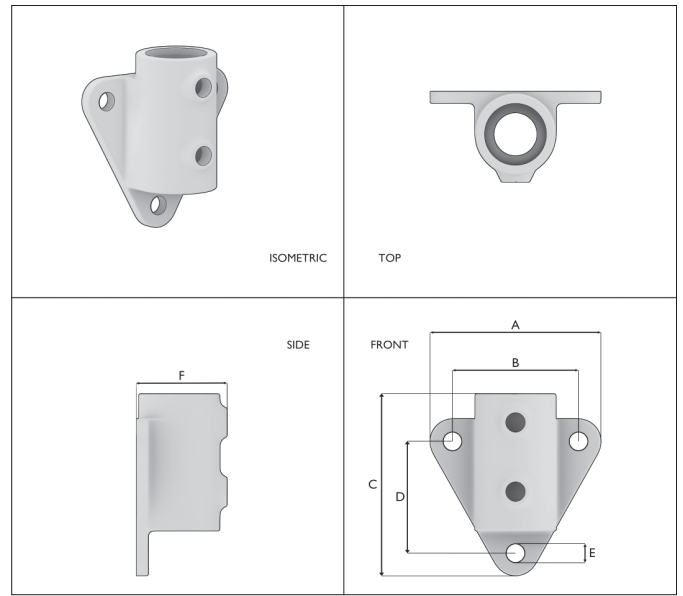
608051B: **25** - 608051C: **25** - 608051D: **25** - 608051E: **20** - 608051F: **15**

TYPE 53 | SIDE PALM

Side-mounting fitting for vertical post. The upright cannot pass through the fitting.



Type	Int.Code	Size	A	B	C	D	E	F	BSP	Weight
608053C	146-B34	33,7mm (1")	96	73	102	63	11	51	1/4"	0,65 kg
608053D	146-C42	42,4mm (1 1/4")	108	83	108	72	11,5	59	3/8"	0,82 kg
608053E	146-D48	48,3mm (1 1/2")	111	86	114	78	11,5	65	3/8"	0,91 kg



Number of items per box:

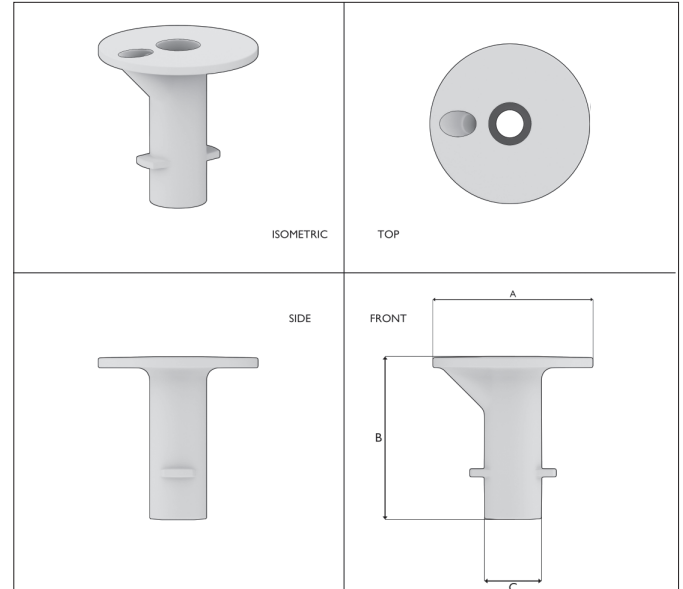
608053C: 30 - 608053D: 25 - 608053E: 15

TYPE 54 | GROUNDSOCKET

A ground socket fitting inside the concrete for fixing upright tube. Post are retained with a locking setscrew, allowing easy insertion and removal (if necessary).



Type	Int.Code	Size	A	B	C	BSP	Weight
608054B	134-A27	26,9mm (3/4")	104	106	37	1/4"	0,67 kg
608054C	134-B34	33,7mm (1")	104	106	61	1/4"	1,50 kg
608054D	134-C42	42,4mm (1 1/4")	140	130	61	3/8"	1,50 kg
608054E	134-D48	48,3mm (1 1/2")	140	130	61	3/8"	1,50 kg
608054F	134-E60	60,3mm (2")	145	142	73	3/8"	1,97 kg



Number of items per box:

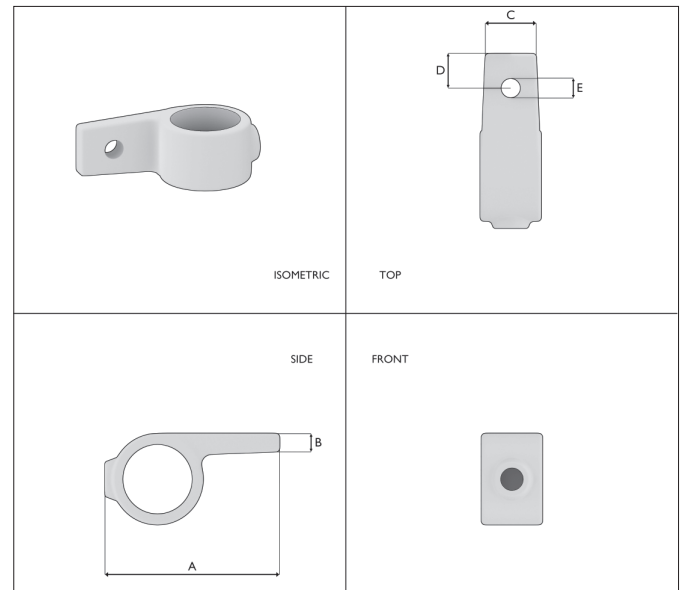
608054B: 15 - 608054C: 6 - 608054D: 6 - 608054E: 6 - 608054F: 3

TYPE 55 | COLLAR PLATE SINGLE SIDE

Fitting for panel fixing.



Type	Int.Code	Size	A	B	C	D	E	BSP	Weight
608055A	199-T21	21,3mm (1/2")	70	5	20	10	5	1/8"	0,11 kg
608055B	199-A27	26,9mm (3/4")	78	8	20	17	10	1/4"	0,15 kg
608055C	199-B34	33,7mm (1")	86	9	25	17	10	1/4"	0,22 kg
608055D	199-C42	42,4mm (1 1/4")	96	9	30	17	10	3/8"	0,32 kg
608055E	199-D48	48,3mm (1 1/2")	103	9	30	17	10	3/8"	0,34 kg

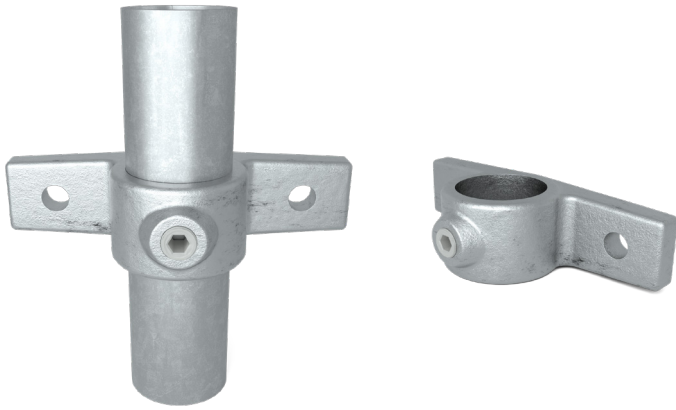


Number of items per box:

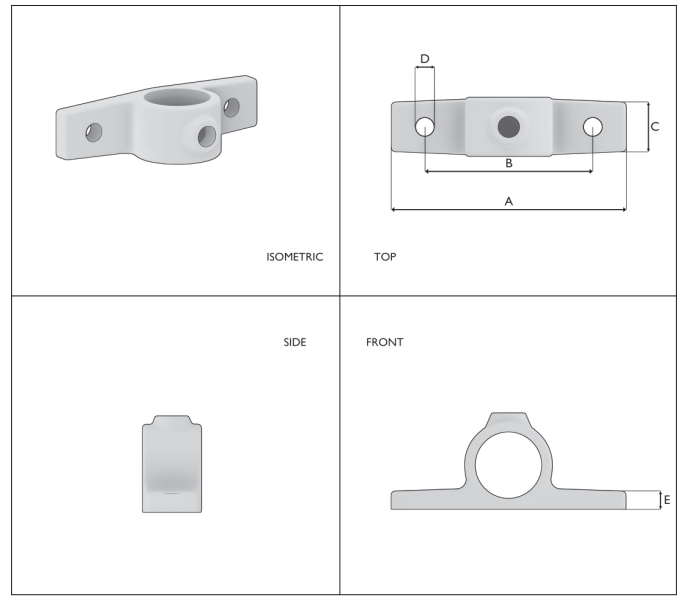
608055A: 265 - 608055B: 130 - 608055C: 90 - 608055D: 65 - 608055E: 60

TYPE 56 | COLLAR PLATE DOUBLE SIDE

Panel fixing with two lugs also used for locking gates.



Type	Int.Code	Size	A	B	C	D	E	BSP	Weight
608056B	I98-A27	26,9mm (3/4")	110	76	25	10	8	1/4"	0,25 kg
608056C	I98-B34	33,7mm (1")	120	86	25	10	9	1/4"	0,33 kg
608056D	I98-C42	42,4mm (1 1/4")	130	96	30	10	9	3/8"	0,45 kg
608056E	I98-D48	48,3mm (1 1/2")	140	106	30	10	9	3/8"	0,48 kg

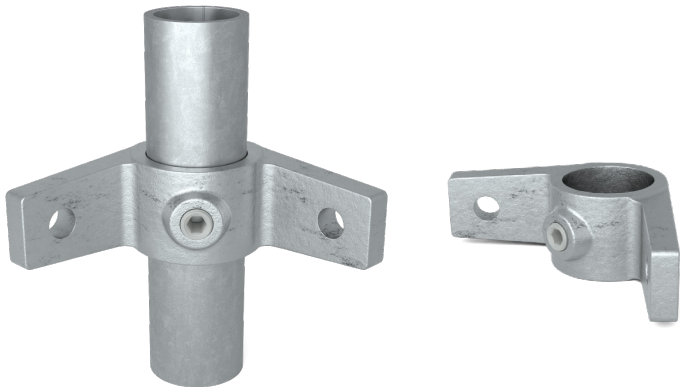


Number of items per box:

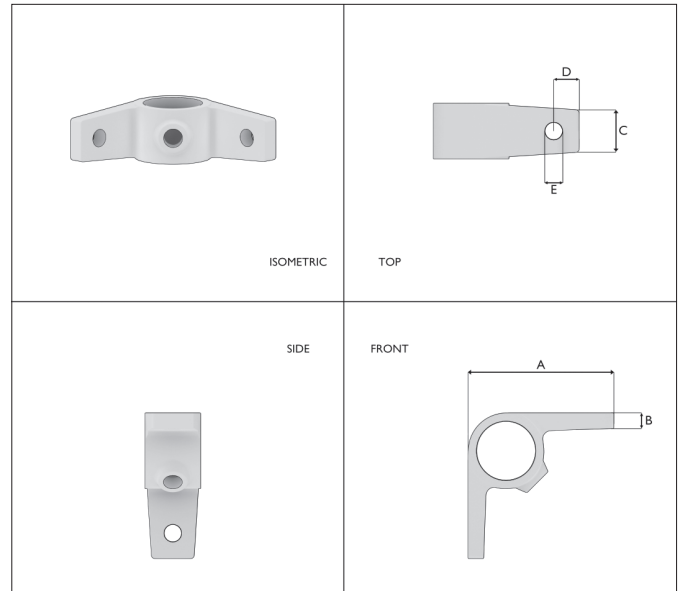
608056B: **60** - 608056C: **70** - 608056D: **40** - 608056E: **40**

TYPE 57 | COLLAR PLATE DOUBLE SIDE 90°

Collar Plate Double Side 90°. Double panel fixing for carrying 2 shelves in 90°.



Type	Int.Code	Size	A	B	C	D	E	BSP	Weight
608057B	I97-A27	26,9mm (3/4")	79	8	25	15	11	1/4"	0,25 kg
608057C	I97-B34	33,7mm (1")	87	9	25	15	11	1/4"	0,34 kg
608057D	I97-C42	42,4mm (1 1/4")	92	9	30	15	11	3/8"	0,43 kg
608057E	I97-D48	48,3mm (1 1/2")	100	9	30	15	11	3/8"	0,47 kg



Number of items per box:

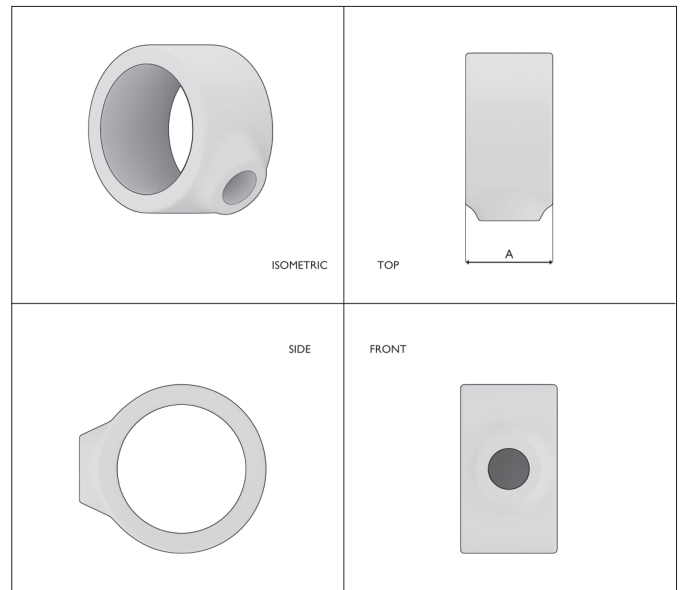
608057B: **80** - 608057C: **60** - 608057D: **40** - 608057E: **25**

TYPE 60 | COLLAR

Support fitting to increase slip resistance of fittings that are under high loads.



Type	Int.Code	Size	A	BSP	Weight
608060B	I79-A27	26,9mm (3/4")	25	1/4"	0,09 kg
608060C	I79-B34	33,7mm (1")	25	1/4"	0,12 kg
608060D	I79-C42	42,4mm (1 1/4")	25	3/8"	0,14 kg
608060E	I79-D48	48,3mm (1 1/2")	25	3/8"	0,15 kg

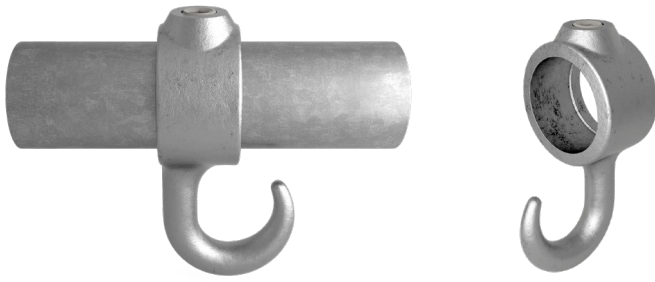


Number of items per box:

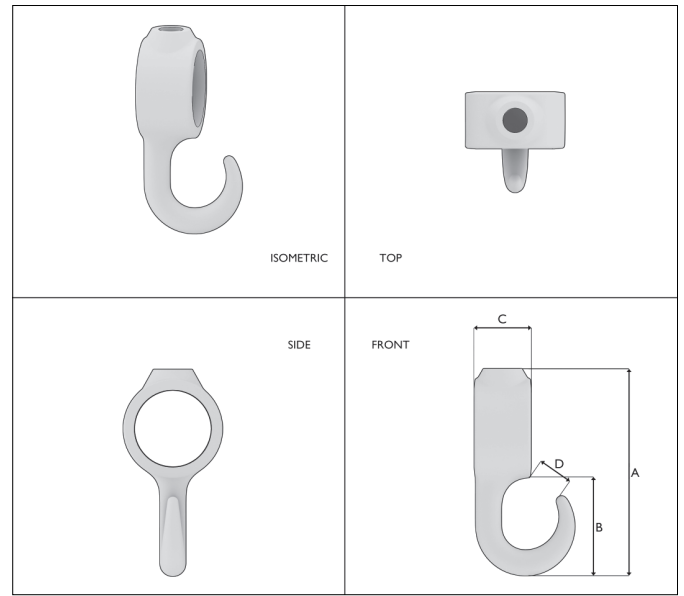
608060B: **180** - 608060C: **150** - 608060D: **100** - 608060E: **90**

TYPE 61 | HOOK

Fitting used for chain attachments.



Type	Int.Code	Size	A	B	C	D	BSP	Weight
608061B	182-A27	26,9mm (3/4")	87	45	26	15	1/4"	0,16 kg
608061C	182-B34	33,7mm (1")	95	45	26	15	1/4"	0,20 kg
608061D	182-C42	42,4mm (1 1/4")	104	45	26	15	3/8"	0,23 kg
608061E	182-D48	48,3mm (1 1/2")	110	45	26	15	3/8"	0,24 kg



Number of items per box:

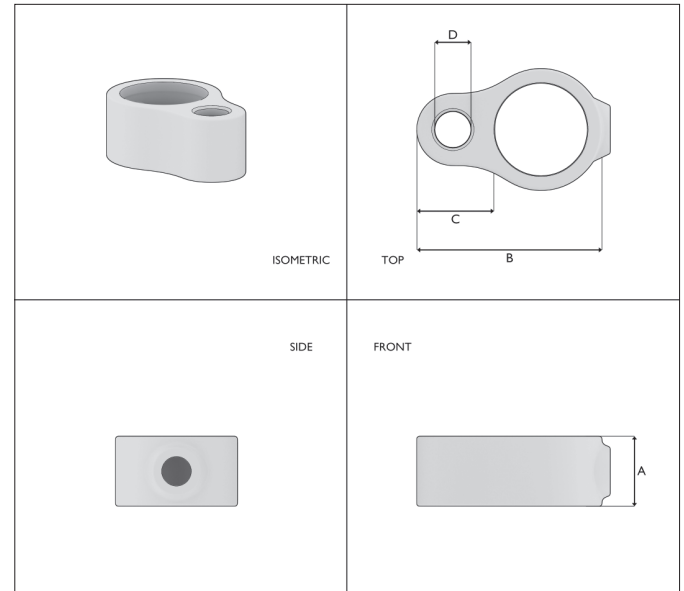
608061B: **120** - 608061C: **95** - 608061D: **70** - 608061E: **65**

TYPE 62 | EYE HINGE

Female hinge fitting for Type 63.



Type	Int.Code	Size	A	B	C	D	BSP	Weight
608062B	138-A27	26,9mm (3/4")	26	64	27	14	1/4"	0,19 kg
608062C	138-B34	33,7mm (1")	25	77	27	14	1/4"	0,21 kg
608062D	138-C42	42,4mm (1 1/4")	26	81	27	14	3/8"	0,24 kg
608062E	138-D48	48,3mm (1 1/2")	26	90	27	14	3/8"	0,27 kg



Number of items per box:

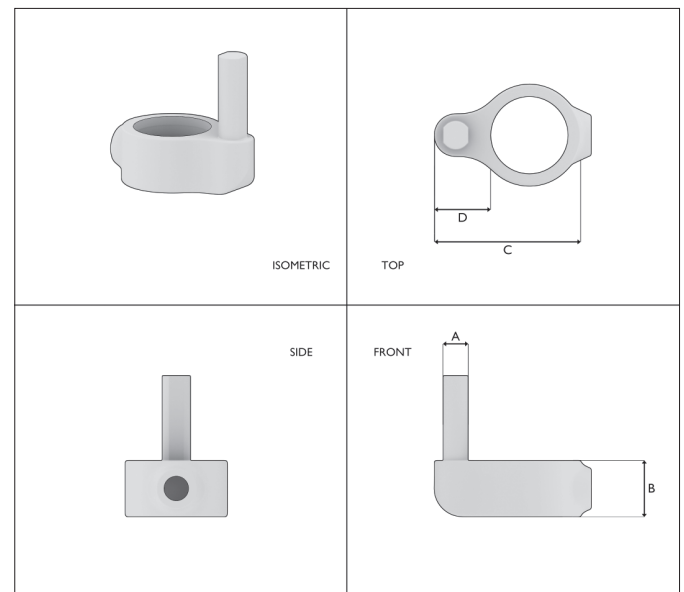
608062B: **140** - 608062C: **90** - 608062D: **80** - 608062E: **80**

TYPE 63 | PIN HINGE

Male hinge fitting to be used in combination with Type 62.



Type	Int.Code	Size	A	B	C	D	BSP	Weight
608063B	140-A27	26,9mm (3/4")	11	26	58	26	1/4"	0,19 kg
608063C	140-B34	33,7mm (1")	11	25	65	25	1/4"	0,21 kg
608063D	140-C42	42,4mm (1 1/4")	11	25	75	26	3/8"	0,24 kg
608063E	140-D48	48,3mm (1 1/2")	11	26	81	26	3/8"	0,27 kg

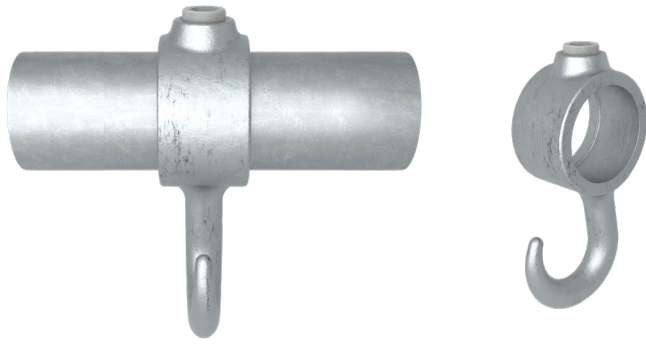


Number of items per box:

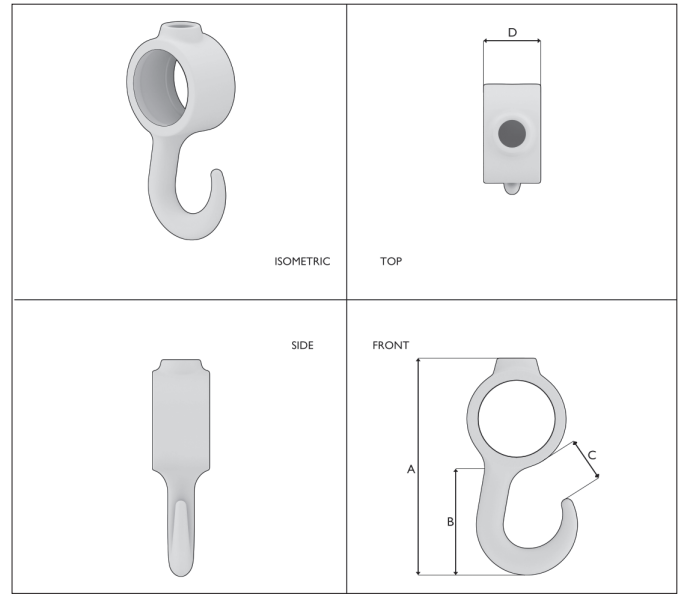
608063B: **90** - 608063C: **80** - 608063D: **70** - 608063E: **60**

TYPE 64 | COAT HOOK

Hook 90°. suited for making coat hangers and the like.



Type	Int.Code	Size	A	B	C	D	BSP	Weight
608064A	182T-T21	21,3mm (½")	68	33	12	22	1/8"	0,11 kg
608064B	182T-A27	26,9mm (¾")	90	47	20	26	1/4"	0,15 kg
608064C	182T-B34	33,7mm (1")	98	48	20	26	1/4"	0,22 kg
608064D	182T-C42	42,4mm (1½")	108	49	20	26	3/8"	0,32 kg
608064E	182T-D48	48,3mm (1½")	114	49	20	26	3/8"	0,34 kg

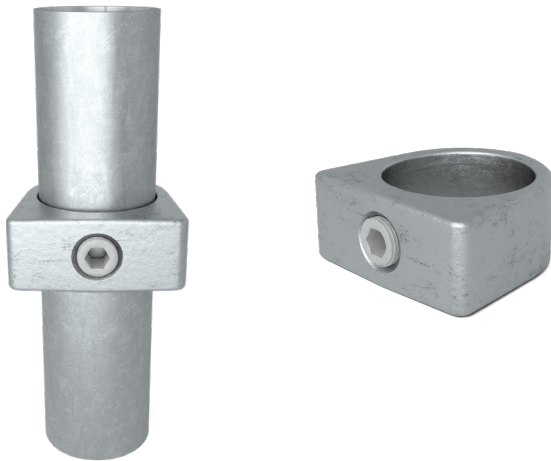


Number of items per box:

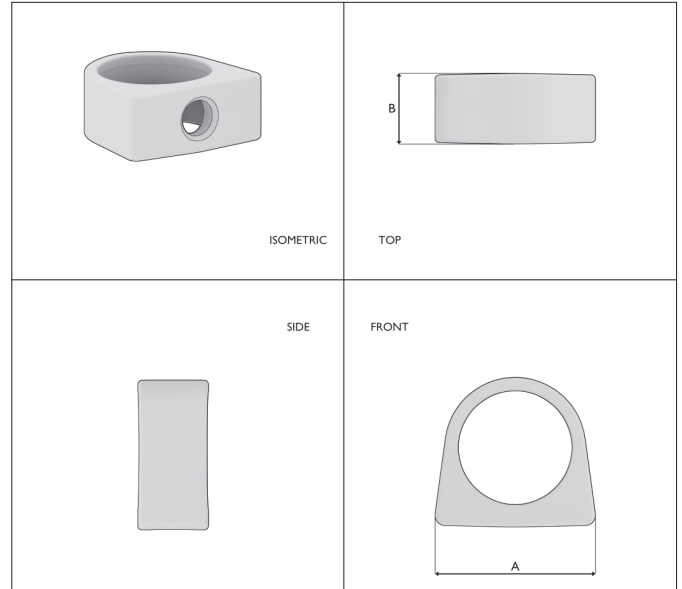
608064A: **200** - 608064B: **115** - 608064C: **100** - 608064D: **80** - 608064E: **65**

TYPE 65 | SUPPORT RING

Support ring for carrying a shelves(s).



Type	Int.Code	Size	A	B	BSP	Weight
608065D	235-C42	42,4mm (1½")	64	28	3/8"	0,26 kg



Number of items per box:

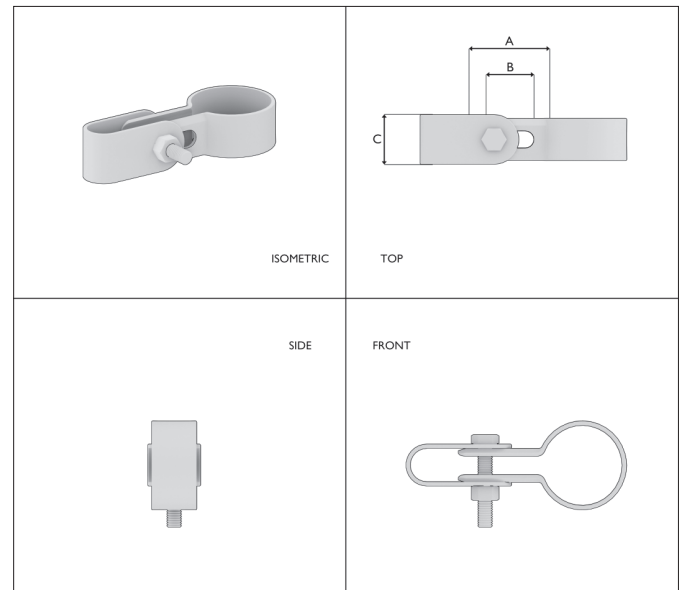
608065D: **85**

TYPE 70 | SINGLE SIDED PANEL CLIP

One-sided mesh panel clip.



Type	Int.Code	Size	A	B	C	Weight
608070B	170-A27	26,9mm (¾")	33	23	19	0,07 kg
608070C	170-B34	33,7mm (1")	36	23	19	0,08 kg
608070D	170-C42	42,4mm (1½")	36	23	19	0,08 kg
608070E	170-D48	48,3mm (1½")	36	23	20	0,08 kg
608070F	170-E60	60,3mm (2")	36	23	19	0,09 kg



Number of items per box:

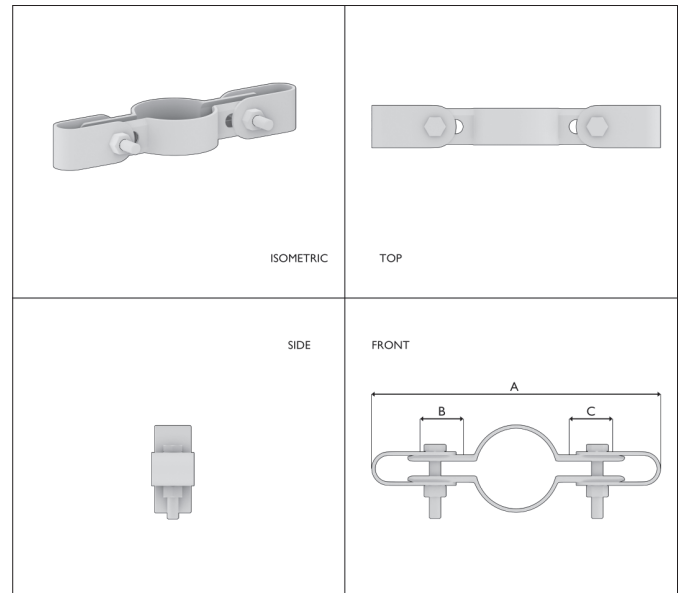
6080070B: **180** - 6080070C: **140** - 6080070D: **120** - 6080070E: **100** - 6080070F: **80**

TYPE 71 | ONE-SIDED MESH PANEL CLIP

Two-sided mesh panel clip.



Type	Int.Code	Size	A	B	C	Weight
608071B	171-A27	26,9mm (3/4")	137	23	23	0,11 kg
608071C	171-B34	33,7mm (1")	152	23	23	0,11 kg
608071D	171-C42	42,4mm (1 1/4")	152	23	23	0,12 kg
608071E	171-D48	48,3mm (1 1/2")	157	23	23	0,12 kg
608071F	171-E60	60,3mm (2")	168	23	23	0,13 kg



Number of items per box:

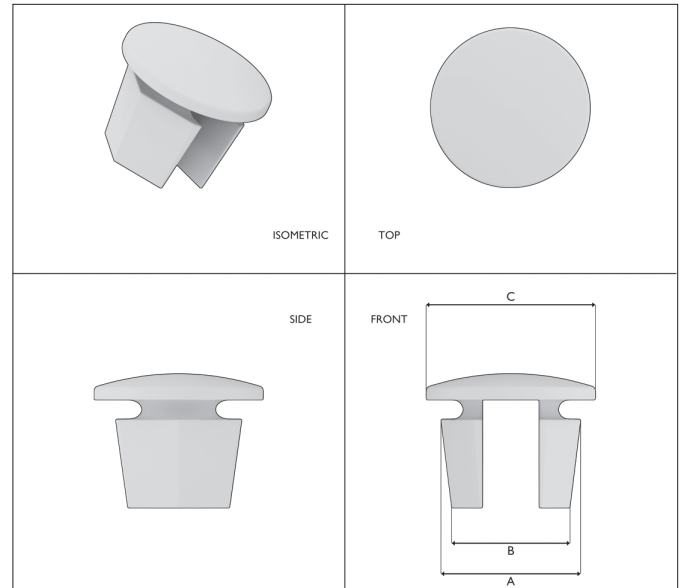
6080071B: **160** - 6080071C: **160** - 6080071D: **120** - 6080071E: **110** - 6080071F: **70**

TYPE 73 | METAL PLUG

Metal cap used to plug the end of the tube.



Type	Int.Code	Size	A	B	C	Weight
608073B	184-A27	26,9mm (3/4")	22	19	27	0,04 kg
608073C	184-B34	33,7mm (1")	29	24	35	0,06 kg
608073D	184-C42	42,4mm (1 1/4")	36	26	43	0,10 kg
608073E	184-D48	48,3mm (1 1/2")	43	34	49	0,14 kg
608073F	184-E60	60,3mm (2")	47	43	60	0,23 kg



Number of items per box:

608073B: **400** - 608073C: **300** - 608073D: **150** - 608073E: **150** - 608073F: **100**
608073C-L: **300** - 608073D-L: **150**



TYPE 74 | PLASTIC PLUG

Plastic Plug. Plastic cap used to plug the end of the tube.

Type	Art.nr. gray	Art.nr. white	Int.code	Size	Weight
608074A	6080G74A		133-T	21,3 mm (½")	2,3 g
608074B	6080G74B		133-A	26,9 mm (¾")	3,0 g
608074C	6080G74C		133-B	33,7 mm (1")	4,5 g
608074D	6080G74D		133-C	42,4 mm (1¼")	5,5 g
608074E	6080G74E	6080W74E	133-D	48,3 mm (1½")	10,5 g
608074F	6080G74F		133-E	60,3 mm (2")	16,0 g



TYPE 75 | ALLEN KEY

Allen key for tubefittings.

Type	Int.cod	Size	Weight
608075A	235-T	For type A - 5 mm 1/8"	49 g
608075BC	235-AB	For type B / C - 6,5 mm - 1/4"	49 g
608075DEF	235-CDE	For type D / E / F - 8 mm - 5/16"	84 g
608075DEF-KK		For type D / E / F	84 g



TYPE 76 | STAINLESS STEEL SET SCREWS

Set screw with Type BSPT thread for tubefittings.

Type	Int.cod	Size	Weight
608076A		1/8" (for type A)	3 g
608076BC	300	1/4" (for type B / C en 25 mm)	7 g
608076DEF	301	3/8" (for type D / E / F en 40 mm)	14 g



TYPE 77 | STEEL SET SCREWS

Set screw with Type BSPT thread for tubefittings.



TYPE 78 | PLASTIC SCREW CAP

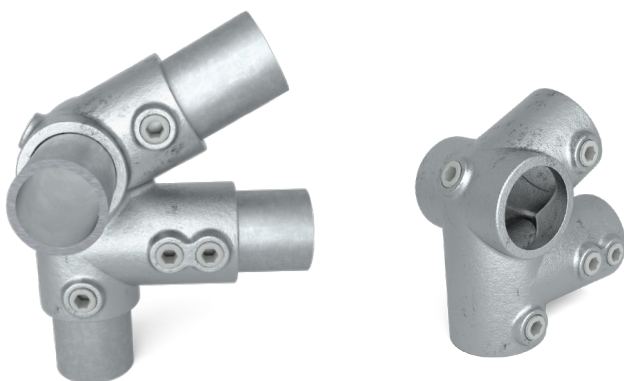
Plastic screw cap gray (25 pc).

Type	Size	Weight	Quantity per bag
608078A	For type A	8 g	25
608078BC	For type B / C en 25 mm	12 g	25
608078DEF	For type D / E / F en 40 mm	17 g	25

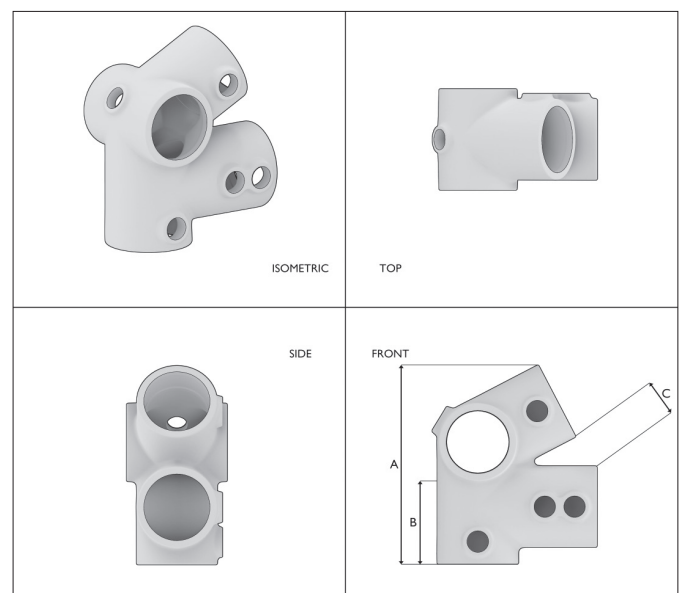


TYPE 85 | GALV. EVES FITTINGS 27½°

This tubefittings usually combination Type 91E.



Type	Int.Code	Size	A	B	C	BSP	Weight
608085B	185-A27	26,9mm (¾")	93	40	19	1/4"	0,49 kg
608085D	185-C42	42,4mm (1¼")	134	56	24	3/8"	0,11 kg
608085E	185-D48	48,3mm (1½")	146	59	23	3/8"	1,21 kg



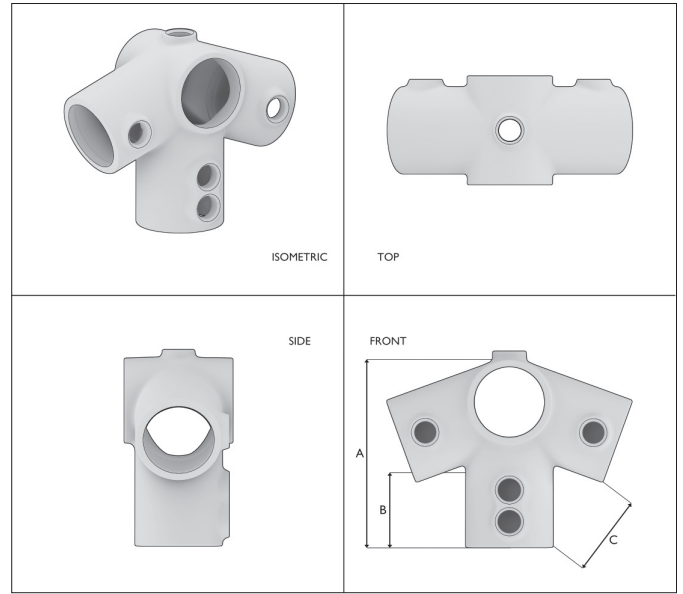
Number of items per box:
608085B: 40 - 608085D: 10 - 608085E: 8

TYPE 91 | GALV. RIDGE FITTINGS 27½°

Used for a roof construction and usually combination Type 85E.



Type	Int.Code	Size	A	B	C	BSP	Weight
608091B	I91-A27	26,9mm (¾")	88	39	42	1/4"	0,49 kg
608091D	I91-C42	42,4mm (1¼")	119	47	51	3/8"	1,06 kg
608091E	I91-D48	48,3mm (1½")	119	25	35	3/8"	0,94 kg

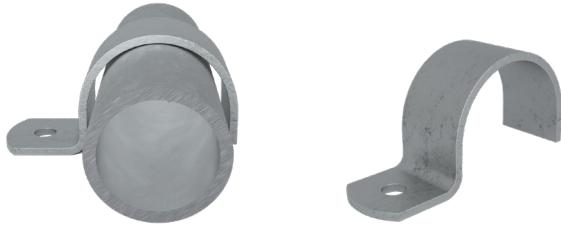


Number of items per box:

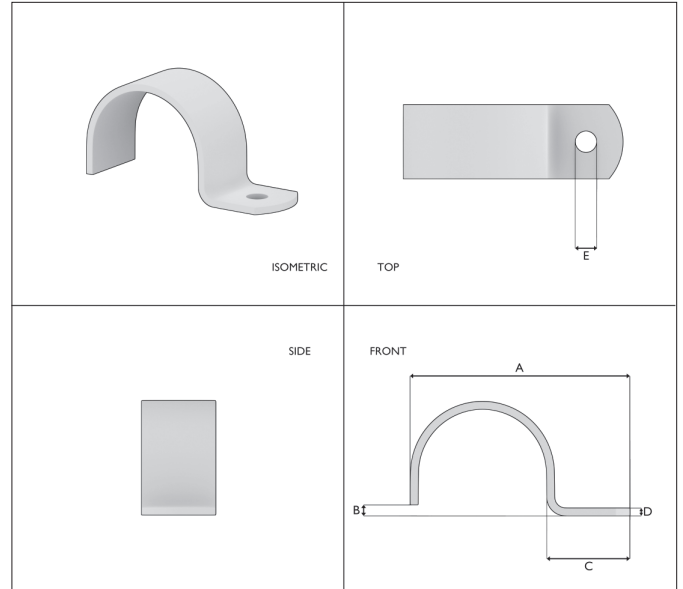
608091B: 40 - 608091D: 10 - 608091E: 10

TYPE 100 | SADDLE CLAMP

Our steel cap brackets are electrolytically galvanized and therefore rust-resistant. These so-called single-lip cover brackets are available for tube sizes 21.3 mm up to 60.3 mm. Extremely suitable for mounting blades on a tubular frame base.



Type	Int.Code	Size	A	B	C	D	E	Weight
608100A	LUG-T21	21,3mm (½")	43	3	21	2	6	0,02 kg
608100B	LUG-A27	26,9mm (¾")	52	4	23	2	6	0,03 kg
608100C	LUG-B34	33,7mm (1")	59	3	23	2	6	0,03 kg
608100D	LUG-C42	42,4mm (1¼")	72	9	27	3	6	0,08 kg
608100E	LUG-D48	48,3mm (1½")	78	5	27	3	6	0,09 kg
608100F	LUG-E60	60,3mm (2")	92	7	29	3	6	0,12 kg

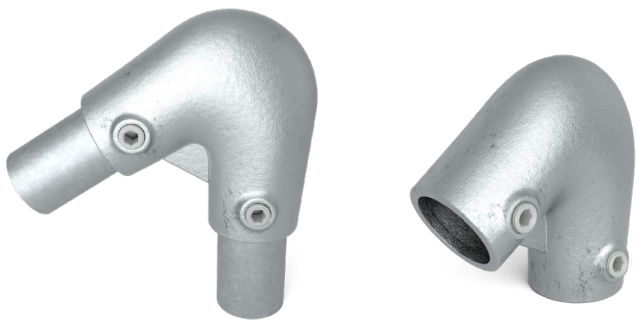


Number of items per box:

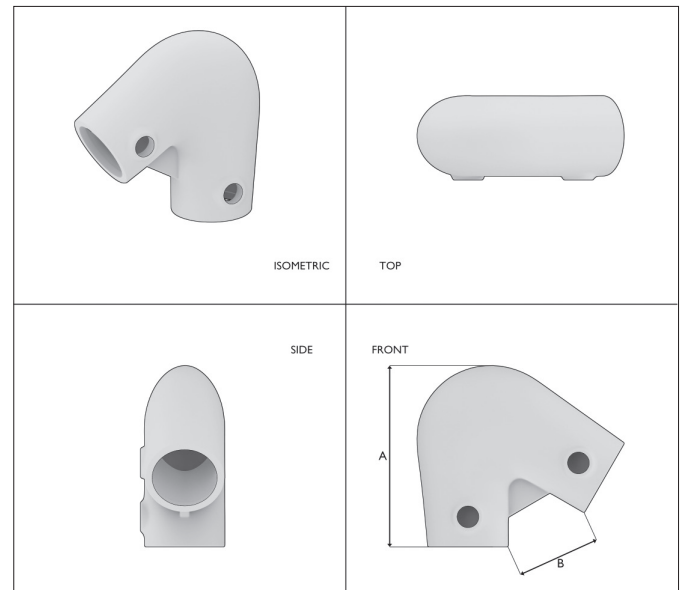
608100A: 700 - 608100B: 600 - 608100C: 500 - 608100D: 300 - 608100E: 220 - 608100F: 100

TYPE 123 | GALV. VARIABLE ELBOW 40° - 70°

Elbow coupling as end stop for the overhead rail with a variable angle of 40° - 70°. Usually used for handrails on stairs.



Type	Int.Code	Size	A	B	BSP	Weight
608123D	I23-C42	42,4mm (1¼")	139	56	3/8"	1,16 kg
608123E	I23-D48	48,3mm (1½")	147	8	3/8"	1,27 kg

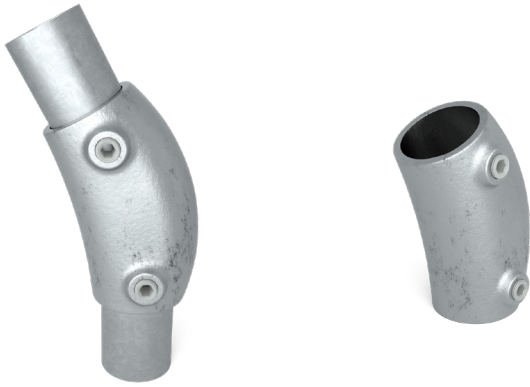


Number of items per box:

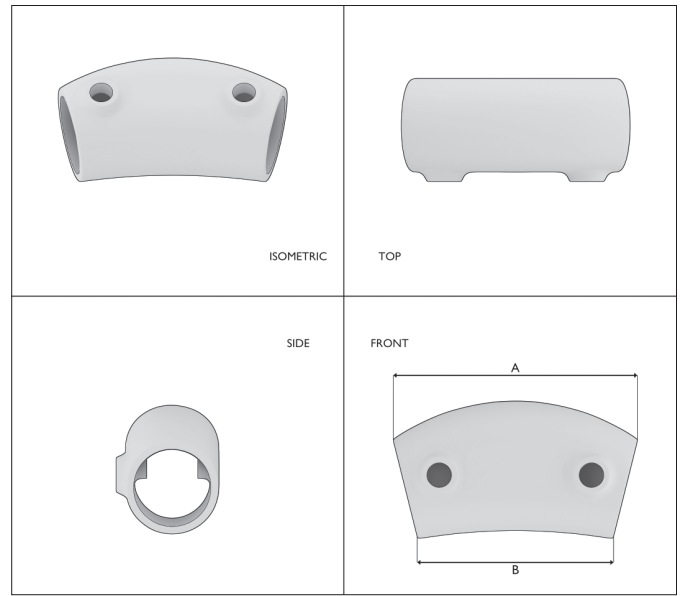
608123D: 20 - 608123E: 8

TYPE 124 | GALV. VARIABLE ELBOW 15° - 60°

Elbow coupling as end stop for the overhead rail with a variable angle of 15° - 60°. Usually used with vertical uprights for stairs.



Type	Int.Code	Size	A	B	BSP	Weight
608124C	I24-B34	33,7mm (1")	109	87	1/4"	0,49 kg
608124D	I24-C42	42,4mm (1 1/4")	142	116	3/8"	0,78 kg
608124E	I24-D48	48,3mm (1 1/2")	142	103	3/8"	0,89 kg

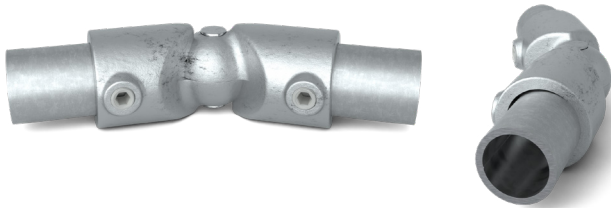


Number of items per box:

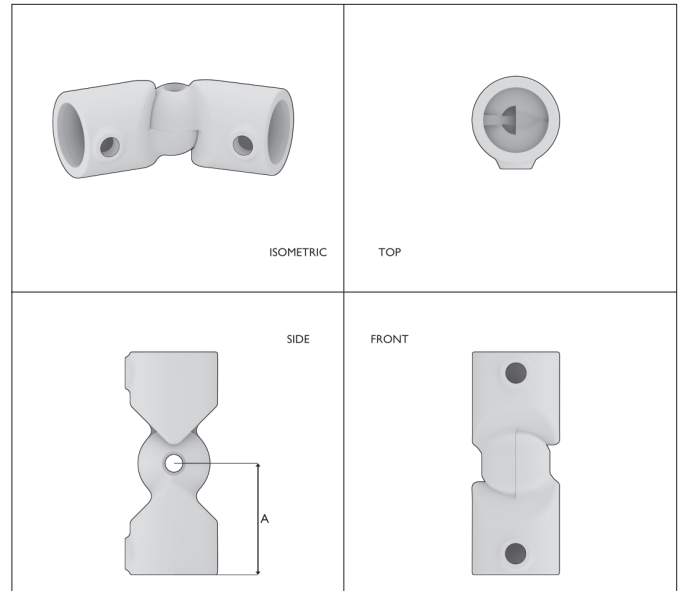
608124C: 30 - 608124D: 15 - 608124E: 15

TYPE 125 | VARIABLE ELBOW

Variable elbow fitting. This tubefitting can make a minimum angle of 75 degrees to a maximum of 210 degrees.



Type	Int.Code	Size	A	BSP	Weight
608125C	I25H-B34	33,7mm (1")	59	1/4"	0,58 kg
608125D	I25H-C42	42,4mm (1 1/4")	73	3/8"	0,83 kg
608125E	I25H-D48	48,3mm (1 1/2")	83	3/8"	1,06 kg

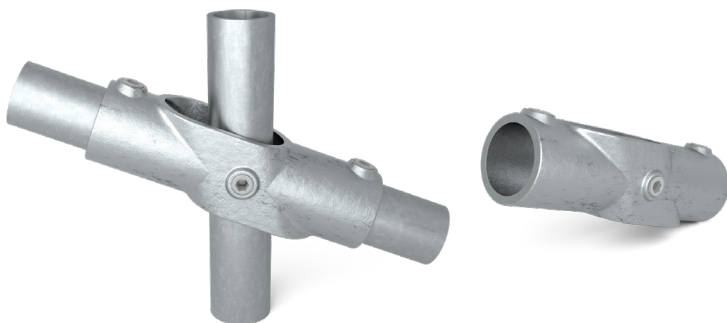


Number of items per box:

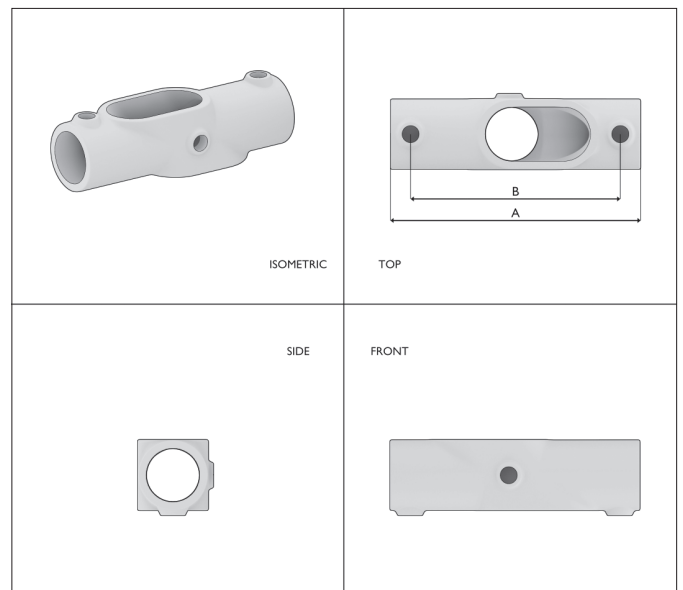
608125C: 35 - 608125D: 20 - 608125E: 15

TYPE 126 | ANGLE CROSS 0°- 45°

Connection clamp between the middle rail and the railing posts of sloping railings up to 45°.



Type	Int.Code	Size	A	B	BSP	Weight
608126D	I26-C42	42,4mm (1 1/4")	190	162	3/8"	1,00 kg
608126E	I26-D48	48,3mm (1 1/2")	218	186	3/8"	1,18 kg

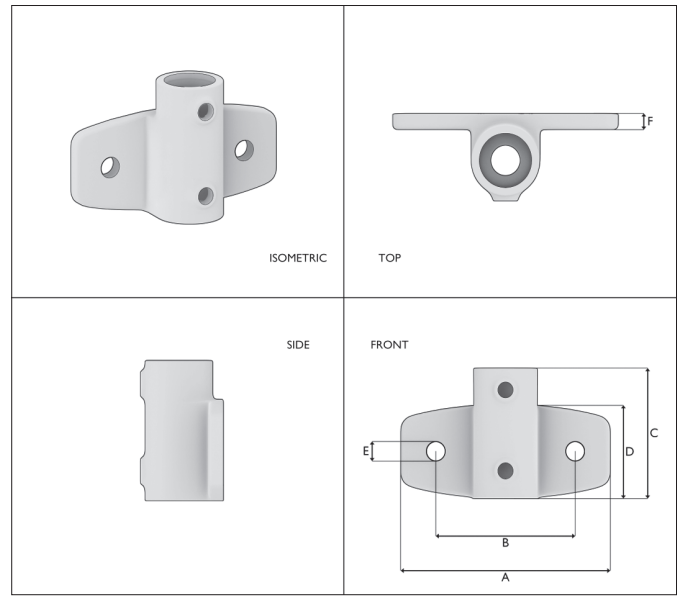
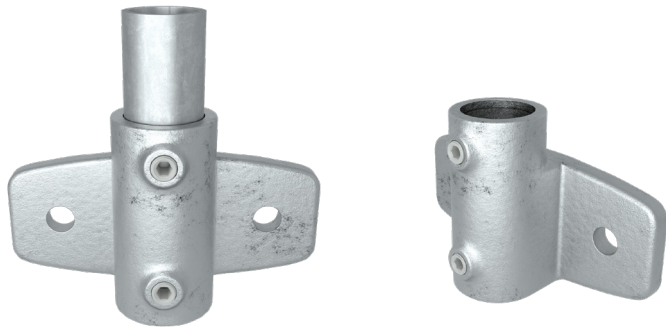


Number of items per box:

608126D: 12 - 608126E: 12

TYPE 146 | GALV. HEAVY DUTY SIDE PALM

Extra heavy fascia attachment for vertical posts. This clamp is not suitable for continuous tubes.



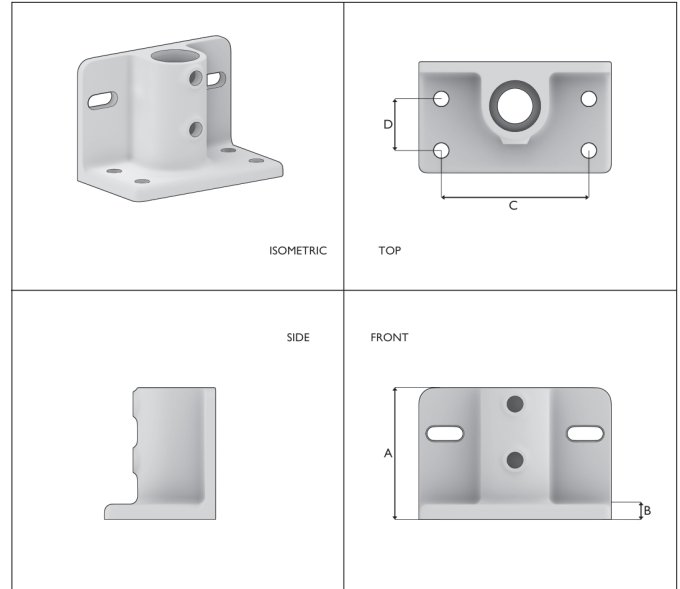
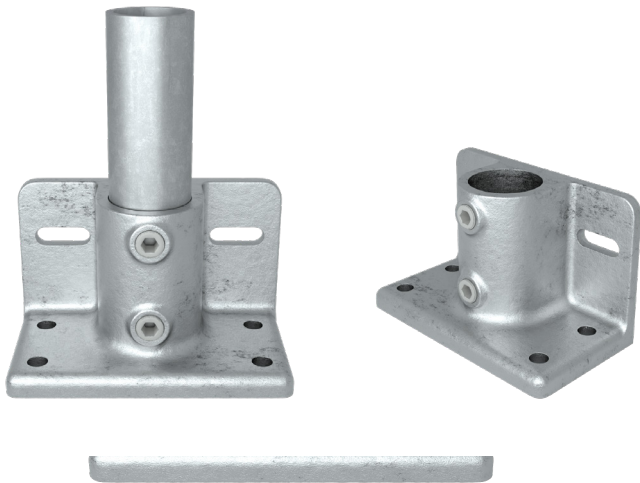
Type	Int.Code	Size	A	B	C	D	E	F	BSP	Weight
608146C	246-B34	33,7mm (1")	150	100	90	65	14	10	1/4"	1,79 kg
608146D	246-C42	42,4mm (1 1/4")	150	100	90	65	14	10	3/8"	2,08 kg
608146E	246-D48	48,3mm (1 1/2")	150	100	90	65	14	14	3/8"	2,61 kg

Number of items per box:

608146C: 15 - 608146D: 15 - 608146E: 14

TYPE 147 | FLANGE WITH TOEBOARD ADAPTOR

Extra heavy footplate for attachment against a shovel edge. Usually used on roofs.

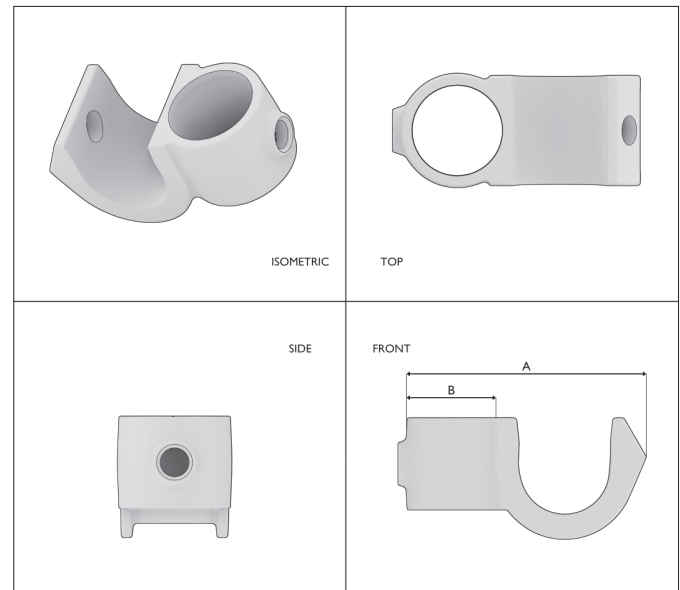
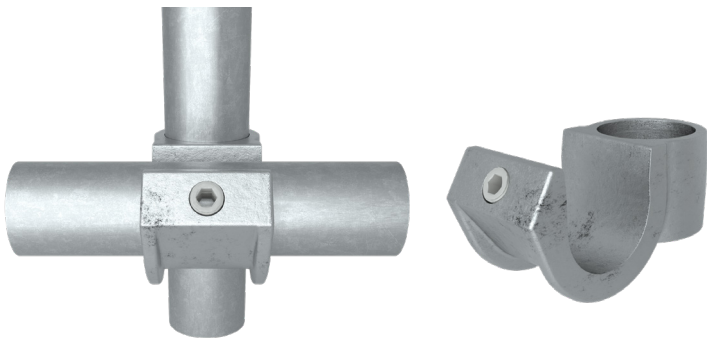


Number of items per box:

608147D: 10 - 608147E: 8

TYPE 201 | CLAMP-ON CROSSOVER

Open cross connection where the railing is placed in the connection and can then be secured.



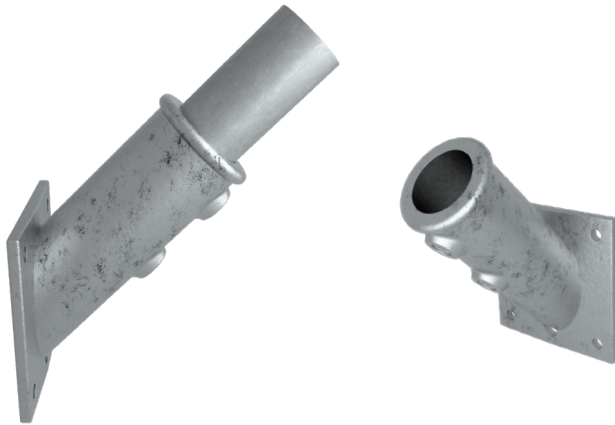
Type	Int.Code	Size	A	B	BSP	Weight
608201D	201-C42	42,4mm (1 1/4")	122	45	3/8"	0,67 kg
608201E	201-D48	48,3mm (1 1/2")	149	46	3/8"	0,89 kg

Number of items per box:

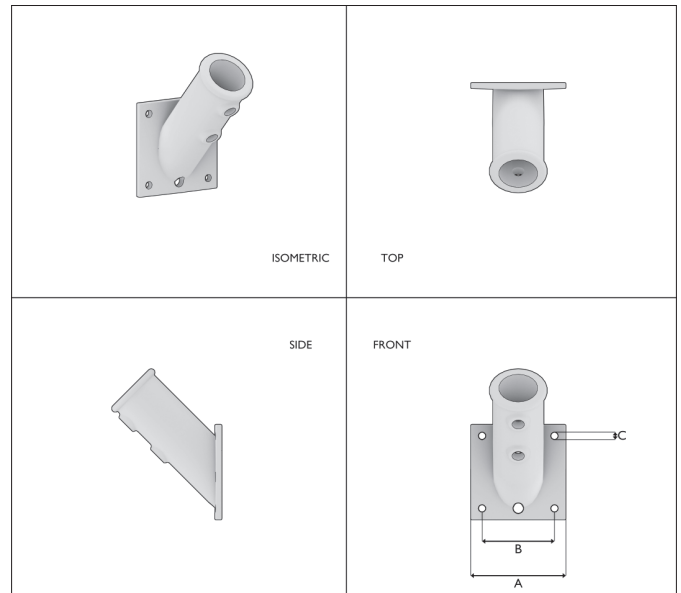
608201D: 25 - 608201E: 15

TYPE FP1 | FLAGSTAFF HOLDER

This flag pole holder ensures that your flag is at an angle of 45 degrees, so that the flag can wave proudly.



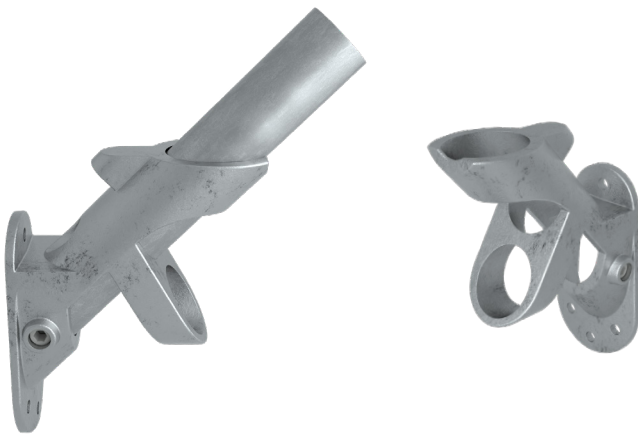
Type	Int.Code	Size	A	B	C	BSP	Weight
6080FP1	260-B34	33,7mm (1")	85	65	10	3/8"	0,59 kg



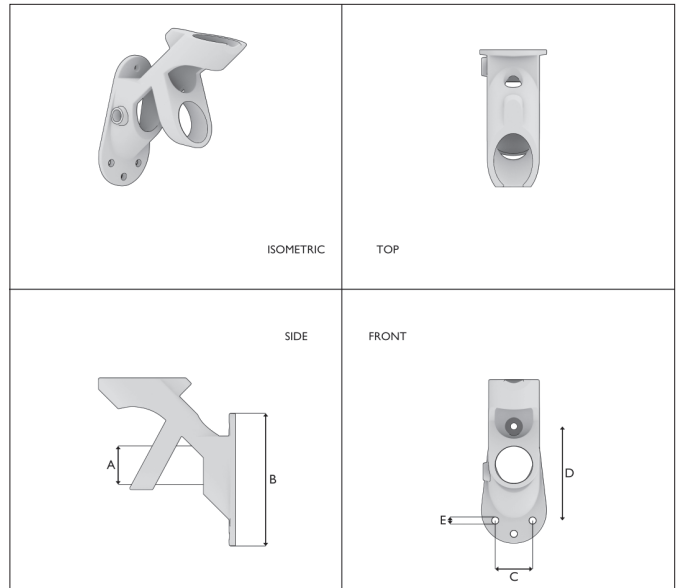
Number of items per box:
6080FP1: 20

TYPE FP2 | FLAGSTAFF HOLDER

This flag pole holder ensures that your flag is at an angle of 45 degrees, so that the flag can wave proudly.



Type	Int.Code	Size	A	B	C	D	E	BSP	Weight
6080FP2	260F-B34	33,7mm (1")	35	119	34	87	7	3/8"	0,60 kg



Number of items per box:
6080FP2: 15



TYPE 131523 | ALUMINUM COLLAPSIBLE BRACE

This extruding aluminum collapsible brace allows you to fix signs to a pole or tube. Applications: advertising signs, parking signs, traffic signs.

Type	Size	Weight
131523	48,3 mm (1½")	0,34 kg



TYPE 101-0430 | ROTATING COUPLING

We also supplies clamp systems for heavy applications. This rotatable coupling allows you to fix two tubes with a variable angle coupling with a fixed pin.

Type	Size	Weight
101-0430	48,3 mm (1½")	1,65 kg



TYPE 608429 | ROTATING COUPLING WITH BOLT

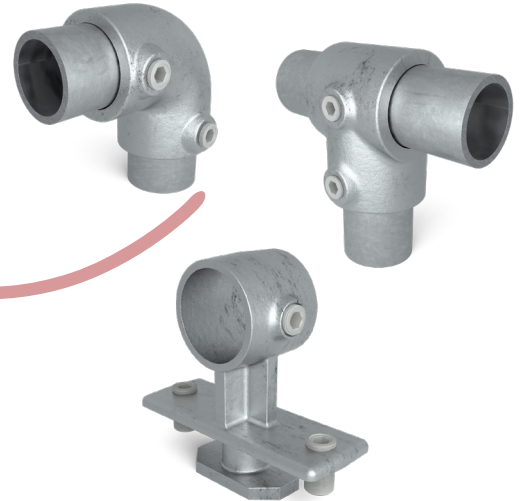
With this rotatable coupling, you fix two tubes (42.4/48.3 mm) together with a variable angle connection via two bolts.

Type	Size	Weight
608429	42,4 / 48,3 mm	1,46 kg

CONTAINER tube fittings

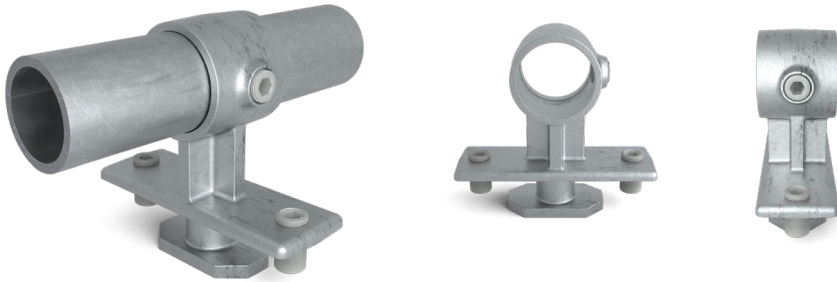


With the container frame, you can install a complete billboard within an hour!
 The container frame works with a unique patented clamping system, which is attached in a simple and safe manner without damaging the container.
 Many combinations are possible, and an application can be created for every event or occasion.

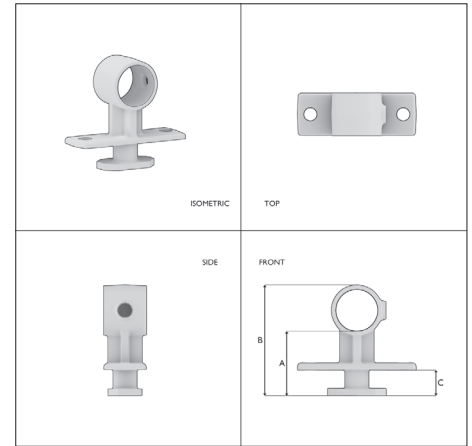


TYPE C3400 | CONTAINER CLAMP

Tube fitting for attaching a frame or structure to the front of the container.



Type	Int.Code	Size	A	B	C	BSP	Weight
6080C3400	3400	48,3mm (1½")	70	130	30	3/8"	1,08 kg

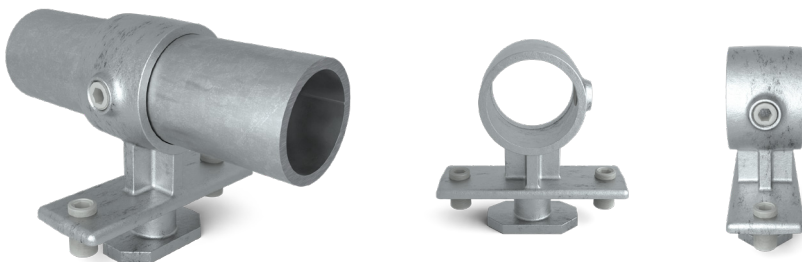


Number of items per box:

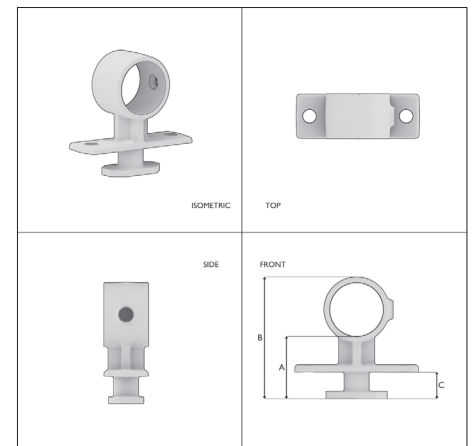
6080C3400F: 12

TYPE C3400F | CONTAINER CLAMP

Tube fitting for attaching a frame or structure to the front of the container.



Type	Int.Code	Size	A	B	C	BSP	Weight
6080C3400F	3400F	60,3mm (2")	64	137	30	3/8"	1,20 kg

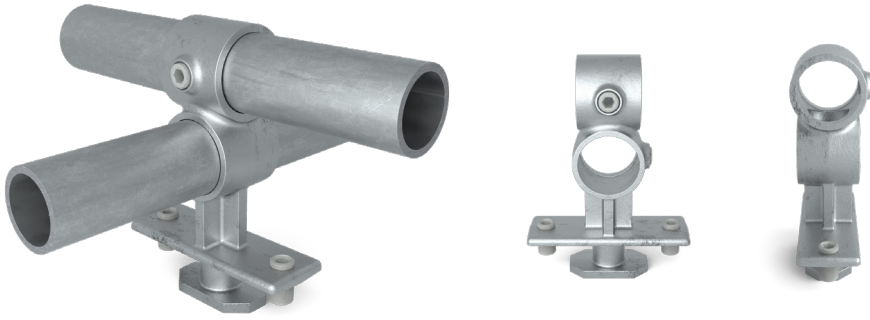


Number of items per box:

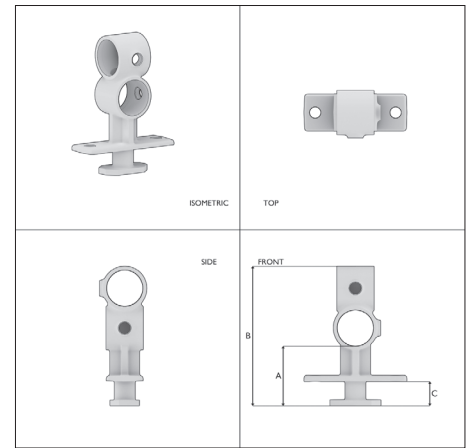
6080C3400F: 10

TYPE C3449 | CONTAINER CLAMP 48,3 MM

Container clamp for attaching a frame or structure to the front of the container for mounting a single large frame on multiple containers.



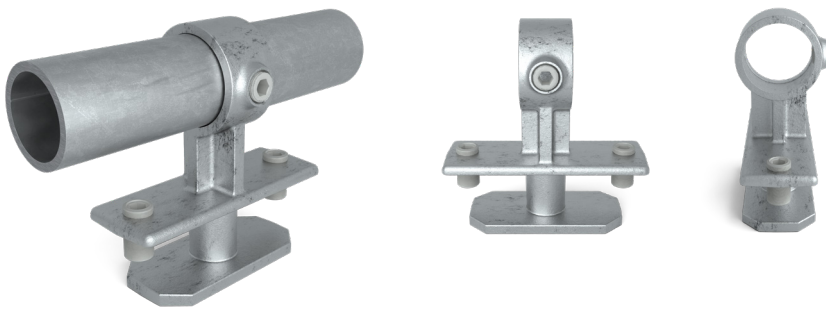
Type	Int.Code	Size	A	B	C	BSP	Weight
6080C3428	3428	48,3mm (1½")	76	189	33	3/8"	1,38 kg



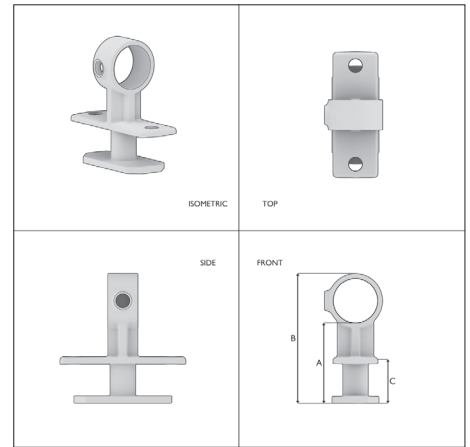
Number of items per box:
6080C3428: 10

TYPE C3428 | CONTAINERCLAMP 48,3 MM

Container clamp to attach frame or construction to front of container to fit one large frame to several containers.



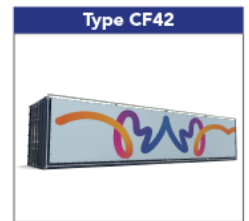
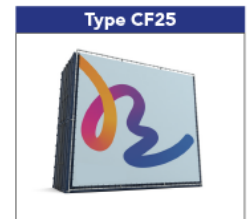
Type	Int.Code	Size	A	B	C	BSP	Weight
6080C3449	3449	48,3mm (1½")	27	143	43	3/8"	1,19 kg



Number of items per box:
6080C3449: 12

STANDARD VARIANTS CONTAINER FRAMES

A container frame with advertising is a smart way for a company to commercially utilise spaces that are already visible. Now also available for 40-foot containers.



TYPE CFDTs | BANNER HOLDER WITH SWIVEL TOP

With this complete set, you can equip a container with an always legible banner. Suitable for 20 and 40 ft. Available for 48 and 60 mm tubes. This item consists of a tube as a flagpole, container fittings, the banner holder, and a swivel top set.



BLACK tube fittings



A large proportion of our couplings and tubes are also available in black. These BLACK tube fittings are often used in interior applications and for frames where a distinctive, stylish look is desired.

Minor damage may cause slight rusting; we therefore recommend this version for indoor use in particular. **In the first quarter of 2026, we will also be introducing a new generation of black connectors that will also be suitable for outdoor applications.**

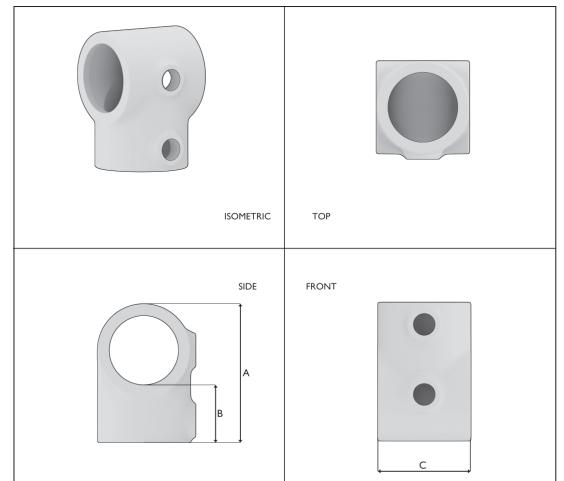


TYPE 2 BLACK | SHORT TEE

Provides a perpendicular connection between two tubes. Top fitting or straight and level railing uprights. This fitting cannot be used to join horizontal tube within the fitting.



Type	Int.Code	Size	A	B	C	BSP	Weight
6080Z02A	I01-T21	21,3mm (½")	51	24	32	1/8"	0,13 kg
6080Z02B	I01-A27	26,9mm (¾")	60	29	37	1/4"	0,20 kg
6080Z02C	I01-B34	33,7mm (1")	69	28	47	1/4"	0,30 kg
6080Z02D	I01-C42	42,4mm (1½")	87	37	55	3/8"	0,44 kg
6080Z02E	I01-D48	48,3mm (1½")	98	43	60	3/8"	0,51 kg



Number of items per box:

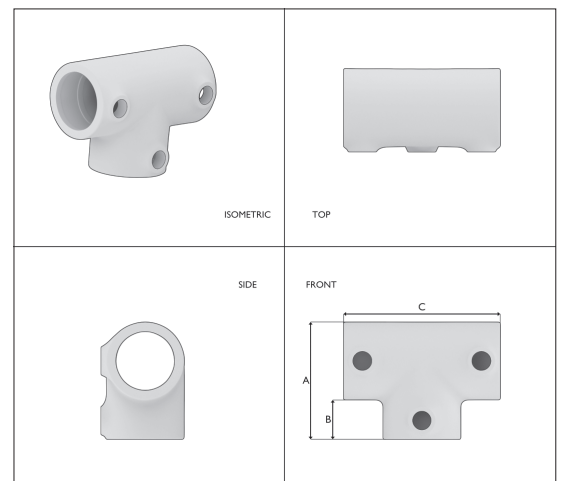
6080Z02A: **140** - 6080Z02B: **90** - 6080Z02C: **55** - 6080Z02D: **30** - 6080Z02E: **20**

TYPE 4 BLACK | THREE SOCKET TEE

Similar to Type 2. This fitting can be used where a join is require in the horizontal tube.



Type	Int.Code	Size	A	B	C	BSP	Weight
6080Z04B	I04-A27	26,9mm (¾")	60	23	82	1/4"	0,33 kg
6080Z04C	I04-B34	33,7mm (1")	64	23	92	1/4"	0,46 kg
6080Z04D	I04-C42	42,4mm (1½")	87	33	120	3/8"	0,76 kg
6080Z04E	I04-D48	48,3mm (1½")	98	38	136	3/8"	0,96 kg



Number of items per box:

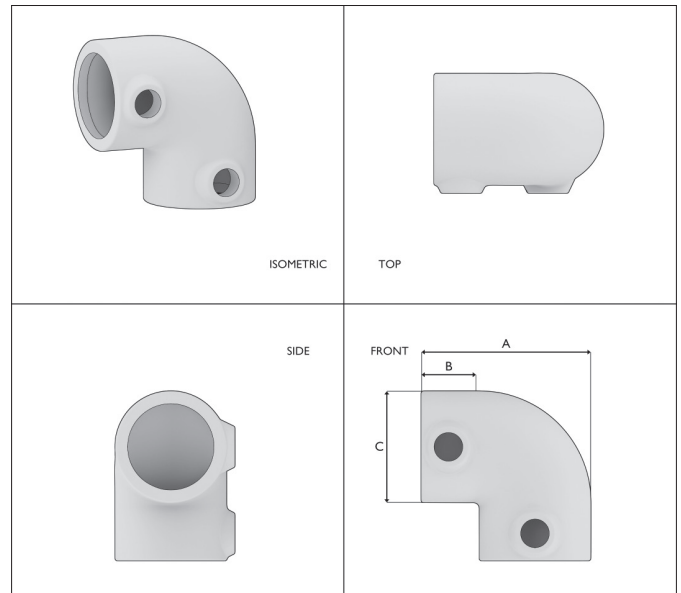
6080Z04B: **50** - 6080Z04C: **30** - 6080Z04D: **15** - 6080Z04E: **12**

TYPE 6 BLACK | ELBOW 90°

Elbow joint fitting (90°) used as an end fitting the top rail.



Type	Int.Code	Size	A	B	C	BSP	Weight
6080Z06A	I25-T21	21,3mm (½")	50	19	32	1/8"	0,13 kg
6080Z06B	I25-A27	26,9mm (¾")	60	22	37	1/4"	0,20 kg
6080Z06C	I25-B34	33,7mm (1")	69	22	45	1/4"	0,30 kg
6080Z06D	I25-C42	42,4mm (1¼")	87	32	55	3/8"	0,44 kg
6080Z06E	I25-D48	48,3mm (1½")	98	35	60	3/8"	0,51 kg



Number of items per box:

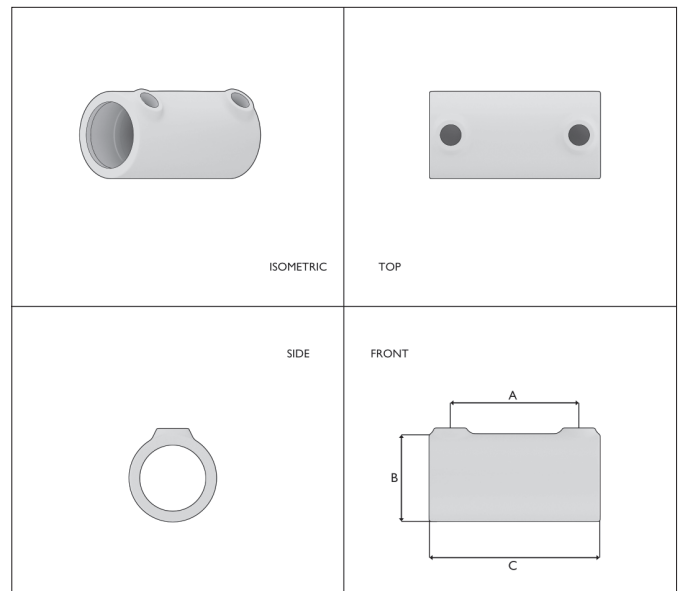
6080Z06A: **120** - 6080Z06B: **80** - 6080Z06C: **50** - 6080Z06D: **25** - 6080Z06E: **25**

TYPE 8 BLACK | STRAIGHT COUPLING

Joint clamp for tubes of the same diameter. Do not use for heavy vertical loads. Alternative clamp is Type 9 used as an internal spigot.



Type	Int.Code	Size	A	B	C	BSP	Weight
6080Z08B	I49-A27	26,9mm (¾")	54	37	76	1/4"	0,22 kg
6080Z08C	I49-B34	33,7mm (1")	67	46	89	1/4"	0,38 kg
6080Z08D	I49-C42	42,4mm (1¼")	74	55	102	3/8"	0,52 kg
6080Z08E	I49-D48	48,3mm (1½")	70	60	102	3/8"	0,57 kg



Number of items per box:

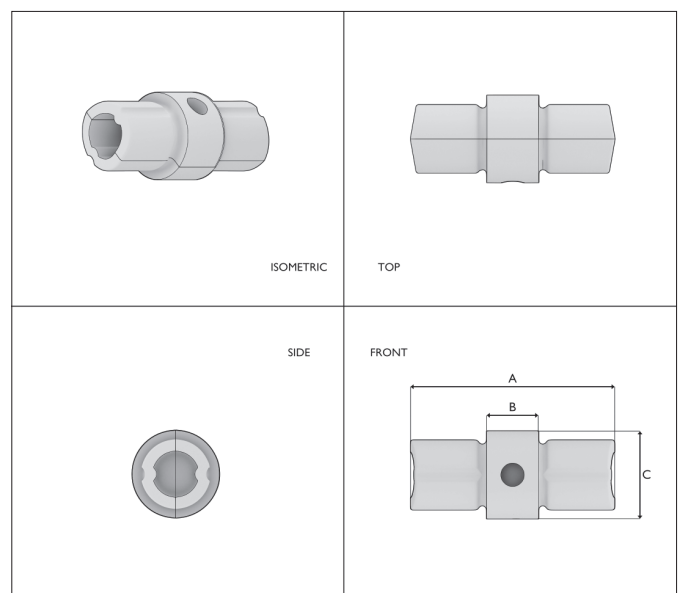
6080Z08B: **80** - 6080Z08C: **45** - 6080Z08D: **35** - 6080Z08E: **30**

TYPE 9 BLACK | INTERNAL COUPLING (SET)

A streamlined flush joint in to tubes of the same size. Wall thickness must be 3.2 mm. Do not apply direct loads to this joint.



Type	Int.Code	Size	A	B	C	BSP	Weight
6080Z09B	I50-A27	26,9mm (¾")	76	22	26	1/4"	0,11 kg
6080Z09C	I50-B34	33,7mm (1")	75	19	26	1/4"	0,21 kg
6080Z09D	I50-C42	42,4mm (1¼")	75	19	35	3/8"	0,34 kg
6080Z09E	I50-D48	48,3mm (1½")	75	19	40	3/8"	0,23 kg



Number of items per box:

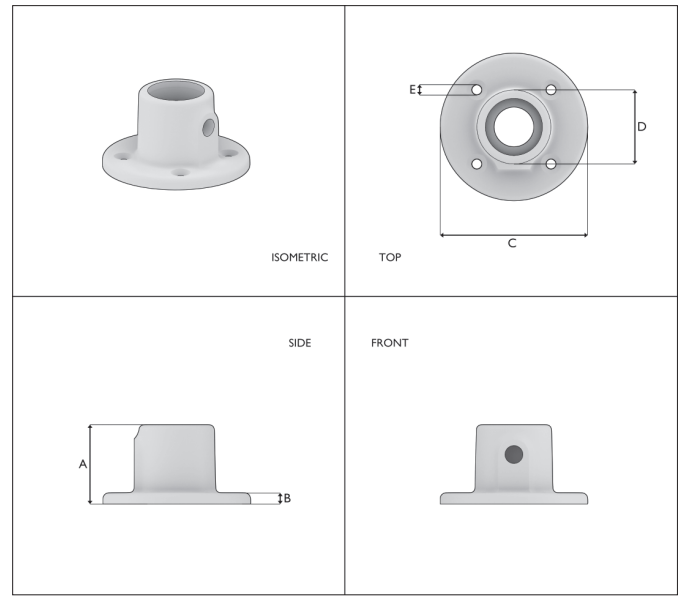
6080Z09B: **150** - 6080Z09C: **100** - 6080Z09D: **70** - 6080Z09E: **50**

TYPE 10 BLACK | FLANGE

This clamp is used on structures where positional fixing is required.
Do not use as a base flange to support guard railings or similar systems.



Type	Int.Code	Size	A	B	C	D	E	BSP	Weight
6080Z10A	I31-T21	21,3mm (½")	32	6	74	30	6,5	1/8"	0,23 kg
6080Z10B	I31-A27	26,9mm (¾")	40	7	80	38	6,5	1/4"	0,27 kg
6080Z10C	I31-B34	33,7mm (1")	48	7	90	46	6,5	1/4"	0,42 kg
6080Z10D	I31-C42	42,4mm (1½")	51	7	102	54	6,5	3/8"	0,43 kg
6080Z10E	I31-D48	48,3mm (1½")	59	8	114	60	6,5	3/8"	0,63 kg



Number of items per box:

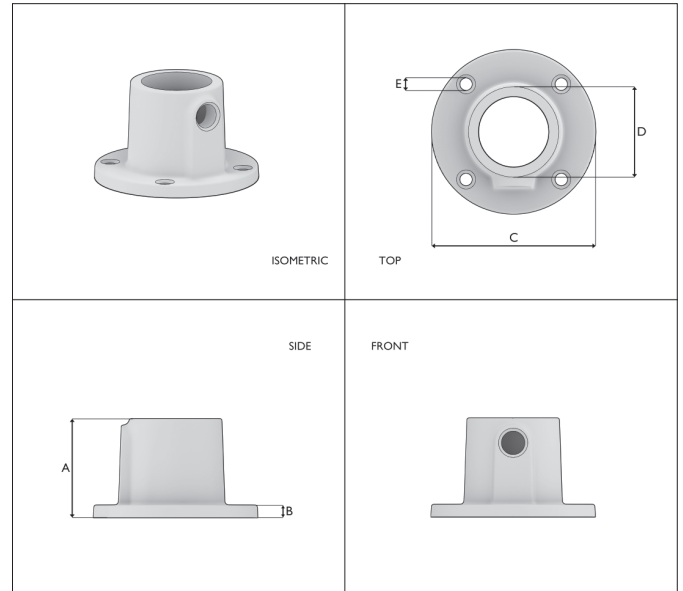
6080Z10A: **100** - 6080Z10B: **55** - 6080Z10C: **40** - 6080Z10D: **35** - 6080Z10E: **20**

TYPE 10T BLACK | ROUND BASE PLATE OPEN

This tubefitting is suitable for constructions where the tube has to run through.
Suitable for the use of e.g. intermediate shelves



Type	Int.Code	Size	A	B	C	D	E	BSP	Weight
6080Z10TA	I31TX-T21	21,3mm (½")	32	4	64	35	6	1/8"	0,18 kg
6080Z10TB	I31TX-A27	26,9mm (¾")	42	4	70	38	6,1	1/4"	0,23 kg
6080Z10TC	I31TX-B34	33,7mm (1")	48	6	80	46	6,5	1/4"	0,42 kg
6080Z10TD	I31TX-C42	42,4mm (1½")	55	6	100	53	6,5	3/8"	0,51 kg



Number of items per box:

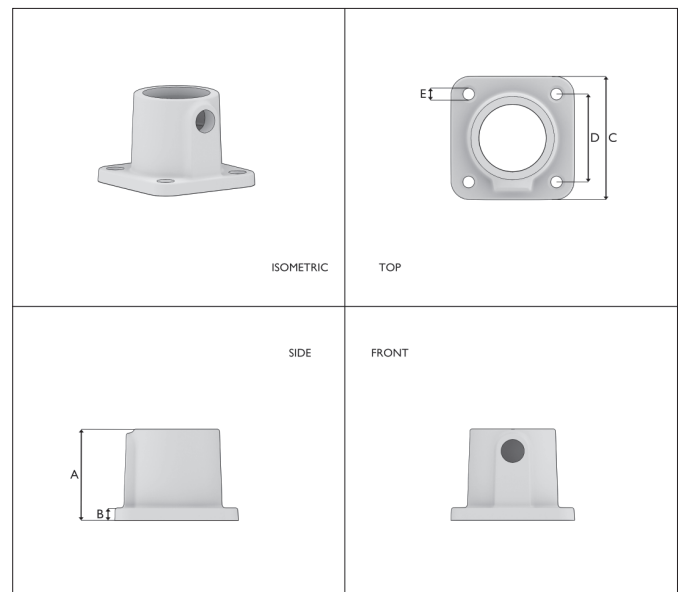
6080Z10TA: **110** - 6080Z10TB: **70** - 6080Z10TC: **40** - 6080Z10TD: **25**

TYPE 11 BLACK | SQUARE BASE PLATE

Use this tubefitting for positioning constructions. Due to the shape of the base plate, it can be fixed nicely on a surface at a 90° angle. Do not use it as a base for supporting safety railings or similar constructions



Type	Int.Code	Size	A	B	C	D	E	BSP	Weight
6080Z11A	F131-T21	21,3mm (½")	32	4	51	35	6,5	1/8"	0,15 kg
6080Z11B	F131-A27	26,9mm (¾")	42	4	55	40	6,5	1/4"	0,21 kg
6080Z11C	F131-B34	33,7mm (1")	48	7	65	46	6,5	1/4"	0,34 kg
6080Z11D	F131-C42	42,4mm (1½")	55	7	77	57	8	3/8"	0,47 kg
6080Z11E	F131-D48	48,3mm (1½")	59	8	86	63	8	3/8"	0,64 kg



Number of items per box:

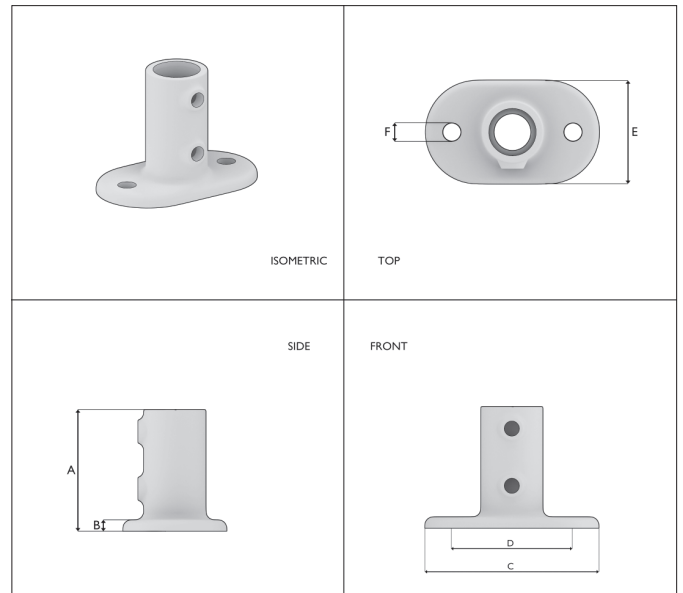
6080Z11A: **130** - 6080Z11B: **85** - 6080Z11C: **45** - 6080Z11D: **30** - 6080Z11E: **25**

TYPE 12 BLACK | RAILING BASE FLANGE

Strong baseplate to support vertical post. Vertical wide rib with two setscrews increases the strength of the clamp.
The fixing holes in the base flange should be in line with the applied load.



Type	Int.Code	Size	A	B	C	D	E	F	BSP	Weight
6080Z12B	I32-A27	26,9mm (3/4")	76	8	116	76	64	11	1/4"	0,60 kg
6080Z12C	I32-B34	33,7mm (1")	89	8	128	89	76	14	1/4"	0,81 kg
6080Z12D	I32-C42	42,4mm (1 1/4")	89	10	140	102	75	14	3/8"	1,02 kg
6080Z12E	I32-D48	48,3mm (1 1/2")	89	10	155	115	85	14	3/8"	1,25 kg



Number of items per box:

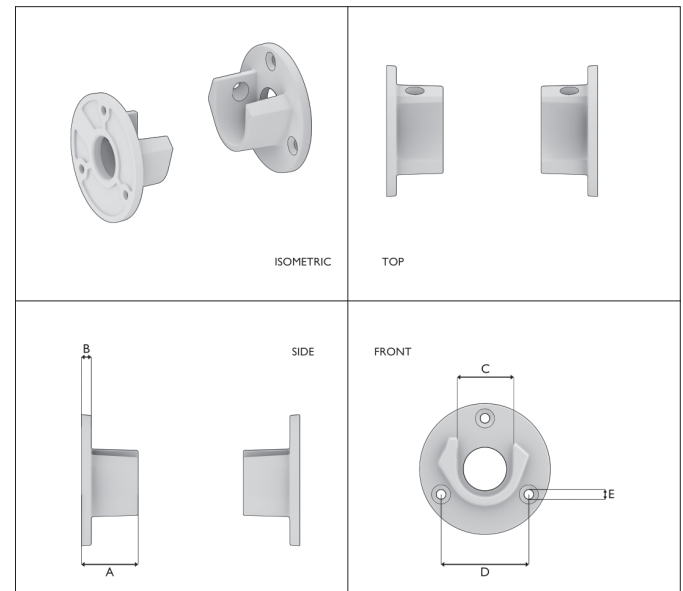
6080Z12B: 30 - 6080Z12C: 20 - 6080Z12D: 15 - 6080Z12E: 15

TYPE 15 BLACK | ROUND BASE PLATE WITH INLAY (SET)

Excellently suitable as rod holder. Supplied as a set (left and right version).
After you have placed the round foot plates, you can simply insert the tube.
Also suitable for temporary removal of a passageway, where the tube can be removed easily and quickly.



Type	Int.Code	Size	A	B	C	D	E	BSP	Weight
6080Z15B-RH	U131-A27	26,9mm (3/4")	32	4	30	49	6,5	1/4"	0,39 kg
6080Z15C-RH	U131-B34	33,7mm (1")	36	6	37	56	6,5	1/4"	0,78 kg



Number of items per box:

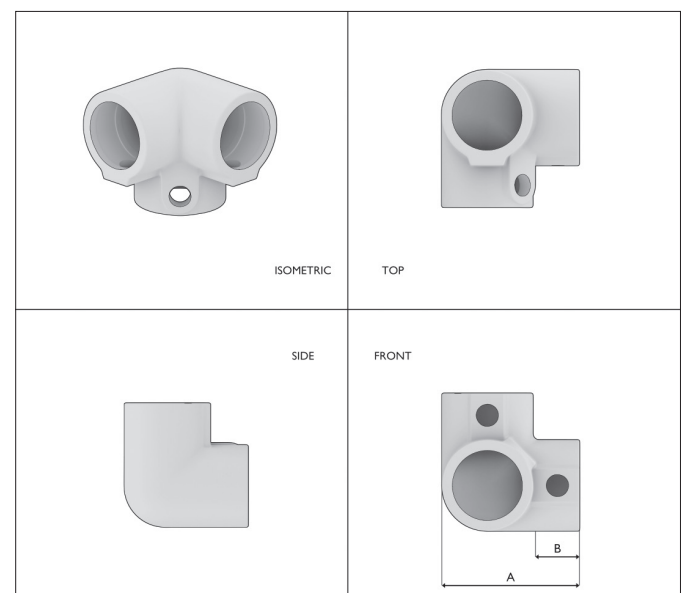
6080Z15B: 45 - 6080Z15C: 25

TYPE 18 BLACK | THREE WAY TOP CORNER 90°

Corner joint (90°) clamp used for top rail corners and any other rectangular system.



Type	Int.Code	Size	A	B	BSP	Weight
6080Z18A	I28-T21	21,3mm (1/2")	50	19	1/8"	0,26 kg
6080Z18B	I28-A27	26,9mm (3/4")	60	21	1/4"	0,38 kg
6080Z18C	I28-B34	33,7mm (1")	69	22	1/4"	0,46 kg
6080Z18D	I28-C42	42,4mm (1 1/4")	87	28	3/8"	0,87 kg
6080Z18E	I28-D48	48,3mm (1 1/2")	98	35	3/8"	1,02 kg



Number of items per box:

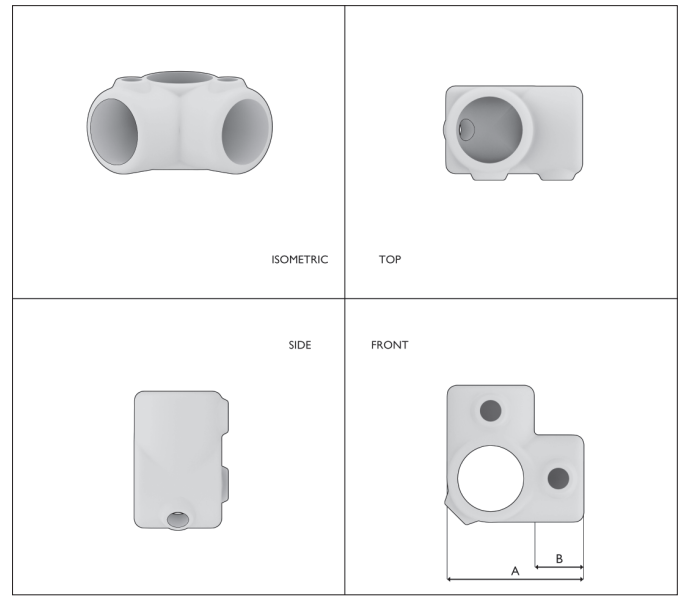
6080Z18A: 75 - 6080Z18B: 50 - 6080Z18C: 30 - 6080Z18D: 15 - 6080Z18E: 15

TYPE 20 BLACK | CORNER WITH TROUGH TUBE 90°

Often used on intermediate rail corners to match Type 18, tube passes through the clamp.



Type	Int.Code	Size	A	B	BSP	Weight
6080Z20A	I16-T21	21,3mm (½")	50	19	1/8"	0,17 kg
6080Z20B	I16-A27	26,9mm (¾")	60	22	1/4"	0,27 kg
6080Z20C	I16-B34	33,7mm (1")	69	22	1/4"	0,39 kg
6080Z20D	I16-C42	42,4mm (1½")	87	32	3/8"	0,58 kg
6080Z20E	I16-D48	48,3mm (1½")	98	38	3/8"	0,69 kg



Number of items per box:

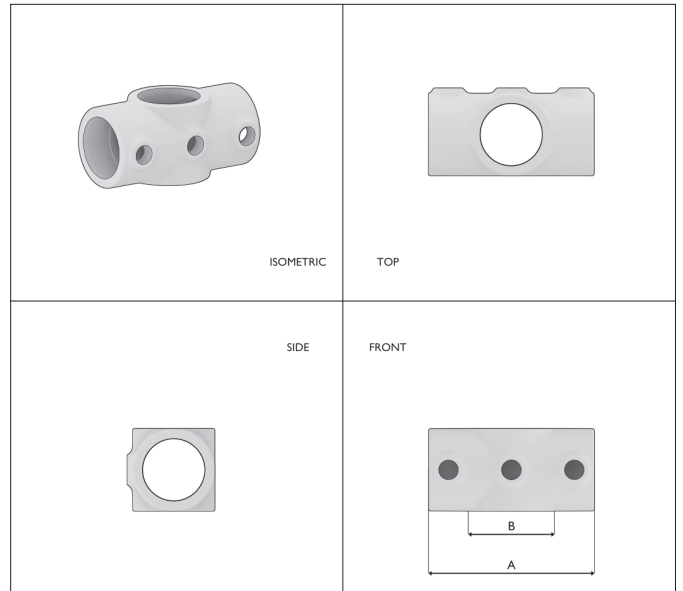
6080Z20A: **100** - 6080Z20B: **65** - 6080Z20C: **35** - 6080Z20D: **20** - 6080Z20E: **20**

TYPE 22 BLACK | TWO SOCKET CROSS

90° joint clamp between the middle rail and an upright on railings.



Type	Int.Code	Size	A	B	BSP	Weight
6080Z22A	I19-T21	21,3mm (½")	68	30	1/8"	0,17 kg
6080Z22B	I19-A27	26,9mm (¾")	81	35	1/4"	0,26 kg
6080Z22C	I19-B34	33,7mm (1")	92	48	1/4"	0,38 kg
6080Z22D	I19-C42	42,4mm (1½")	120	58	3/8"	0,62 kg
6080Z22E	I19-D48	48,3mm (1½")	136	61	3/8"	0,71 kg



Number of items per box:

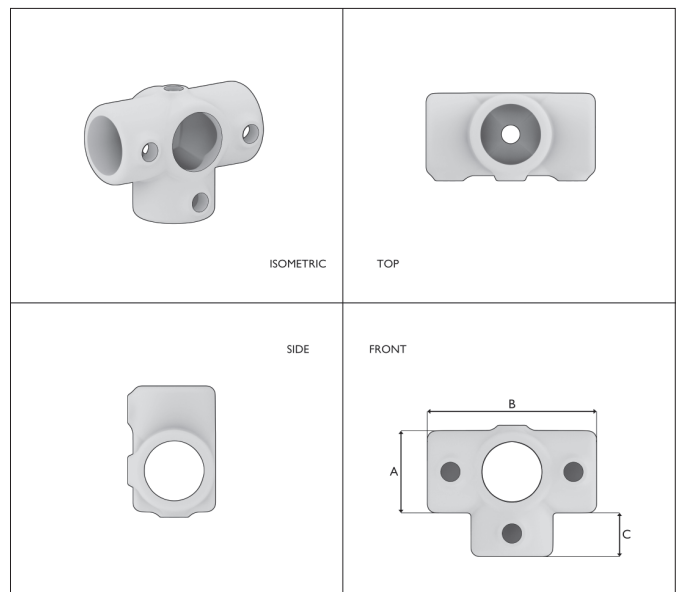
6080Z22A: **100** - 6080Z22B: **70** - 6080Z22C: **40** - 6080Z22D: **20** - 6080Z22E: **20**

TYPE 24 BLACK | SIDE OUTLET TEE

3-direction clamp used to fix uprights with 3 horizontal tubes that are perpendicular to each other. Upright tube passes through the clamp.



Type	Int.Code	Size	A	B	C	BSP	Weight
6080Z24A	I76-T21	21,3mm (½")	33	67	19	1/8"	0,21 kg
6080Z24B	I76-A27	26,9mm (¾")	37	82	21	1/4"	0,36 kg
6080Z24C	I76-B34	33,7mm (1")	46	92	23	1/4"	0,48 kg
6080Z24D	I76-C42	42,4mm (1½")	55	120	30	3/8"	0,79 kg
6080Z24E	I76-D48	48,3mm (1½")	60	136	34	3/8"	0,96 kg



Number of items per box:

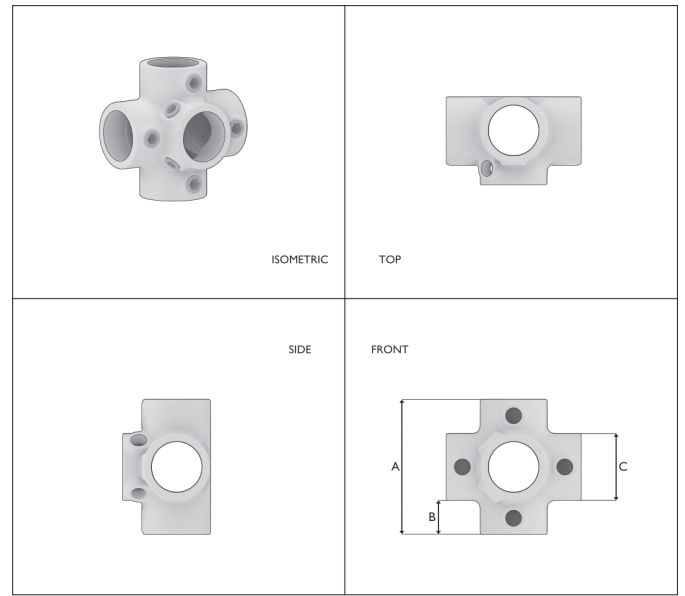
6080Z24A: **80** - 6080Z24B: **30** - 6080Z24C: **25** - 6080Z24D: **20** - 6080Z24E: **10**

TYPE 26 BLACK | FOUR SOCKET CROSS

4-direction clamp used to fix uprights with 4 horizontal tubes that are perpendicular to each other. Upright tube passes through the clamp.



Type	Int.Code	Size	A	B	C	BSP	Weight
6080Z26B	158-A27	26,9mm (1")	82	22	37	1/4"	0,41 kg
6080Z26C	158-B34	33,7mm (1 1/4")	92	23	46	1/4"	0,62 kg
6080Z26D	158-C42	42,4mm (1 1/2")	120	33	55	3/8"	0,93 kg
6080Z26E	158-D48	48,3mm (1 7/8")	136	38	60	3/8"	1,23 kg



Number of items per box:

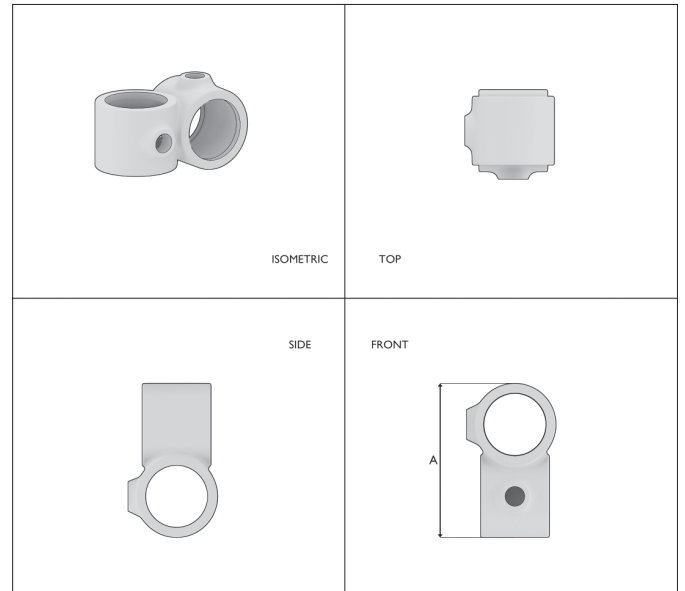
6080Z26B: 35 - 6080Z26C: 20 - 6080Z26D: 10 - 6080Z26E: 6

TYPE 28 BLACK | CROSSOVER 90°

Crossover clamp (90°). Used for long tube intersections with uprights where decreasing cutting cost and increasing strength of the system with continuity of the tube is desired.



Type	Int.Code	Size	A	BSP	Weight
6080Z28B	161-A27	26,9mm (1")	71	1/4"	0,20 kg
6080Z28C	161-B34	33,7mm (1 1/4")	86	1/4"	0,31 kg
6080Z28D	161-C42	42,4mm (1 1/2")	110	3/8"	0,49 kg
6080Z28E	161-D48	48,3mm (1 7/8")	115	3/8"	0,58 kg



Number of items per box:

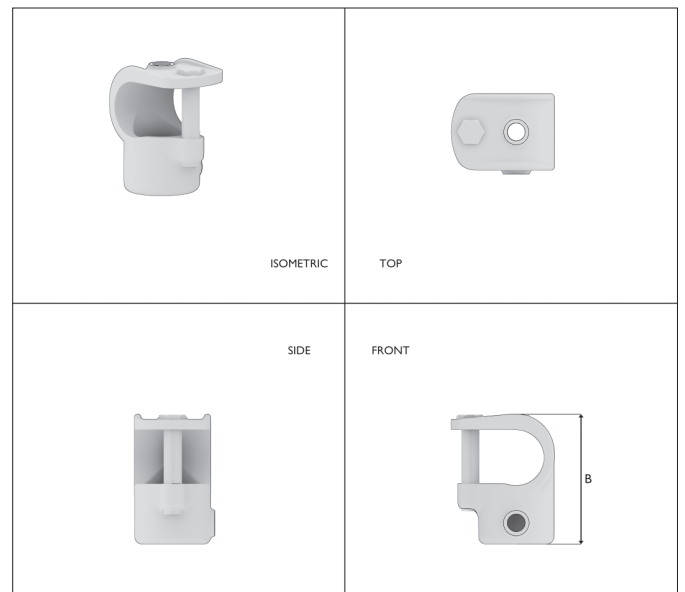
6080Z28B: 90 - 6080Z28C: 50 - 6080Z28D: 40 - 6080Z28E: 30

TYPE 32 BLACK | CLAMP-ON TEE

Clamp-On Tee. Used for adding to and modifying an existing structure.



Type	Int.Code	Size	A	BSP	Weight
6080Z32B	135-A27	26,9mm (1")	74	1/4"	0,25 kg
6080Z32C	135-B34	33,7mm (1 1/4")	80	1/4"	0,44 kg
6080Z32D	135-C42	42,4mm (1 1/2")	98	3/8"	0,56 kg
6080Z32E	135-D48	48,3mm (1 7/8")	111	3/8"	0,70 kg



Number of items per box:

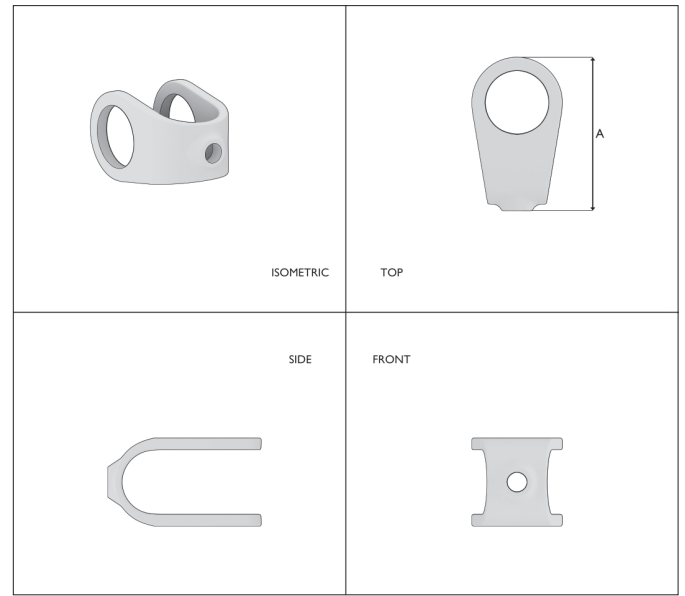
6080Z32B: 60 - 6080Z32C: 50 - 6080Z32D: 40 - 6080Z32E: 30

TYPE 33 BLACK | CLAMP-ON CROSSOVER

Used for adding to and modifying an existing structure.



Type	Int.Code	Size	A	BSP	Weight
6080Z33B	160-A27	26,9mm (1/4")	71	1/4"	0,16 kg
6080Z33C	160-B34	33,7mm (1")	84	1/4"	0,24 kg
6080Z33D	160-C42	42,4mm (1 1/4")	102	3/8"	0,35 kg
6080Z33E	160-D48	48,3mm (1 1/2")	115	3/8"	0,45 kg



Number of items per box:

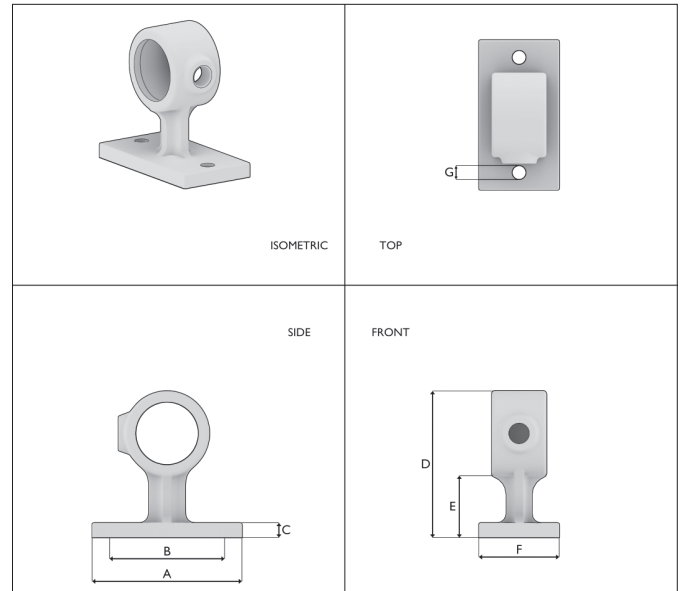
6080Z33B: **80** - 6080Z33C: **60** - 6080Z33D: **50** - 6080Z33E: **40**

TYPE 34 BLACK | HANDRAIL SUPPORT

For fixing handrails and structures to walls.



Type	Int.Code	Size	A	B	C	D	E	F	G	BSP	Weight
6080Z34A	143W-T21	21,3mm (1/2")	65	50	7	69	37	33	6	1/8"	0,23 kg
6080Z34B	143W-A27	26,9mm (3/4")	76	57	7	72	36	46	8	1/4"	0,38 kg
6080Z34C	143W-B34	33,7mm (1")	82	63	8	80	34	44	8	1/4"	0,41 kg
6080Z34D	143W-C42	42,4mm (1 1/4")	102	76	8	91	36	44	10	3/8"	0,65 kg
6080Z34E	143W-D48	48,3mm (1 1/2")	108	83	8	97	38	48	10	3/8"	0,72 kg



Number of items per box:

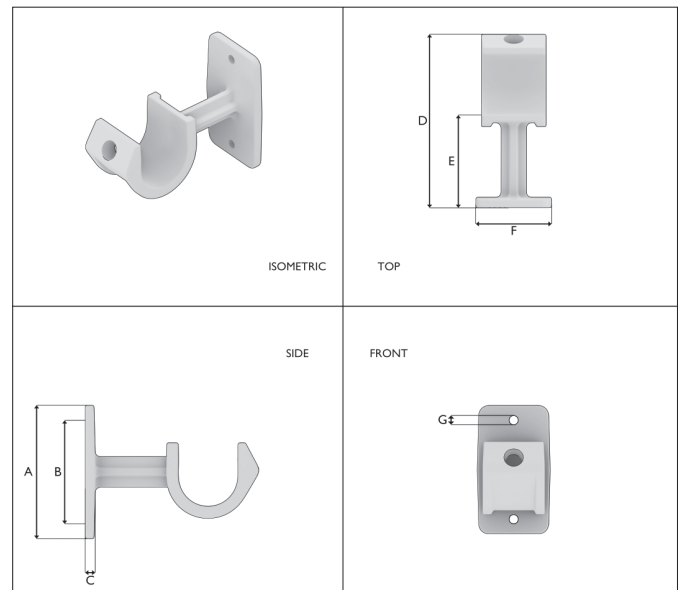
6080Z34A: **90** - 6080Z34B: **50** - 6080Z34C: **45** - 6080Z34D: **30** - 6080Z34E: **25**

TYPE 35 BLACK | HANDRAIL SUPPORT, OPEN

For fixing handrails and structures to walls.



Type	Int.Code	Size	A	B	C	D	E	F	G	BSP	Weight
6080Z35B	143K-A27	26,9mm (3/4")	76	57	6	90	49	44	6	1/4"	0,38 kg
6080Z35C	143K-B34	33,7mm (1")	80	61	6	104	56	45	6	1/4"	0,41 kg



Number of items per box:

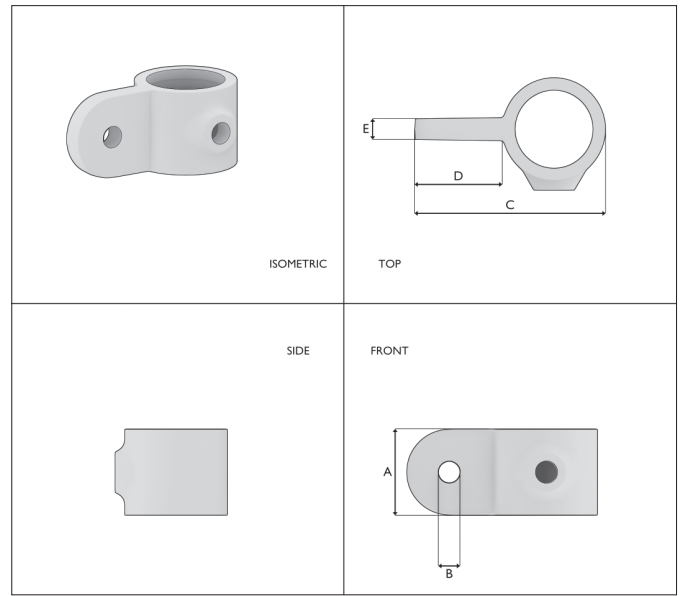
6080Z35B: **50** - 6080Z35C: **35**

TYPE 36 BLACK | MALE SINGLE LUG

Used with Type 42 for swivel fittings, also used for fixing panels and boards.



Type	Int.Code	Size	A	B	C	D	E	BSP	Weight
6080Z36B	173M-A27	26,9mm (3/4")	38	10	77	39	10	1/4"	0,22 kg
6080Z36C	173M-B34	33,7mm (1")	38	10	85	39	10	1/4"	0,25 kg
6080Z36D	173M-C42	42,4mm (1 1/4")	38	10	94	40	10	3/8"	0,33 kg
6080Z36E	173M-D48	48,3mm (1 1/2")	38	10	103	43	10	3/8"	0,38 kg



Number of items per box:

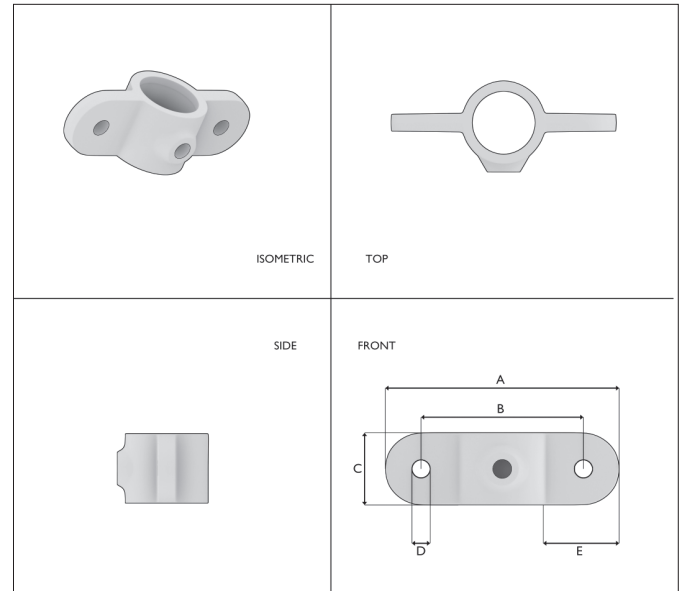
6080Z36B: **95** - 6080Z36C: **80** - 6080Z36D: **55** - 6080Z36E: **45**

TYPE 38 BLACK | MALE DOUBLE LUG

Similar to Type 36 with two lugs on the same axis (180°).



Type	Int.Code	Size	A	B	C	D	E	BSP	Weight
6080Z38B	167M-A27	26,9mm (3/4")	116	78	38	10	40	1/4"	0,22 kg
6080Z38C	167M-B34	33,7mm (1")	123	86	38	10	39	1/4"	0,25 kg
6080Z38D	167M-C42	42,4mm (1 1/4")	134	96	38	10	40	3/8"	0,33 kg
6080Z38E	167M-D48	48,3mm (1 1/2")	146	108	38	10	50	3/8"	0,37 kg



Number of items per box:

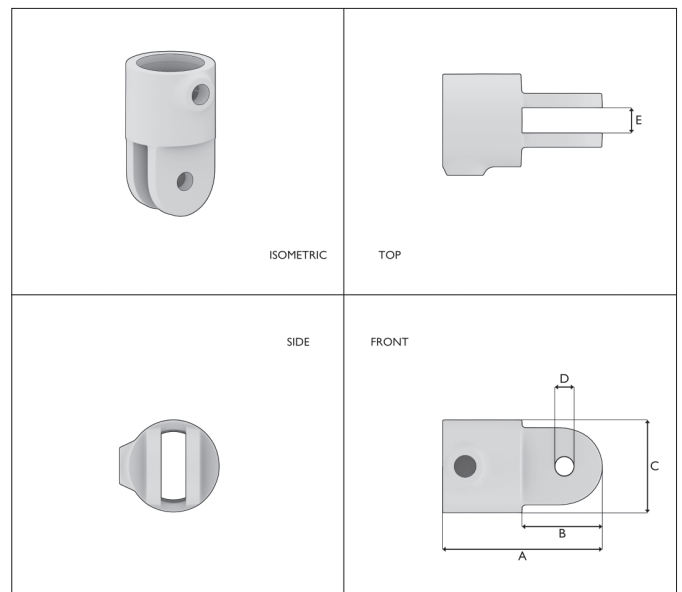
6080Z38B: **90** - 6080Z38C: **75** - 6080Z38D: **45** - 6080Z38E: **60**

TYPE 42 BLACK | FEMALE SINGLE SOCKET

One part of swivel fitting, not generally used alone, combination for example Type 36.



Type	Int.Code	Size	A	B	C	D	E	BSP	Weight
6080Z42B	173F-A27	26,9mm (3/4")	79	40	37	10	13	1/4"	0,26 kg
6080Z42C	173F-B34	33,7mm (1")	79	40	46	10	13	1/4"	0,31 kg
6080Z42D	173F-C42	42,4mm (1 1/4")	78	40	54	10	13	3/8"	0,41 kg
6080Z42E	173F-D48	48,3mm (1 1/2")	95	40	60	10,5	13	3/8"	0,53 kg



Number of items per box:

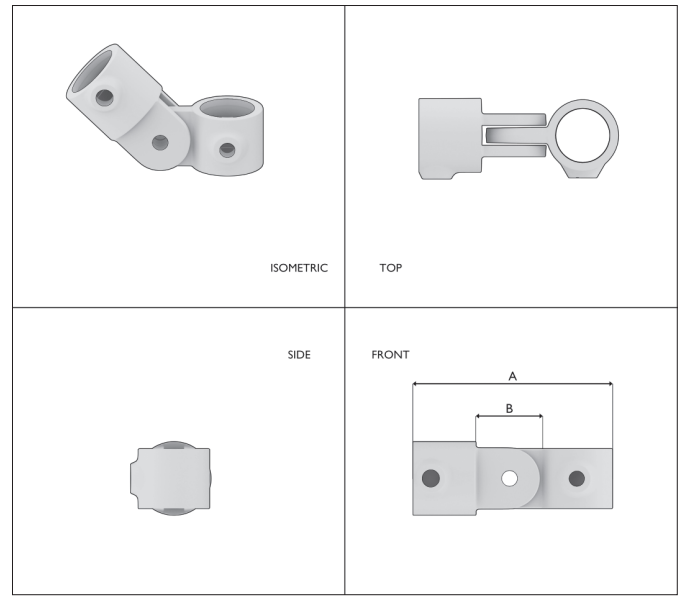
6080Z42B: **80** - 6080Z42C: **60** - 6080Z42D: **40** - 6080Z42E: **30**

TYPE 44 BLACK | SINGLE SWIVEL

Swivel fitting for variable angle fixing.



Type	Int.Code	Size	A	B	BSP	Weight
6080Z44B	173-A27	26,9mm (3/4")	117	42	1/4"	0,48 kg
6080Z44C	173-B34	33,7mm (1")	124	42	1/4"	0,56 kg
6080Z44D	173-C42	42,4mm (1 1/4")	143	42	3/8"	0,74 kg
6080Z44E	173-D48	48,3mm (1 1/2")	161	47	3/8"	0,90 kg



Number of items per box:

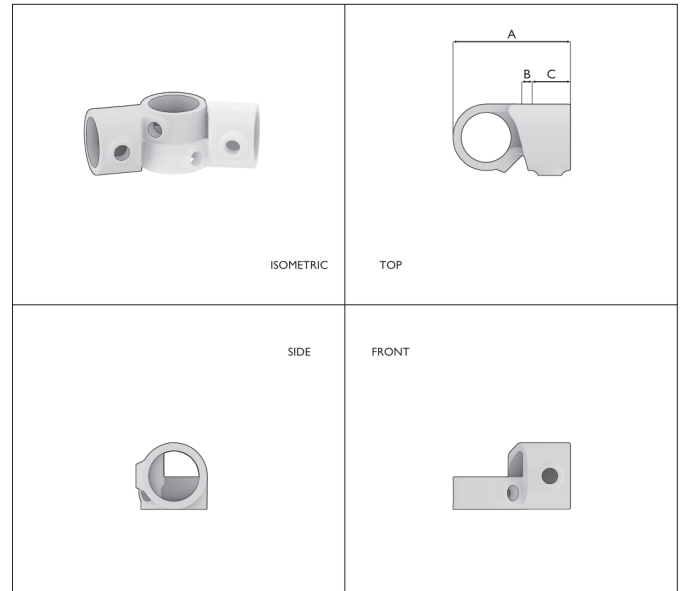
6080Z44B: 40 - 6080Z44C: 35 - 6080Z44D: 25 - 6080Z44E: 25

TYPE 49 BLACK | ADJUSTABLE SWIVEL TEE

Always used in pairs to allow angle variation between 54° en 270°.



Type	Int.Code	Size	A	B	C	BSP	Weight
6080Z49B	148-A27	26,9mm (3/4")	79	14	25	1/4"	0,20 kg
6080Z49C	148-B34	33,7mm (1")	81	7	26	1/4"	0,29 kg
6080Z49D	148-C42	42,4mm (1 1/4")	100	15	27	3/8"	0,43 kg
6080Z49E	148-D48	48,3mm (1 1/2")	111	21	27	3/8"	0,56 kg



Number of items per box:

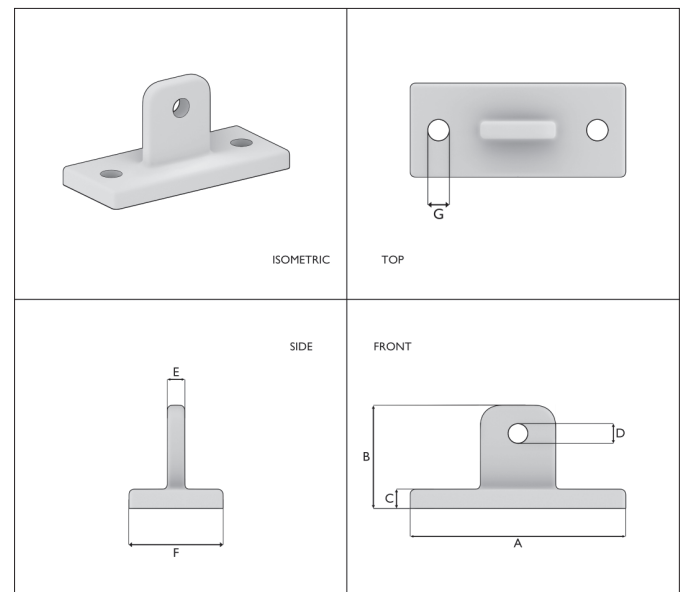
6080Z49B: 85 - 6080Z49C: 60 - 6080Z49D: 35 - 6080Z49E: 20

TYPE 50 BLACK | SWIVEL BASE PLATE (UNISIZE)

For fixing structures to wall or floor, usually used with Type 42.



Type	Int.Code	Size	A	B	C	D	E	F	G	Weight
6080X50	169M	One size	115	55	10	11	9	50	12	0,36 kg



Number of items per box:

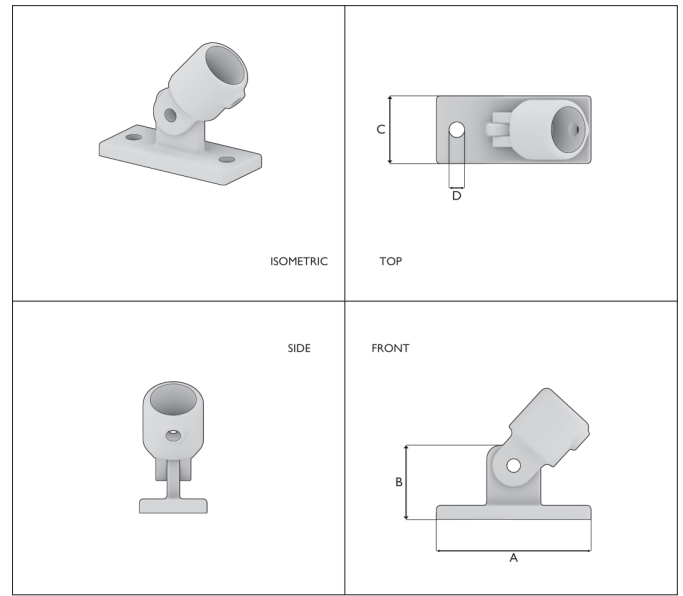
6080Z50: 50

TYPE 51 BLACK | SWIVEL BASE

Used for an angled wall attachment or support for an upright post.



Type	Int.Code	Size	A	B	C	D	BSP	Weight
6080Z51B	169-A27	26,9mm (3/4")	115	55	50	12	1/4"	0,66 kg
6080Z51C	169-B34	33,7mm (1")	115	55	50	12	1/4"	0,71 kg
6080Z51D	169-C42	42,4mm (1 1/4")	115	55	50	12	3/8"	0,81 kg
6080Z51E	169-D48	48,3mm (1 1/2")	115	55	50	12	3/8"	0,93 kg



Number of items per box:

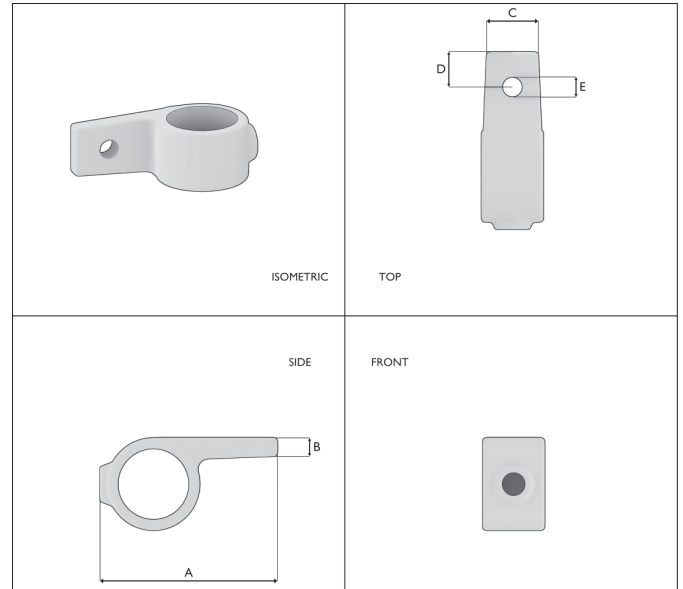
6080Z51B: 25 - 6080Z51C: 25 - 6080Z51D: 25 - 6080Z51E: 20

TYPE 55 BLACK | COLLAR PLATE SINGLE SIDE

Fitting for panel fixing.



Type	Int.Code	Size	A	B	C	D	E	BSP	Weight
6080Z55A	199-T21	21,3mm (1/2")	70	5	20	10	5	1/8"	0,11 kg
6080Z55B	199-A27	26,9mm (3/4")	78	8	20	17	10	1/4"	0,15 kg
6080Z55C	199-B34	33,7mm (1")	86	9	25	17	10	1/4"	0,22 kg
6080Z55D	199-C42	42,4mm (1 1/4")	96	9	30	17	10	3/8"	0,32 kg
6080Z55E	199-D48	48,3mm (1 1/2")	103	9	30	17	10	3/8"	0,34 kg



Number of items per box:

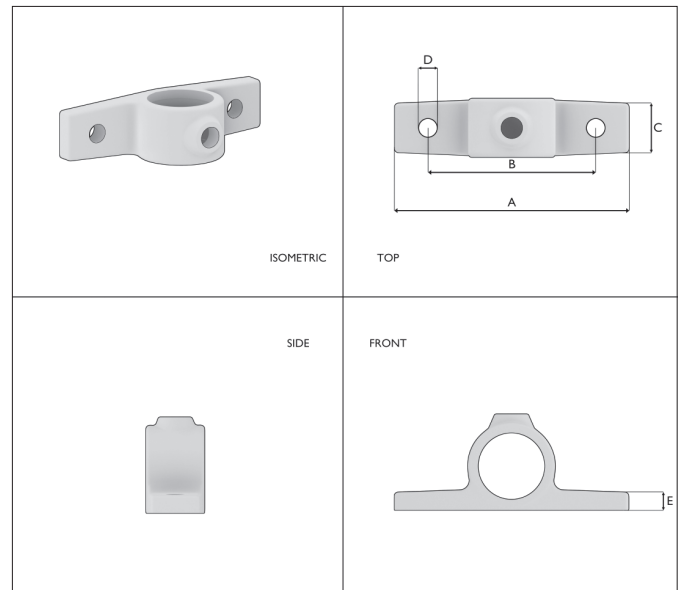
6080Z55A: 180 - 6080Z55B: 130 - 6080Z55C: 90 - 6080Z55D: 65 - 6080Z55E: 60

TYPE 56 BLACK | COLLAR PLATE DOUBLE SIDE

Panel fixing with two lugs also used for locking gates.



Type	Int.Code	Size	A	B	C	D	E	BSP	Weight
6080Z56B	198-A27	26,9mm (3/4")	110	76	25	10	8	1/4"	0,25 kg
6080Z56C	198-B34	33,7mm (1")	120	86	25	10	9	1/4"	0,33 kg
6080Z56D	198-C42	42,4mm (1 1/4")	130	96	30	10	9	3/8"	0,45 kg
6080Z56E	198-D48	48,3mm (1 1/2")	140	106	30	10	9	3/8"	0,48 kg



Number of items per box:

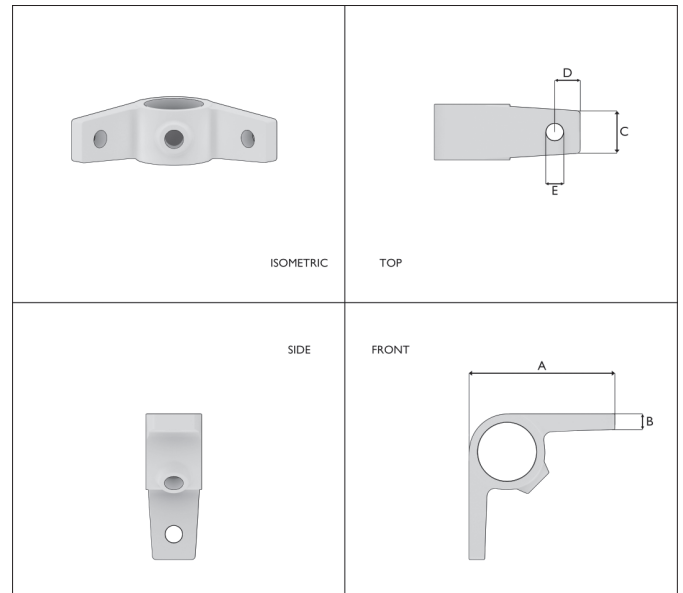
6080Z56B: 80 - 6080Z56C: 70 - 6080Z56D: 40 - 6080Z56E: 40

TYPE 57 | COLLAR PLATE DOUBLE SIDE 90°

Collar Plate Double Side 90°. Double panel fixing for carrying 2 shelves in 90°.



Type	Int.Code	Size	A	B	C	D	E	BSP	Weight
6080Z57B	197-A27	26,9mm (1/4")	79	8	25	15	11	1/4"	0,25 kg
6080Z57C	197-B34	33,7mm (1")	87	9	25	15	11	1/4"	0,34 kg
6080Z57D	197-C42	42,4mm (1 1/4")	92	9	30	15	11	3/8"	0,43 kg
6080Z57E	197-D48	48,3mm (1 1/2")	100	9	30	15	11	3/8"	0,47 kg



Number of items per box:

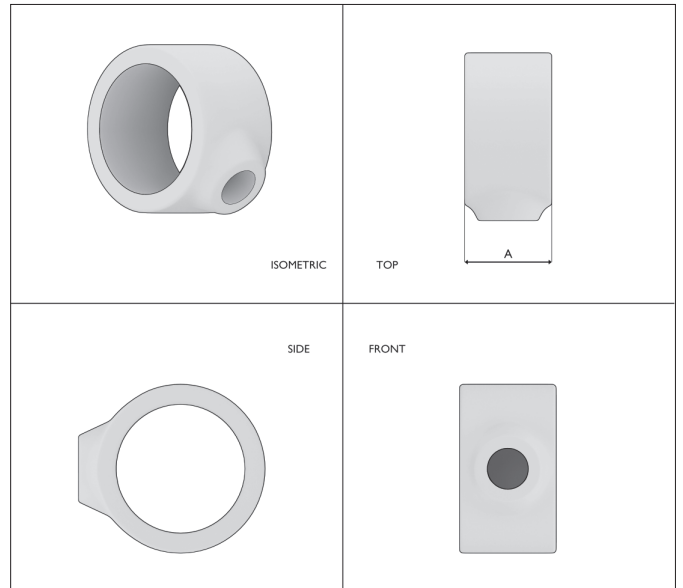
6080Z57B: **80** - 6080Z57C: **60** - 6080Z57D: **40** - 6080Z57E: **25**

TYPE 60 BLACK | COLLAR

Support fitting to increase slip resistance of fittings that are under high loads.



Type	Int.Code	Size	A	BSP	Weight
6080Z60B	179-A27	26,9mm (1/4")	25	1/4"	0,09 kg
6080Z60C	179-B34	33,7mm (1")	25	1/4"	0,12 kg
6080Z60D	179-C42	42,4mm (1 1/4")	25	3/8"	0,14 kg
6080Z60E	179-D48	48,3mm (1 1/2")	25	3/8"	0,15 kg



Number of items per box:

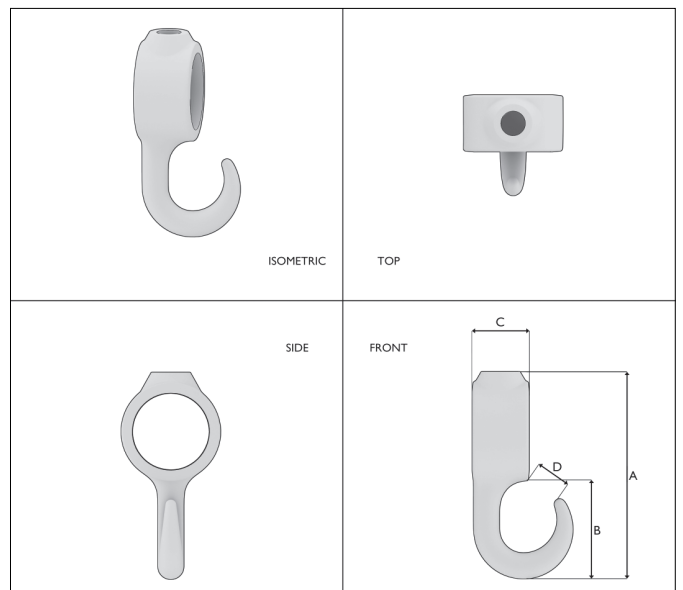
6080Z60B: **180** - 6080Z60C: **150** - 6080Z60D: **120** - 6080Z60E: **100**

TYPE 61 BLACK | HOOK

Fitting used for chain attachments.



Type	Int.Code	Size	A	B	C	D	BSP	Weight
6080Z61B	182-A27	26,9mm (1/4")	87	45	26	15	1/4"	0,16 kg
6080Z61C	182-B34	33,7mm (1")	95	45	26	15	1/4"	0,20 kg
6080Z61D	182-C42	42,4mm (1 1/4")	104	45	26	15	3/8"	0,23 kg
6080Z61E	182-D48	48,3mm (1 1/2")	110	45	26	15	3/8"	0,24 kg



Number of items per box:

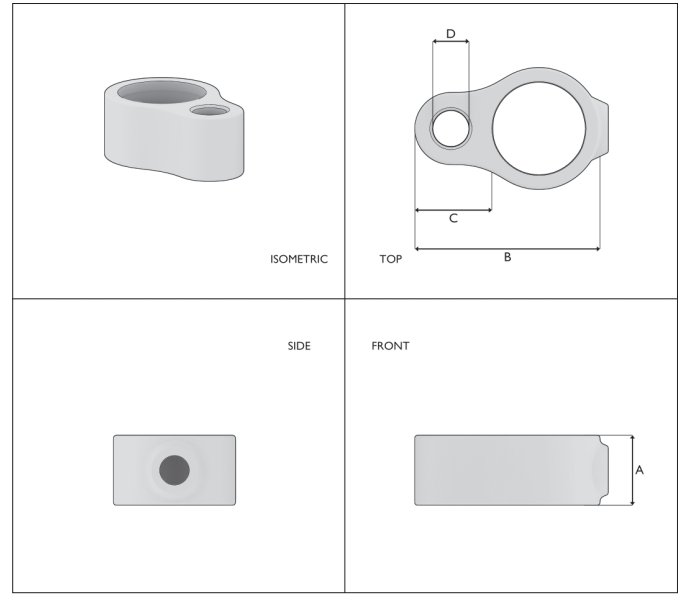
6080Z61B: **120** - 6080Z61C: **95** - 6080Z61D: **120** - 6080Z61E: **100**

TYPE 62 BLACK | EYE HINGE

Female hinge fitting for Type 63.



Type	Int.Code	Size	A	B	C	D	BSP	Weight
6080Z62B	138-A27	26,9mm (¾")	26	64	27	14	1/4"	0,19 kg
6080Z62C	138-B34	33,7mm (1")	25	77	27	14	1/4"	0,21 kg
6080Z62D	138-C42	42,4mm (1¼")	26	81	27	14	3/8"	0,24 kg
6080Z62E	138-D48	48,3mm (1½")	26	90	27	14	3/8"	0,27 kg



Number of items per box:

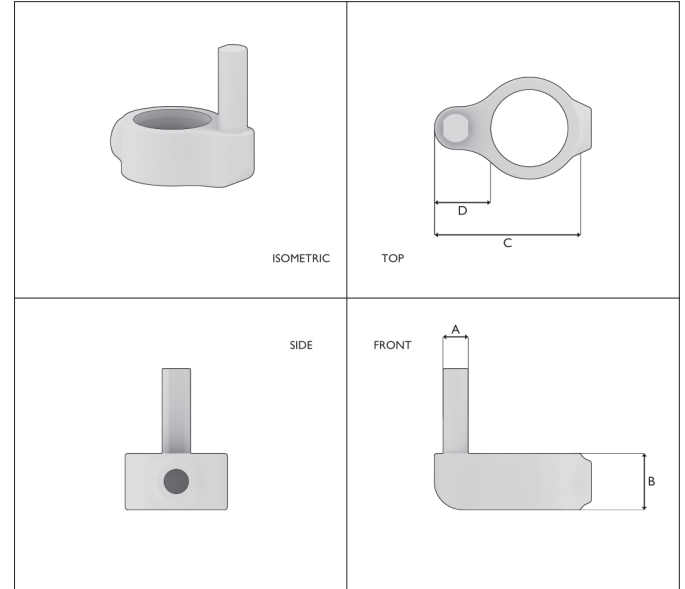
6080Z62B: 140 - 6080Z62C: 90 - 6080Z62D: 80 - 6080Z62E: 70

TYPE 63 BLACK | PIN HINGE

Male hinge fitting to be used in combination with Type 62.



Type	Int.Code	Size	A	B	C	D	BSP	Weight
6080Z63B	140-A27	26,9mm (¾")	11	26	58	26	1/4"	0,19 kg
6080Z63C	140-B34	33,7mm (1")	11	25	65	25	1/4"	0,21 kg
6080Z63D	140-C42	42,4mm (1¼")	11	25	75	26	3/8"	0,24 kg
6080Z63E	140-D48	48,3mm (1½")	11	26	81	26	3/8"	0,27 kg



Number of items per box:

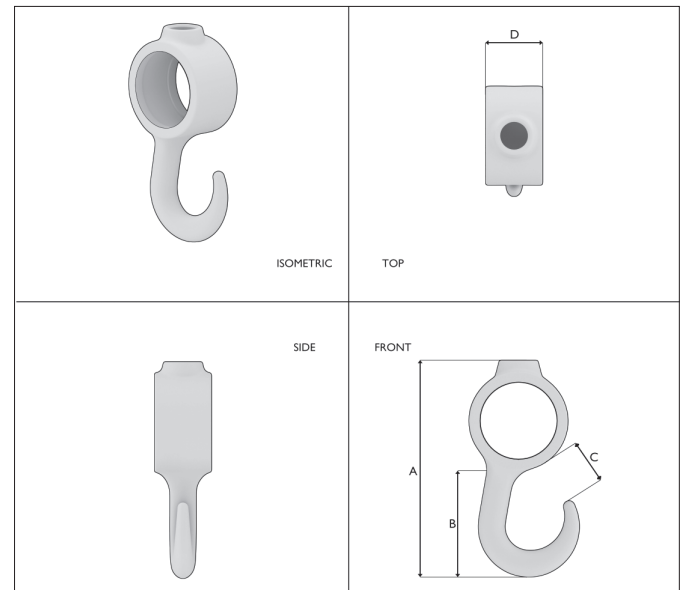
6080Z63B: 90 - 6080Z63C: 80 - 6080Z63D: 60 - 6080Z63E: 60

TYPE 64 BLACK | COAT HOOK

Hook 90 degrees narrow. Similar to tube coupling Type 61, but better suited for making coat hangers and the like.



Type	Int.Code	Size	A	B	C	D	BSP	Weight
6080Z64A	182T-T21	21,3mm (½")	68	33	12	22	1/8"	0,11 kg
6080Z64B	182T-A27	26,9mm (¾")	90	47	20	26	1/4"	0,15 kg
6080Z64C	182T-B34	33,7mm (1")	98	48	20	26	1/4"	0,22 kg
6080Z64D	182T-C42	42,4mm (1¼")	108	49	20	26	3/8"	0,32 kg
6080Z64E	182T-D48	48,3mm (1½")	114	49	20	26	3/8"	0,34 kg



Number of items per box:

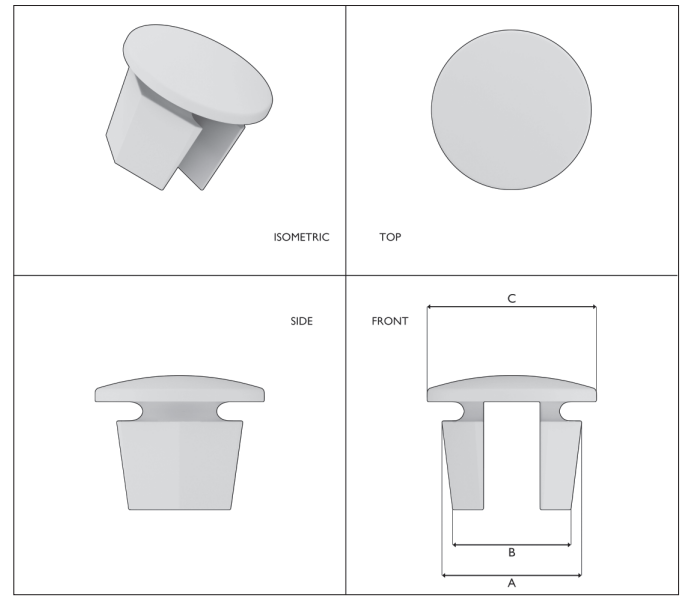
6080Z64A: 200 - 6080Z64B: 115 - 6080Z64C: 100 - 6080Z64D: 120 - 6080Z64E: 65

TYPE 73 BLACK | METAL PLUG

Metal cap used to plug the end of the tube.



Type	Int.Code	Size	A	B	C	Weight
6080Z73B	184-A27	26,9mm (3/4")	22	19	27	0,04 kg
6080Z73C	184-B34	33,7mm (1")	29	24	35	0,06 kg
6080Z73D	184-C42	42,4mm (1 1/4")	36	26	43	0,10 kg
6080Z73E	184-D48	48,3mm (1 1/2")	43	34	49	0,14 kg



Number of items per box:

6080Z73B: **400** - 6080Z73C: **300** - 6080Z73D: **150** - 6080Z73E: **120**

TYPE 76 BLACK | STAINLESS STEEL SET SCREWS

Adjusting screw for tube fittings.



Type	Int.code	Size	Weight
6080Z76A		1/8" (for the use of type A)	3 g
6080Z76BC	300	1/4" (for the use of type B / C and 25 mm)	7 g
6080Z76DEF	301	3/8" (for the use of type D / E / F and 40 mm)	14 g

TYPE 78 BLACK | PLASTIC SCREW CAP

Plastic screw cap black (25 pieces per bag)



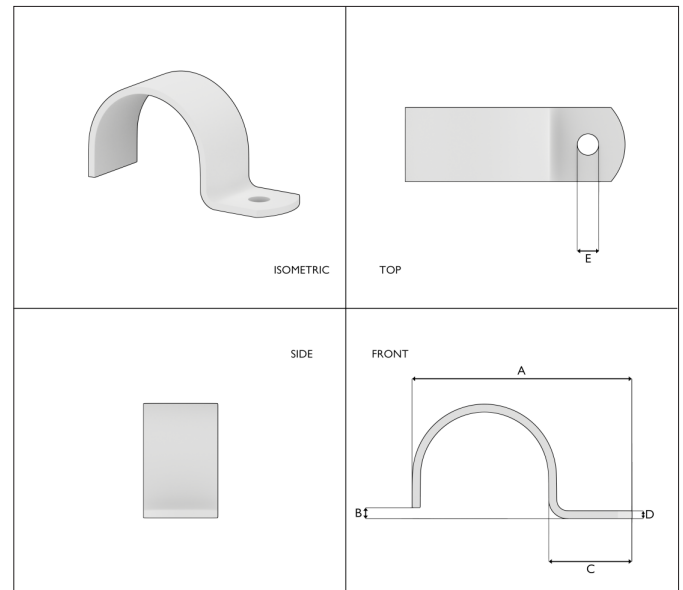
Type	Int.code	Size	Quantity per bag
6080Z78A	For the use of type A	8 g	25
6080Z78BC	For the use of type B / C and 25 mm	12 g	25
6080Z78DEF	For the use of type D / E / F and 40 mm	17 g	25

TYPE 100 BLACK | SADDLE CLAMP

Our steel cap brackets are electrolytically galvanized and therefore rust-resistant. These so-called single-lip cover brackets are available for tube sizes 21.0 mm up to 60.3 mm. Extremely suitable for mounting blades on a tubular frame base.



Type	Int.Code	Size	A	B	C	D	E	Weight
608Z100A	LUG-T21	21,3mm (1/2")	43	3	21	2	6	0,02 kg
608Z100B	LUG-A27	26,9mm (3/4")	52	4	23	2	6	0,03 kg
608Z100C	LUG-B34	33,7mm (1")	59	3	23	2	6	0,03 kg
608Z100D	LUG-C42	42,4mm (1 1/4")	72	9	27	3	6	0,08 kg
608Z100E	LUG-D48	48,3mm (1 1/2")	78	5	27	3	6	0,09 kg



Number of items per box:

6080Z100A: **700** - 6080Z100B: **600** - 6080Z100C: **500** - 6080Z100D: **300** - 6080Z100E: **220**



BLACK tube fittings



NOW EVEN MORE SUITABLE FOR OUTDOOR USE

Our black fittings were already very popular for indoor projects. From now, they are also available in a version specially designed for outdoor use. These new black fittings are specially treated and resistant to weather conditions (galvanized and powder-coated). As a result, they are perfectly suited for outdoor applications such as advertising frames, signage, and outdoor structures.



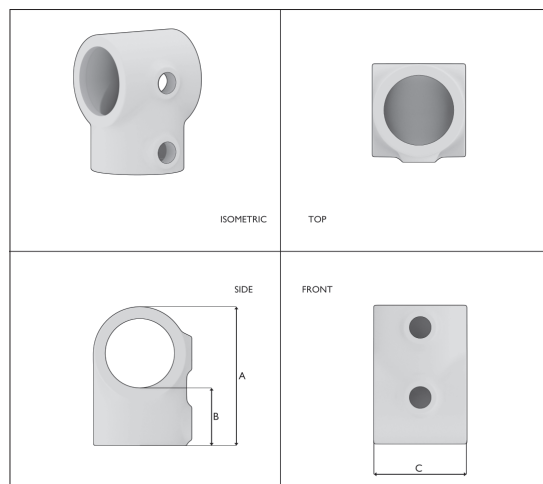
TYPE 2 BLACK | SHORT TEE

Provides a perpendicular connection between two tubes. Top fitting or straight and level railing uprights. This fitting cannot be used to join horizontal tube within the fitting.

OUTDOOR USE



Type	Int.Code	Size	A	B	C	BSP	Weight
6080X02C	I01-B34	33,7mm (1")	69	28	47	1/4"	0,30 kg
6080X02D	I01-C42	42,4mm (1 1/4")	87	37	55	3/8"	0,44 kg



Number of items per box:
6080X02C: 55 - 6080X02D: 30

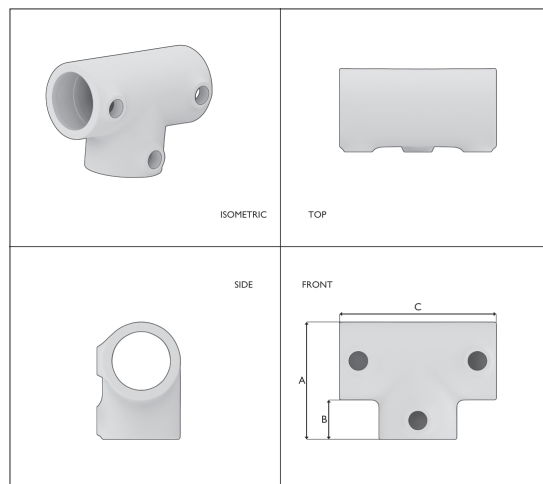
TYPE 4 BLACK | THREE SOCKET TEE

Similar to Type 2. This fitting can be used where a join is require in the horizontal tube.

OUTDOOR USE



Type	Int.Code	Size	A	B	C	BSP	Weight
6080X04C	I04-B34	33,7mm (1")	64	23	92	1/4"	0,46 kg
6080X04D	I04-C42	42,4mm (1 1/4")	87	33	120	3/8"	0,76 kg



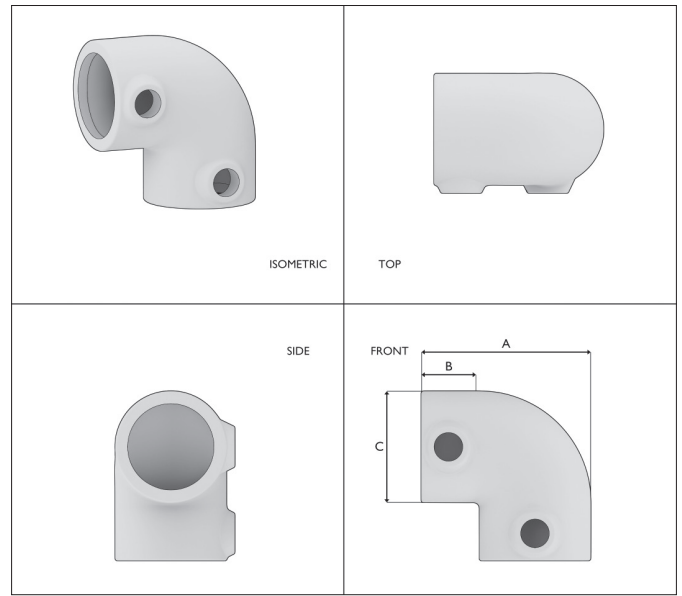
Number of items per box:
6080X04C: 30 - 6080X04D: 15



TYPE 6 BLACK | ELBOW 90°

Elbow joint fitting (90°) used as an end fitting for the top rail.

OUTDOOR USE



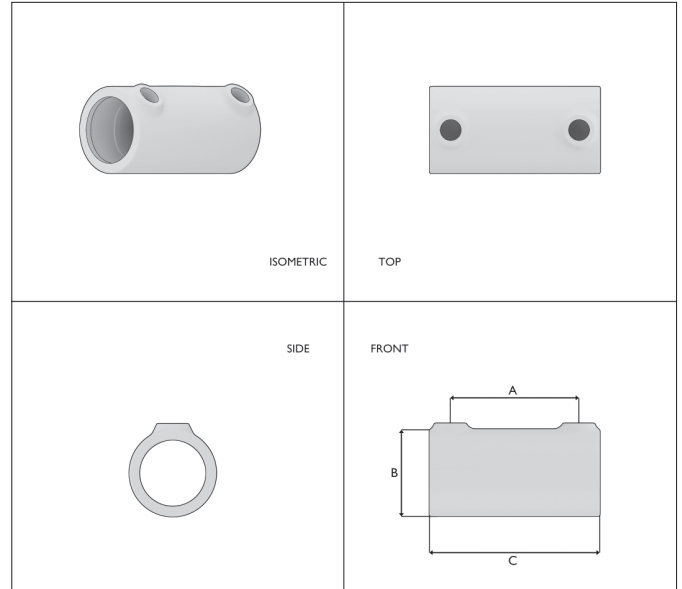
Type	Int.Code	Size	A	B	C	BSP	Weight
6080X06C	125-B34	33,7mm (1")	69	22	45	1/4"	0,30 kg
6080X06D	125-C42	42,4mm (1 1/4")	87	32	55	3/8"	0,44 kg

Number of items per box:
6080X06C: 50 - 6080X06D: 25

TYPE 8 BLACK | STRAIGHT COUPLING

Joint clamp for tubes of the same diameter. Do not use for heavy vertical loads. Alternative clamp is Type 9 used as an internal spigot.

OUTDOOR USE



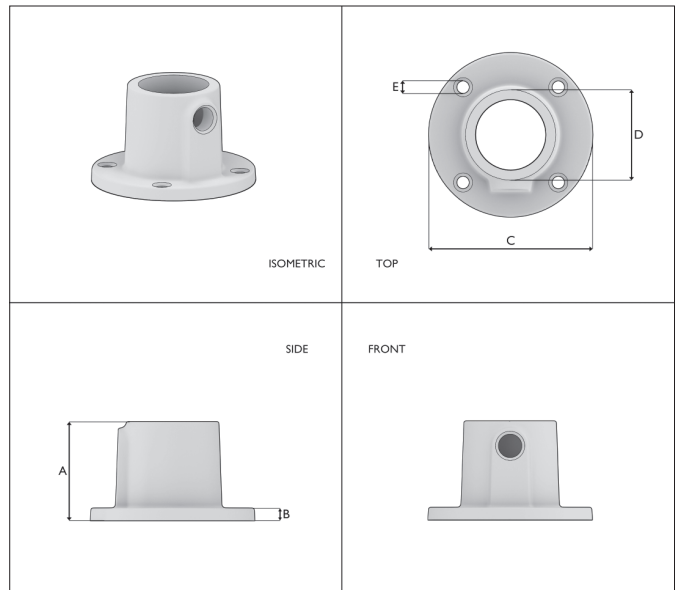
Type	Int.Code	Size	A	B	C	BSP	Weight
6080X08C	149-B34	33,7mm (1")	67	46	89	1/4"	0,38 kg
6080X08D	149-C42	42,4mm (1 1/4")	74	55	102	3/8"	0,52 kg

Number of items per box:
6080X08C: 45 - 6080X08D: 35

TYPE 10T BLACK | ROUND BASE PLATE OPEN

This tubefitting is suitable for constructions where the tube has to run through. Suitable for the use of e.g. intermediate shelves.

OUTDOOR USE



Type	Int.Code	Size	A	B	C	D	E	BSP	Weight
6080X10TC	131TX-B34	33,7mm (1")	48	6	80	46	6,5	1/4"	0,42 kg
6080X10TD	131TX-C42	42,4mm (1 1/4")	55	6	100	53	6,5	3/8"	0,51 kg

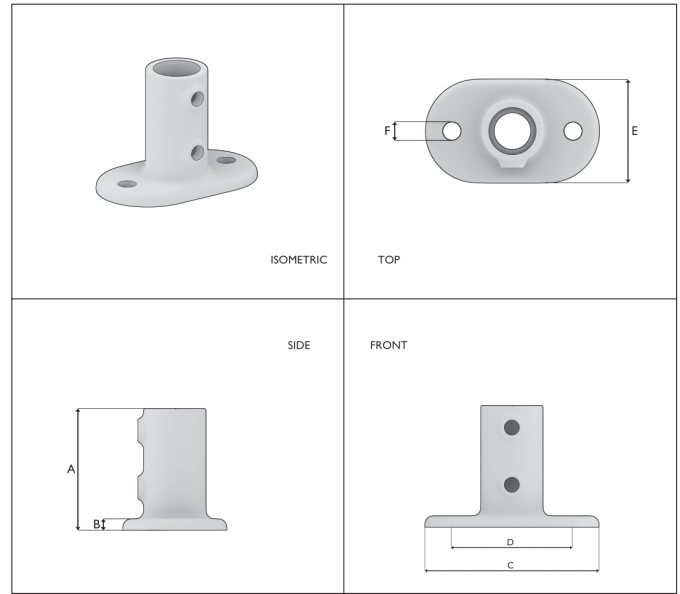
Number of items per box:
6080X10TC: 40 - 6080X10TD: 25



TYPE 12 BLACK | RAILING BASE FLANGE

OUTDOOR USE

Strong baseplate to support vertical post. Vertical wide rib with two setscrews increases the strength of the clamp. The fixing holes in the base flange should be in line with the applied load.



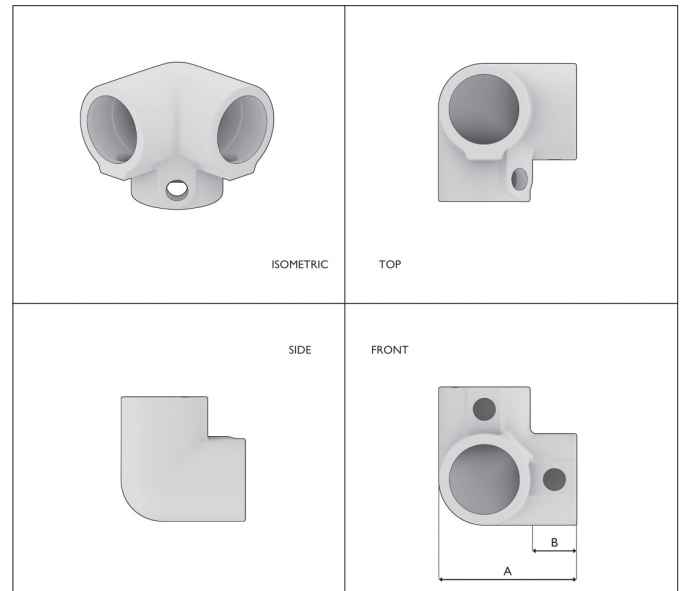
Type	Int.Code	Size	A	B	C	D	E	F	BSP	Weight
6080X12C	132-B34	33,7mm (1")	89	8	128	89	76	14	1/4"	0,81 kg
6080X12D	132-C42	42,4mm (1 1/4")	89	10	140	102	75	14	3/8"	1,02 kg

Number of items per box:
6080X12C: 20 - 6080X12D: 15

TYPE 18 BLACK | THREE WAY TOP CORNER 90°

OUTDOOR USE

Corner joint (90°) clamp used for top rail corners and any other rectangular system.



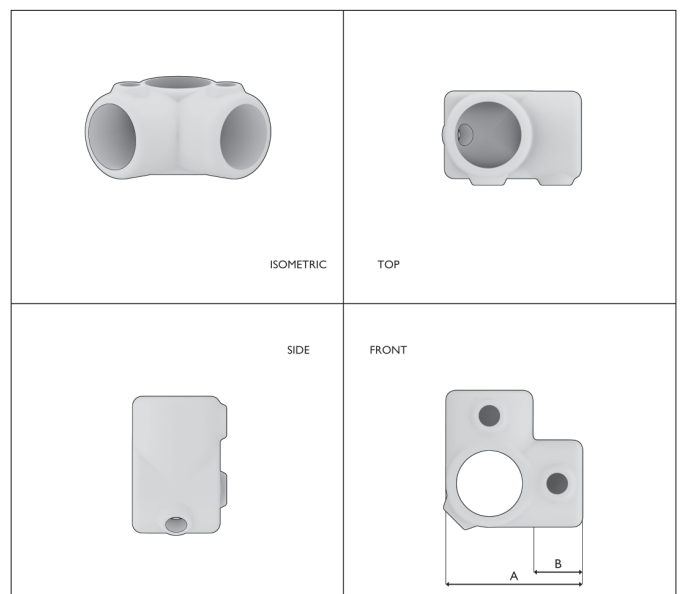
Type	Int.Code	Size	A	B	BSP	Weight
6080X18C	128-B34	33,7mm (1")	69	22	1/4"	0,46 kg
6080X18D	128-C42	42,4mm (1 1/4")	87	28	3/8"	0,87 kg

Number of items per box:
6080X18C: 30 - 6080X18D: 15

TYPE 20 BLACK | CORNER WITH TROUGH TUBE 90°

OUTDOOR USE

Often used on intermediate rail corners to match Type 18, tube passes through the clamp.



Type	Int.Code	Size	A	B	BSP	Weight
6080X20C	116-B34	33,7mm (1")	69	22	1/4"	0,39 kg
6080X20D	116-C42	42,4mm (1 1/4")	87	32	3/8"	0,58 kg

Number of items per box:
6080X20C: 35 - 6080X20D: 20



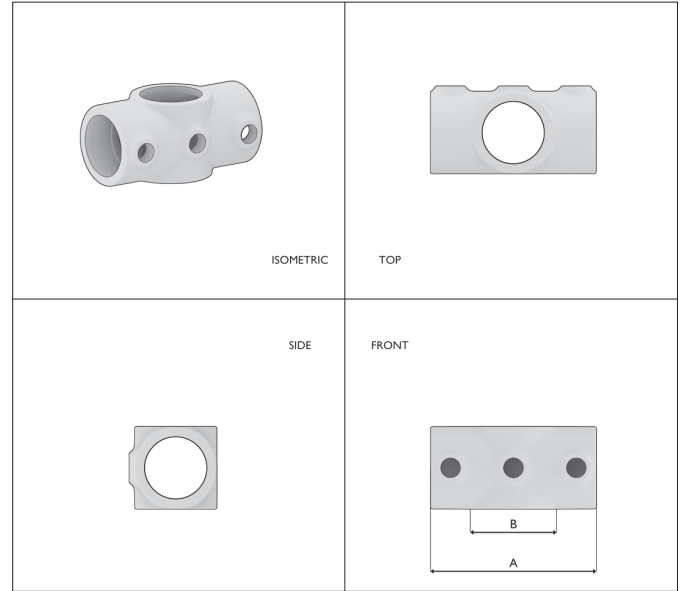
TYPE 22 BLACK | TWO SOCKET CROSS

90° joint clamp between the middle rail and an upright on railings.

OUTDOOR USE



Type	Int.Code	Size	A	B	BSP	Weight
6080X22C	119-B34	33,7mm (1")	92	48	1/4"	0,38 kg
6080X22D	119-C42	42,4mm (1 1/4")	120	58	3/8"	0,62 kg



Number of items per box:
6080X22C: 40 - 6080X22D: 20

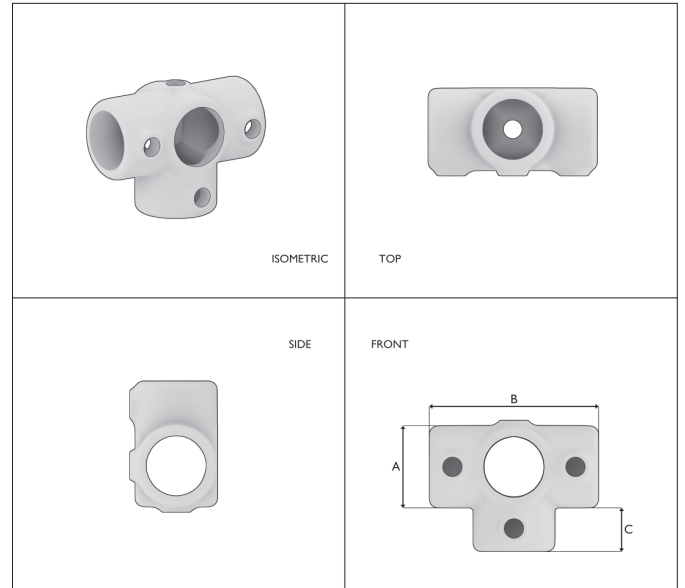
TYPE 24 BLACK | SIDE OUTLET TEE

3-direction clamp used to fix uprights with 3 horizontal tubes that are perpendicular to each other. Upright tube passes through the clamp.

OUTDOOR USE



Type	Int.Code	Size	A	B	C	BSP	Weight
6080X24C	176-B34	33,7mm (1")	46	92	23	1/4"	0,48 kg
6080X24D	176-C42	42,4mm (1 1/4")	55	120	30	3/8"	0,79 kg



Number of items per box:
6080X24C: 25 - 6080X24D: 20

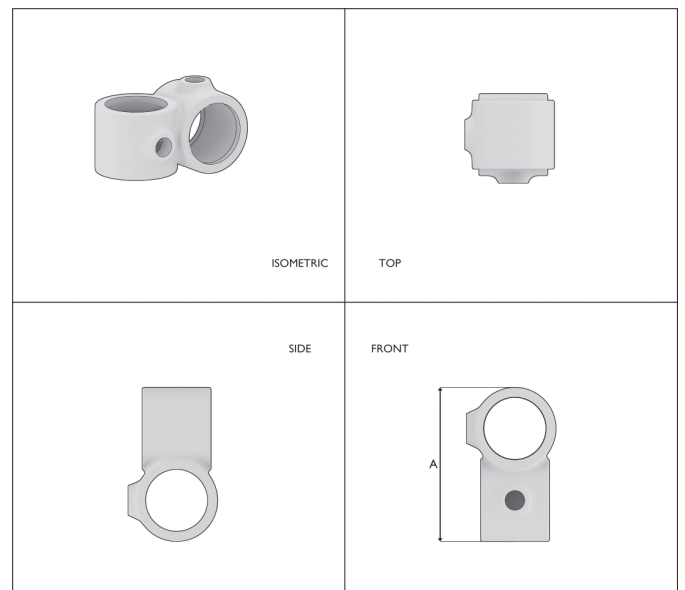
TYPE 28 BLACK | CROSSOVER 90°

Crossover clamp (90°). Used for long tube intersections with uprights where decreasing cutting cost and increasing strength of the system with continuity of the tube is desired.

OUTDOOR USE



Type	Int.Code	Size	A	BSP	Weight
6080X28C	161-B34	33,7mm (1")	86	1/4"	0,31 kg
6080X28D	161-C42	42,4mm (1 1/4")	110	3/8"	0,49 kg



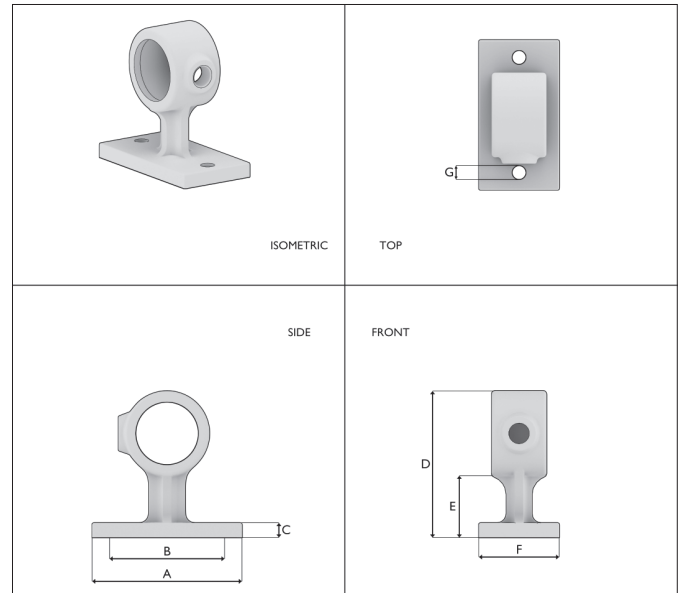
Number of items per box:
6080X28C: 50 - 6080X28D: 40



TYPE 34 BLACK | HANDRAIL SUPPORT

For fixing handrails and structures to walls.

OUTDOOR USE



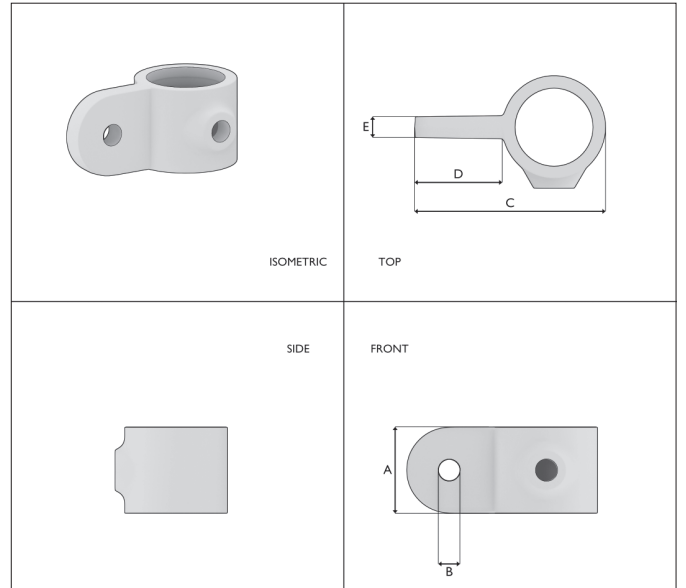
Type	Int.Code	Size	A	B	C	D	E	F	G	BSP	Weight
6080X34C	143W-B34	33,7mm (1")	82	63	8	80	34	44	8	1/4"	0,41 kg
6080X34D	143W-C42	42,4mm (1 1/4")	102	76	8	91	36	44	10	3/8"	0,65 kg

Number of items per box:
6080X34C: 45 - 6080X34D: 30

TYPE 36 BLACK | MALE SINGLE LUG

Used with Type 42 for swivel fittings, also used for fixing panels and boards.

OUTDOOR USE



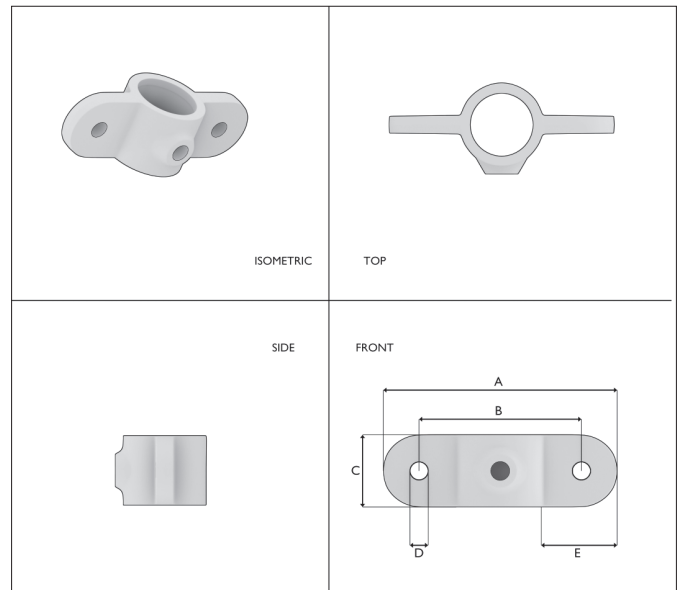
Type	Int.Code	Size	A	B	C	D	E	BSP	Weight
6080X36C	173M-B34	33,7mm (1")	38	10	85	39	10	1/4"	0,25 kg
6080X36D	173M-C42	42,4mm (1 1/4")	38	10	94	40	10	3/8"	0,33 kg

Number of items per box:
6080X36C: 80 - 6080X36D: 55

TYPE 38 BLACK | MALE DOUBLE LUG

Similar to Type 36 with two lugs on the same axis (180°).

OUTDOOR USE



Type	Int.Code	Size	A	B	C	D	E	BSP	Weight
6080X38C	167M-B34	33,7mm (1")	123	86	38	10	39	1/4"	0,25 kg
6080X38D	167M-C42	42,4mm (1 1/4")	134	96	38	10	40	3/8"	0,33 kg

Number of items per box:
6080X38C: 75 - 6080X38D: 45



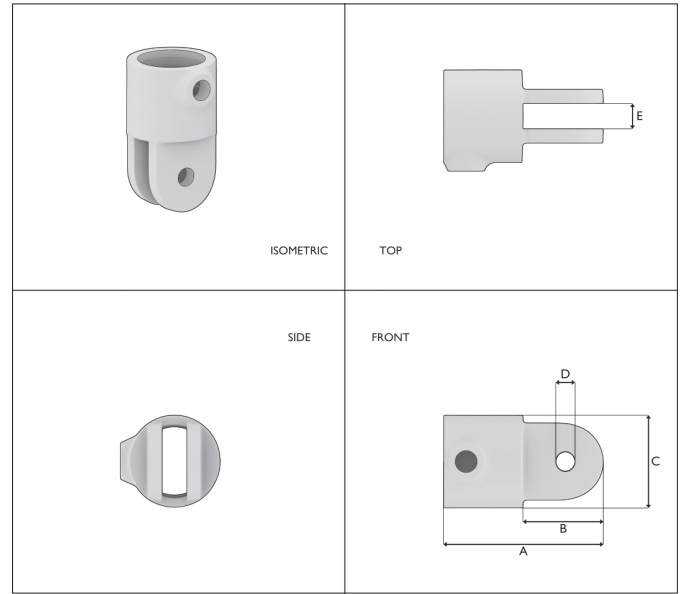
TYPE 42 BLACK | FEMALE SINGLE SOCKET

OUTDOOR USE

One part of swivel fitting, not generally used alone, combination for example Type 36.



Type	Int.Code	Size	A	B	C	D	E	BSP	Weight
6080X42C	173F-B34	33,7mm (1")	79	40	46	10	13	1/4"	0,31 kg
6080X42D	173F-C42	42,4mm (1 1/4")	78	40	54	10	13	3/8"	0,41 kg



Number of items per box:
6080X42C: 60 - 6080X42D: 40

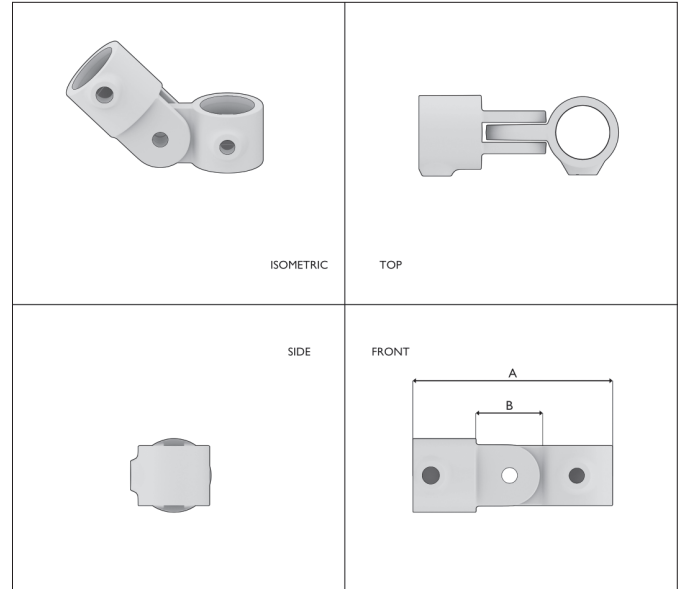
TYPE 44 BLACK | SINGLE SWIVEL

OUTDOOR USE

Swivel fitting for variable angle fixing.



Type	Int.Code	Size	A	B	BSP	Weight
6080X44C	173-B34	33,7mm (1")	124	42	1/4"	0,56 kg
6080X44D	173-C42	42,4mm (1 1/4")	143	42	3/8"	0,74 kg



Number of items per box:
6080X44C: 35 - 6080X44D: 25

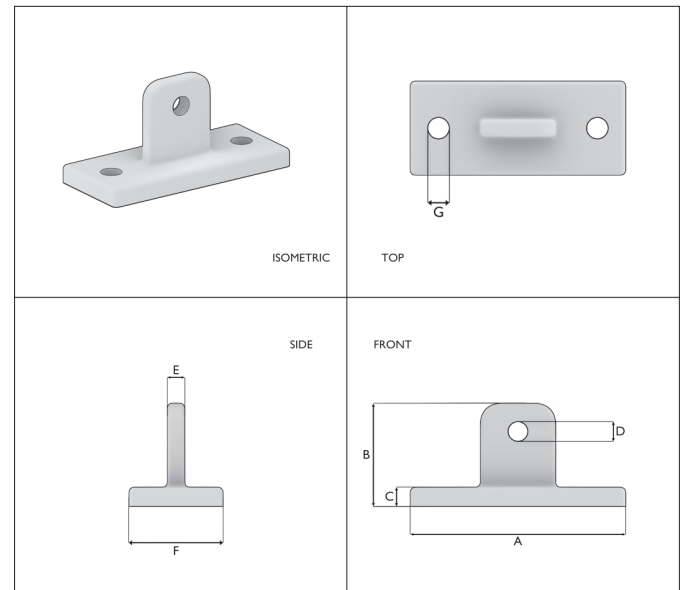
TYPE 50 BLACK | SWIVEL BASE PLATE (UNISIZE)

OUTDOOR USE

For fixing structures to wall or floor, usually used with Type 42.



Type	Int.Code	Size	A	B	C	D	E	F	G	Weight
6080X50	169M	One size	115	55	10	11	9	50	12	0,36 kg



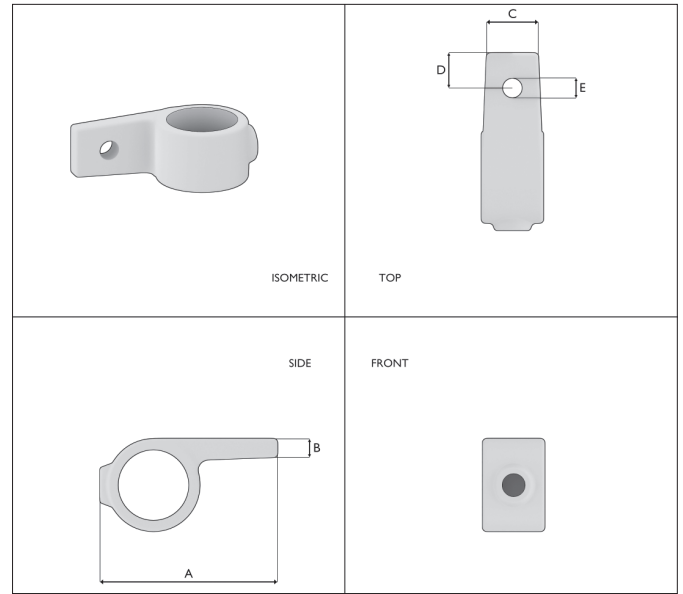
Number of items per box:
6080X50: 50



TYPE 55 BLACK | COLLAR PLATE SINGLE SIDE

Fitting for panel fixing.

OUTDOOR USE



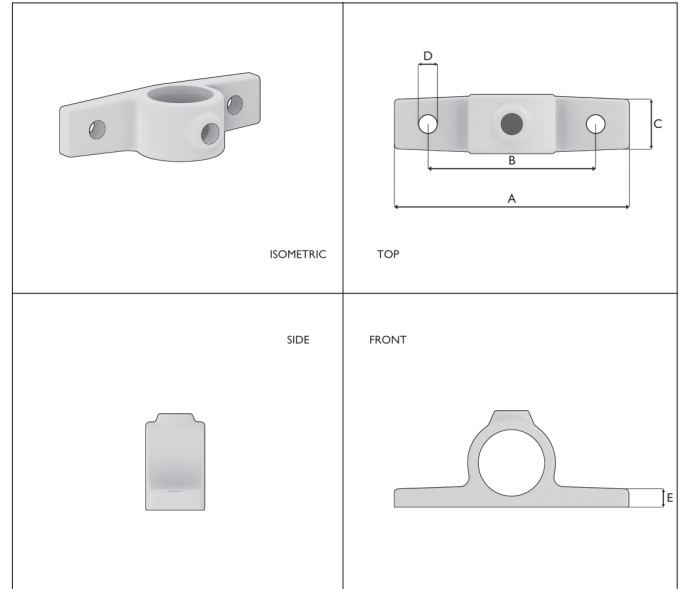
Type	Int.Code	Size	A	B	C	D	E	BSP	Weight
6080X55C	199-B34	33,7mm (1")	86	9	25	17	10	1/4"	0,22 kg
6080X55D	199-C42	42,4mm (1 1/4")	96	9	30	17	10	3/8"	0,32 kg

Number of items per box:
6080X55C: 90 - 6080X55D: 65

TYPE 56 BLACK | COLLAR PLATE DOUBLE SIDE

Panel fixing with two lugs also used for locking gates.

OUTDOOR USE



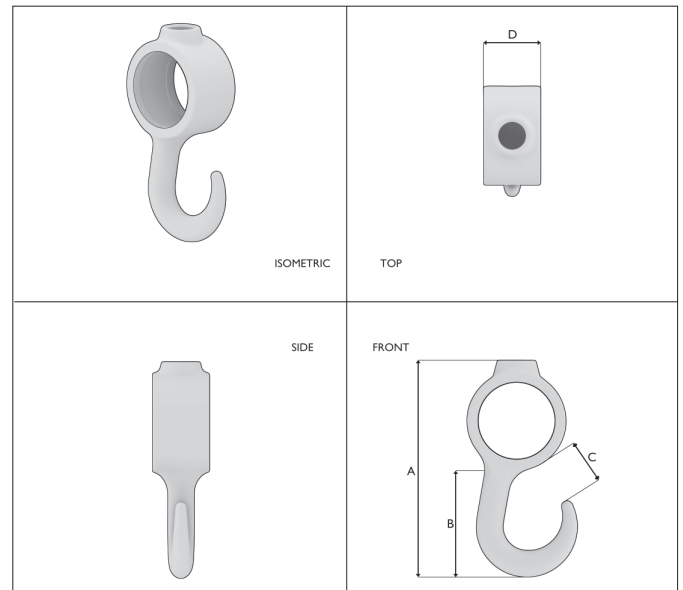
Type	Int.Code	Size	A	B	C	D	E	BSP	Weight
6080X56C	198-B34	33,7mm (1")	120	86	25	10	9	1/4"	0,33 kg
6080X56D	198-C42	42,4mm (1 1/4")	130	96	30	10	9	3/8"	0,45 kg

Number of items per box:
6080X56C: 70 - 6080X56D: 40

TYPE 64 BLACK | COAT HOOK

Hook 90 degrees narrow. Similar to tube coupling Type 61, but better suited for making coat hangers and the like.

OUTDOOR USE



Type	Int.Code	Size	A	B	C	D	BSP	Weight
6080X64C	182T-B34	33,7mm (1")	98	48	20	26	1/4"	0,22 kg
6080X64D	182T-C42	42,4mm (1 1/4")	108	49	20	26	3/8"	0,32 kg

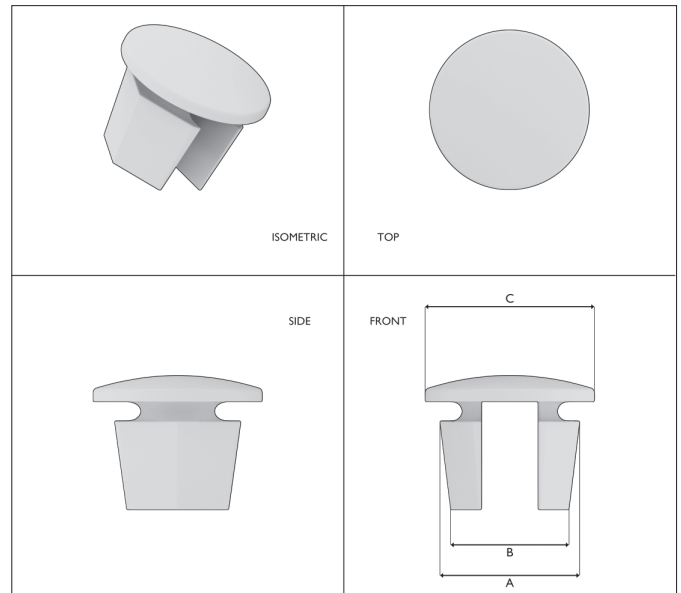
Number of items per box:
6080X64C: 100 - 6080X64D: 120



TYPE 73 BLACK | METAL PLUG

Metal cap used to plug the end of the tube.

OUTDOOR USE



Type	Int.Code	Size	A	B	C	Weight
6080X73C	I84-B34	33,7mm (1")	29	24	35	0,06 kg
6080X73D	I84-C42	42,4mm (1 1/4")	36	26	43	0,10 kg

Number of items per box:
6080X73C: 300 - 6080X73D: 150

TYPE 76 BLACK | STAINLESS STEEL SET SCREWS

Adjusting screw for tube fittings.



Type	Int.code	Size	Weight
6080Z76A		1/8" (for the use of type A)	3 g
6080Z76BC	300	1/4" (for the use of type B / C and 25 mm)	7 g
6080Z76DEF	301	3/8" (for the use of type D / E / F and 40 mm)	14 g



TYPE 78 BLACK | PLASTIC SCREW CAP

Plastic screw cap black (25 pieces per bag)

Type	Int.code	Size	Quantity per bag
6080Z78A	For the use of type A	8 g	25
6080Z78BC	For the use of type B / C and 25 mm	12 g	25
6080Z78DEF	For the use of type D / E / F and 40 mm	17 g	25

STEEL TUBE BLACK

A large part of our tubefittings and tubes are now also available in black! These tubes have a standard trade length of 300 cm but can of course always be cut to size for you. Quality standard EN-10219-L (Art.nr. STBZ213, STBZ269, STBZ337 and STBZ424).



Type	Size	Size (diameter x wall thickness)	Weight per meter	Number of lengths per bundle
STBZ213	A	21,3 x 2 mm (1/2")	0,985 kg	450
STBZ269	B	26,9 x 2,3 mm (3/4")	1,435 kg	300
STBZ337	C	33,7 x 2,6 mm (1")	2,058 kg	200
STBZ424	D	42,4 x 2,6 mm (1 1/4")	2,642 kg	150
STBZ483	E	48,3 x 2,9 mm (1 1/2")	3,359 kg	100

ALUMINUM TUBE BLACK

Standard trade length approx 600 cm. High quality alloy in accordance with quality standard EN AW-6060 T66.



Type	Size	Size (diameter x wall thickness)	Weight per meter	Number of lengths per bundle
ABZ269	B	26,9 x 2,5 mm (3/4")	0,517 kg	160
ABZ337	C	33,7 x 3 mm (1")	0,781 kg	104
ABZ420	D	42 x 3 mm (1 1/2")	0,992 kg	86
ABZ480	E	48 x 3 mm (1 1/2")	1,145 kg	77

VINTAGE BROWN tube fittings



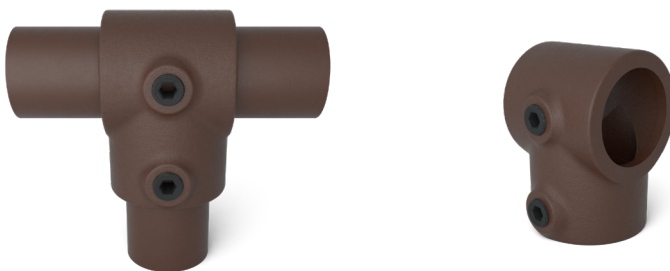
A whole new line of tube connectors and tubes in Vintage Brown, suitable for indoor and outdoor use. Due to market demand, we had these developed for applications in the (garden) furniture industry, the event market and shop & catering interiors.

This product range is now available in sizes 26.9 and 33.7 mm.

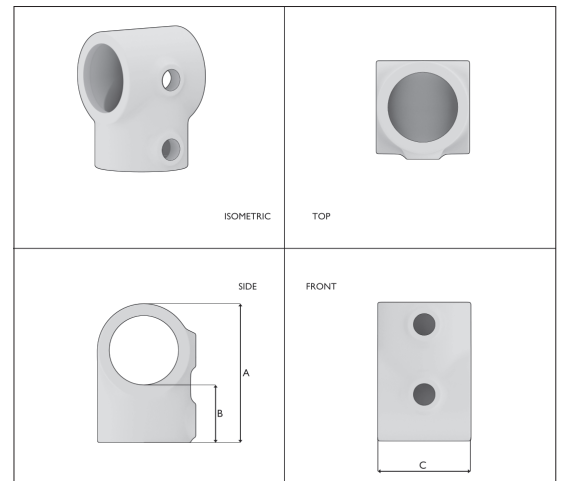


TYPE 2 VINTAGE BROWN | SHORT TEE

Provides a perpendicular connection between two tubes. Top fitting or straight and level railing uprights. This fitting cannot be used to join horizontal tube within the fitting.



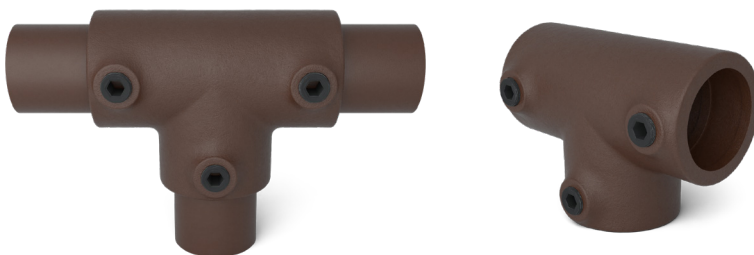
Type	Int.Code	Size	A	B	C	BSP	Weight
6080V02B	101-A27	26,9mm (3/4")	60	29	37	1/4"	0,20 kg
6080V02C	101-B34	33,7mm (1")	69	28	47	1/4"	0,30 kg



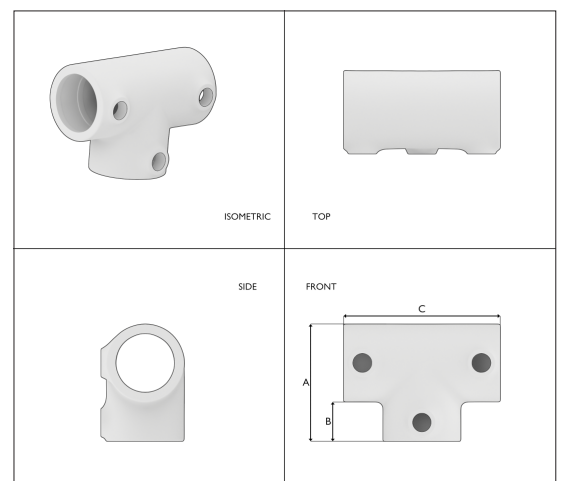
Number of items per box:
6080V02B: 90 - 6080V02C: 55

TYPE 4 VINTAGE BROWN | THREE SOCKET TEE

Similar to Type 2. This fitting can be used where a join is require in the horizontal tube.



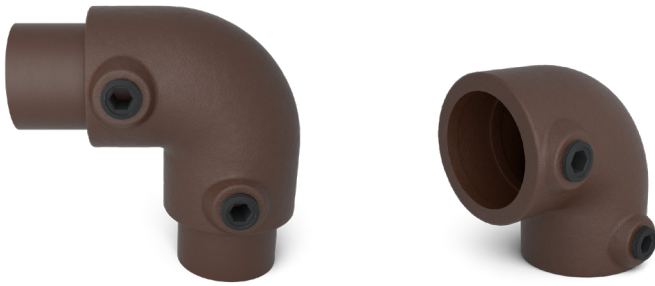
Type	Int.Code	Size	A	B	C	BSP	Weight
6080V04B	104-A27	26,9mm (3/4")	60	23	82	1/4"	0,33 kg
6080V04C	104-B34	33,7mm (1")	64	23	92	1/4"	0,46 kg



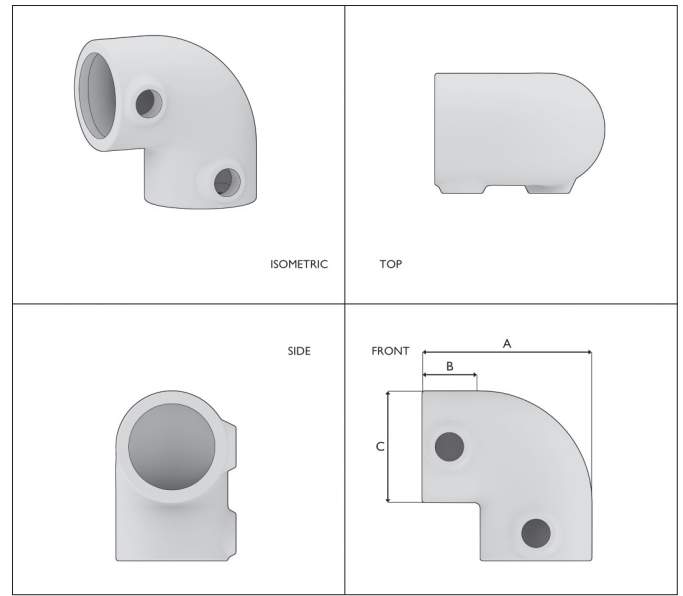
Number of items per box:
6080V04B: 50 - 6080V04C: 30

TYPE 6 VINTAGE BROWN | ELBOW 90°

Elbow joint fitting (90°) used as an end fitting the top rail.



Type	Int.Code	Size	A	B	C	BSP	Weight
6080V06B	I25-A27	26,9mm (3/4")	60	22	37	1/4"	0,20 kg
6080V06C	I25-B34	33,7mm (1")	69	22	45	1/4"	0,30 kg



Number of items per box:

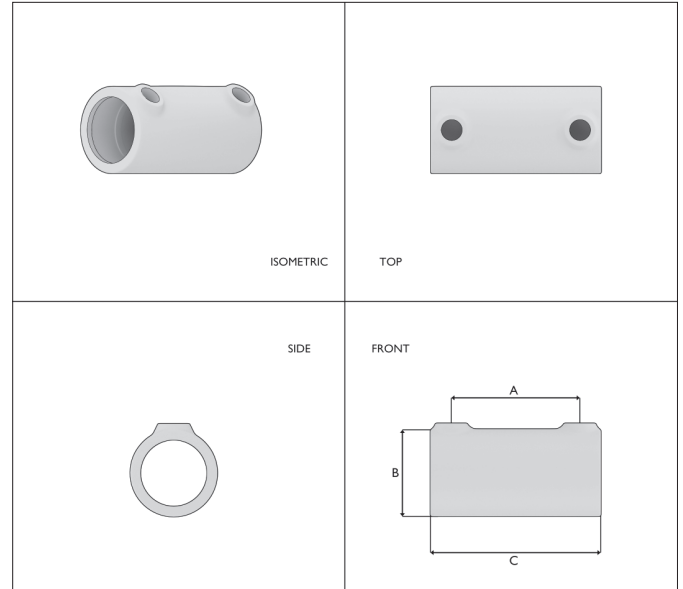
6080V06B: 80 - 6080V06C: 50

TYPE 8 VINTAGE BROWN | STRAIGHT COUPLING

Joint clamp for tubes of the same diameter. Do not use for heavy vertical loads. Alternative clamp is Type 9 used as an internal spigot.



Type	Int.Code	Size	A	B	C	BSP	Weight
6080V08B	I49-A27	26,9mm (3/4")	54	37	76	1/4"	0,22 kg
6080V08C	I49-B34	33,7mm (1")	67	46	89	1/4"	0,38 kg

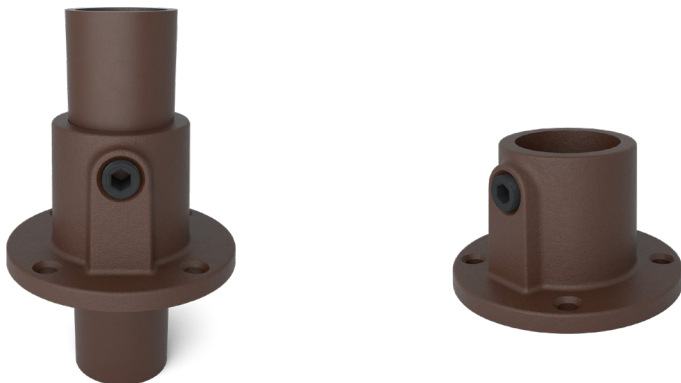


Number of items per box:

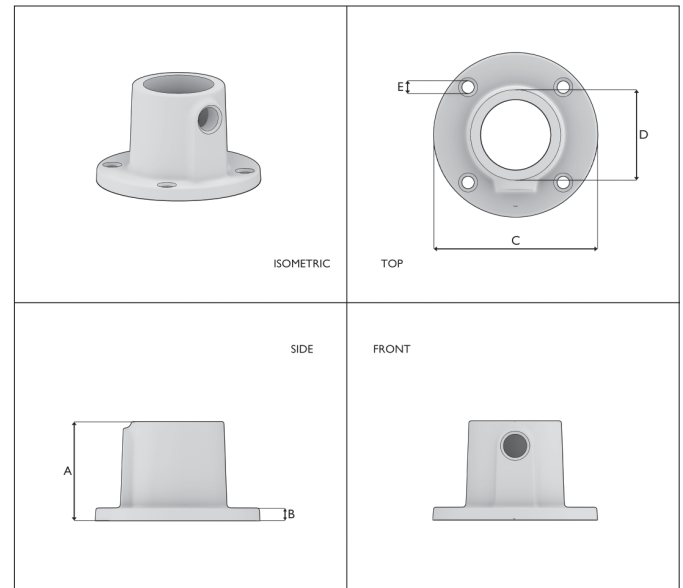
6080V08B: 80 - 6080V08C: 45

TYPE 10T VINTAGE BROWN | ROUND BASE PLATE OPEN

This tubefitting is suitable for constructions where the tube has to run through. Suitable for the use of e.g. intermediate shelves



Type	Int.Code	Size	A	B	C	D	E	BSP	Weight
6080V10TB	I31TX-A27	26,9mm (3/4")	42	4	70	38	6,1	1/4"	0,23 kg
6080V10TC	I31TX-B34	33,7mm (1")	48	6	80	46	6,5	1/4"	0,42 kg

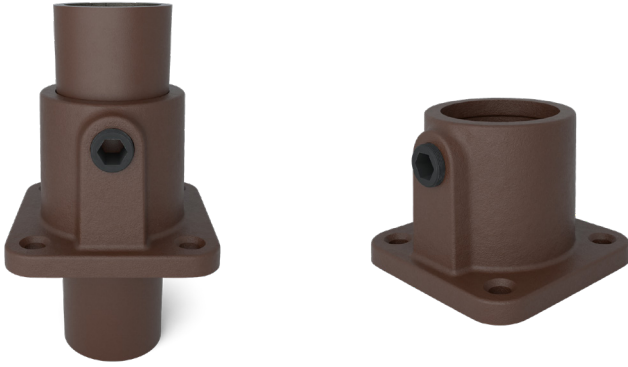


Number of items per box:

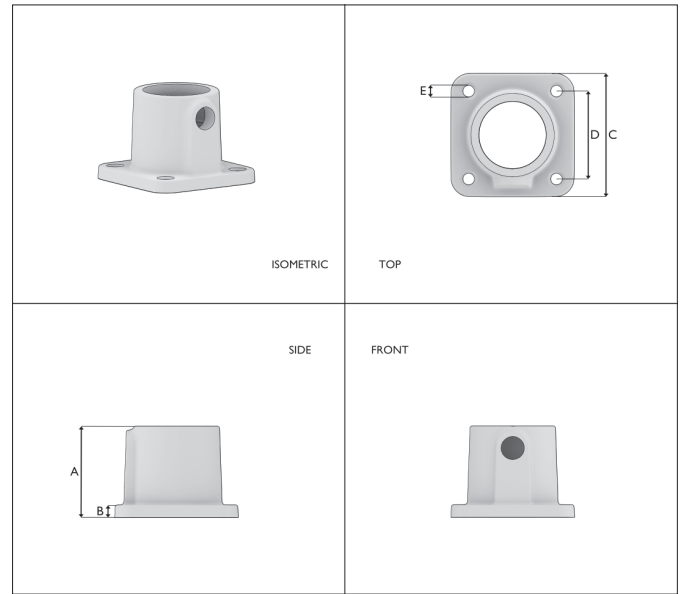
6080V10TB: 65 - 6080V10TC: 40

TYPE 11 VINTAGE BROWN | SQUARE BASE PLATE

Use this tubefitting for positioning constructions. Due to the shape of the base plate, it can be fixed nicely on a surface at a 90° angle. Do not use it as a base for supporting safety railings or similar constructions



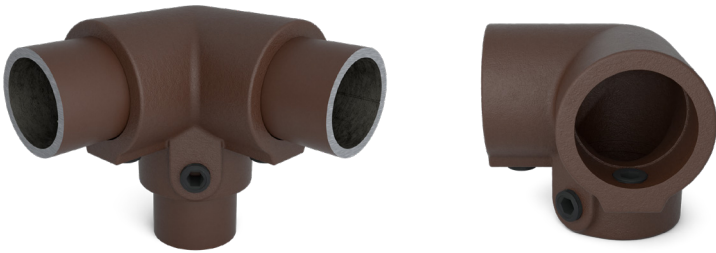
Type	Int.Code	Size	A	B	C	D	E	BSP	Weight
6080V11B	F131-A27	26,9mm (3/4")	42	4	55	40	6,5	1/4"	0,21 kg
6080V11C	F131-B34	33,7mm (1")	48	7	65	46	6,5	1/4"	0,34 kg



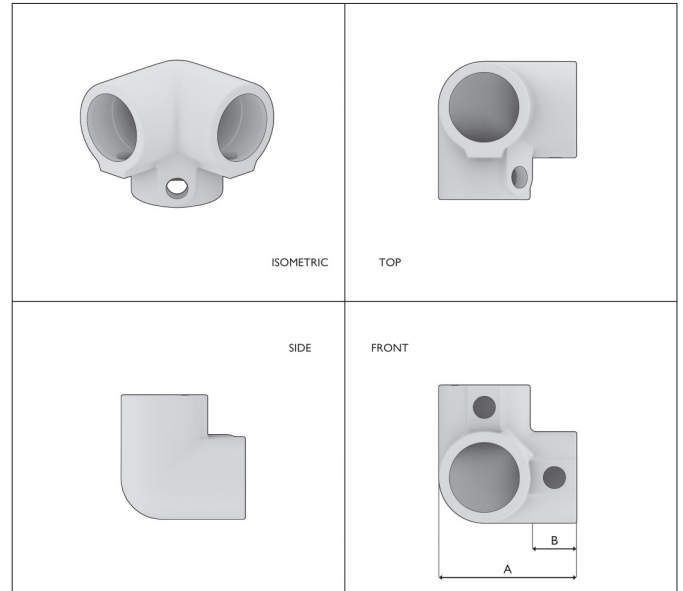
Number of items per box:
6080V11B: **85** - 6080V11C: **45**

TYPE 18 VINTAGE BROWN | THREE WAY TOP CORNER 90°

Corner joint (90°) clamp used for top rail corners and any other rectangular system.



Type	Int.Code	Size	A	B	BSP	Weight
6080V18B	I28-A27	26,9mm (3/4")	60	21	1/4"	0,38 kg
6080V18C	I28-B34	33,7mm (1")	69	22	1/4"	0,46 kg



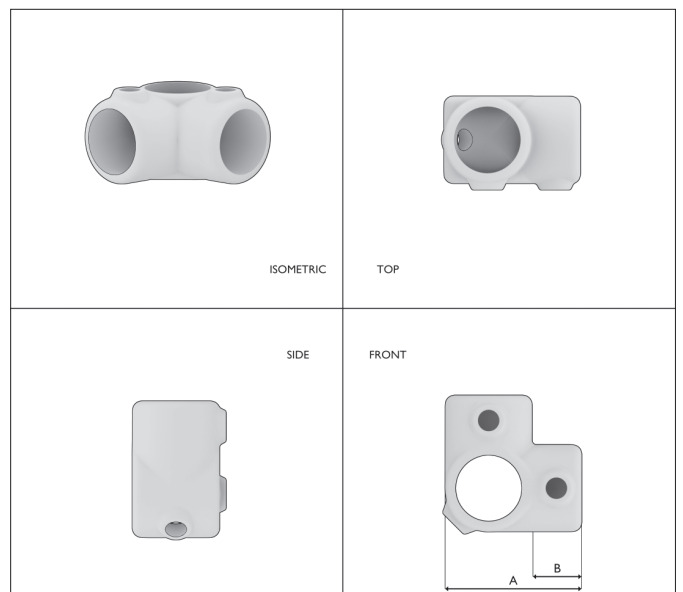
Number of items per box:
6080V18B: **50** - 6080V18C: **30**

TYPE 20 VINTAGE BROWN | CORNER WITH TROUGH TUBE 90°

Often used on intermediate rail corners to match Type 18, tube passes through the clamp.



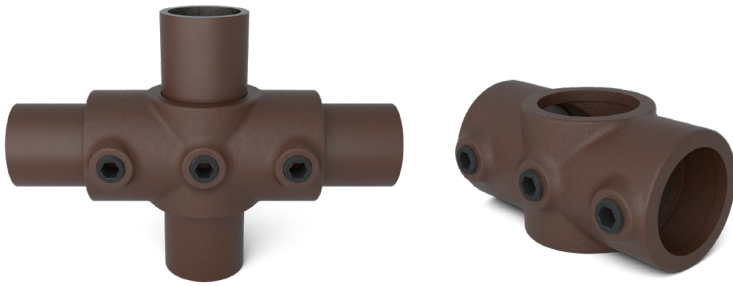
Type	Int.Code	Size	A	B	BSP	Weight
6080V20B	I16-A27	26,9mm (3/4")	60	22	1/4"	0,27 kg
6080V20C	I16-B34	33,7mm (1")	69	22	1/4"	0,39 kg



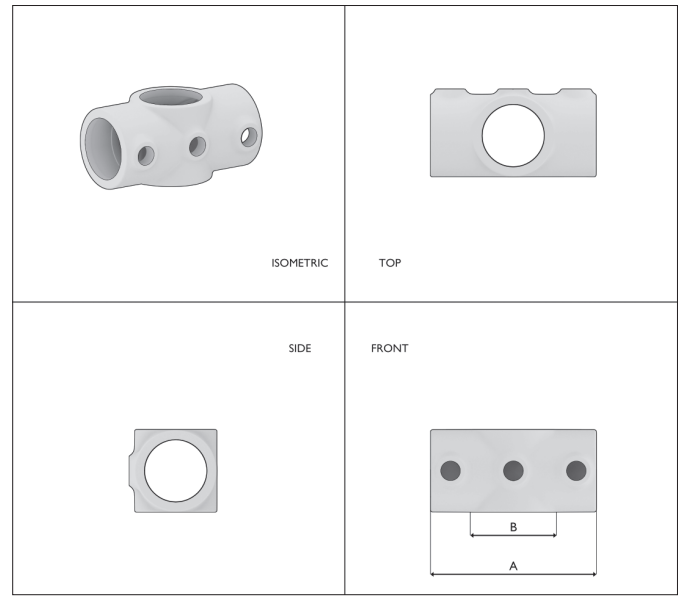
Number of items per box:
6080V20B: **65** - 6080V20C: **35**

TYPE 22 VINTAGE BROWN | TWO SOCKET CROSS

90° joint clamp between the middle rail and an upright on railings.



Type	Int.Code	Size	A	B	BSP	Weight
6080V22B	119-A27	26,9mm (3/4")	81	35	1/4"	0,26 kg
6080V22C	119-B34	33,7mm (1")	92	48	1/4"	0,38 kg

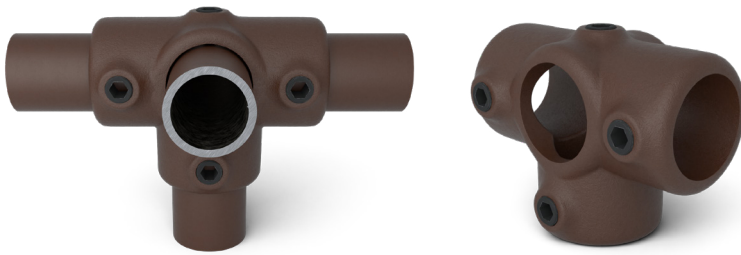


Number of items per box:

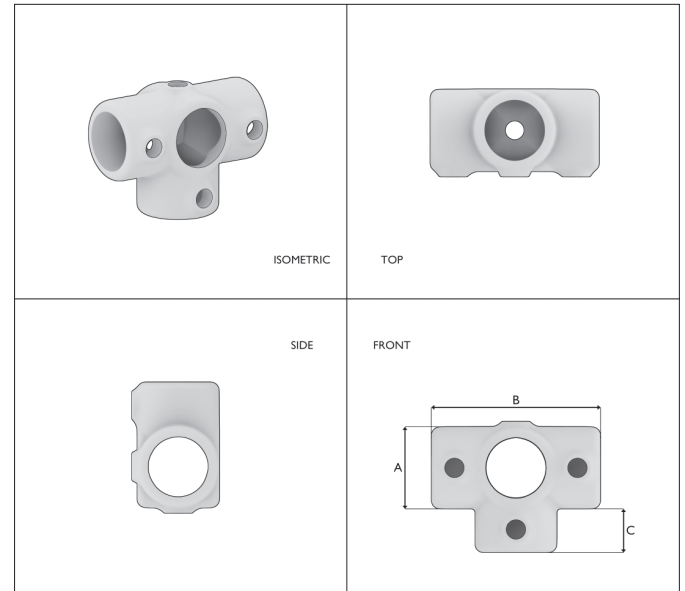
6080V22B: 70 - 6080V22C: 40

TYPE 24 VINTAGE BROWN | SIDE OUTLET TEE

3-direction clamp used to fix uprights with 3 horizontal tubes that are perpendicular to each other. Upright tube passes through the clamp.



Type	Int.Code	Size	A	B	C	BSP	Weight
6080V24B	176-A27	26,9mm (3/4")	37	82	21	1/4"	0,36 kg
6080V24C	176-B34	33,7mm (1")	46	92	23	1/4"	0,48 kg

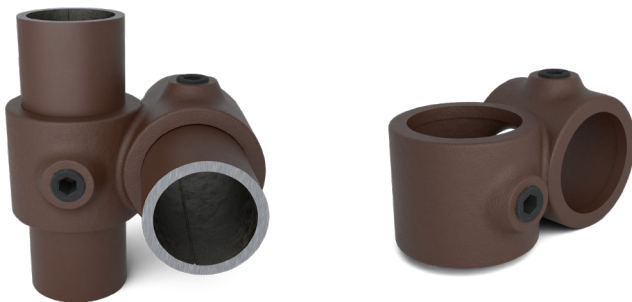


Number of items per box:

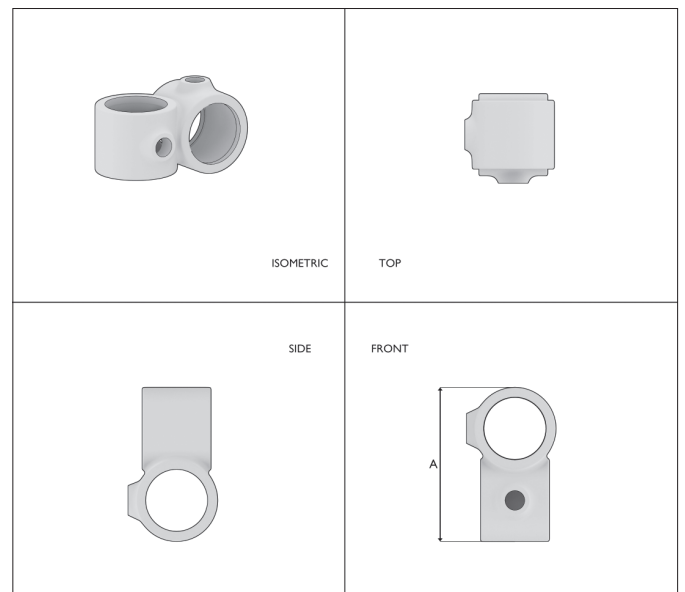
6080V24B: 30 - 6080V24C: 25

TYPE 28 VINTAGE BROWN | CROSSOVER 90°

Crossover clamp (90°). Used for long tube intersections with uprights where decreasing cutting cost and increasing strength of the system with continuity of the tube is desired.



Type	Int.Code	Size	A	BSP	Weight
6080V28B	161-A27	26,9mm (3/4")	71	1/4"	0,20 kg
6080V28C	161-B34	33,7mm (1")	86	1/4"	0,31 kg

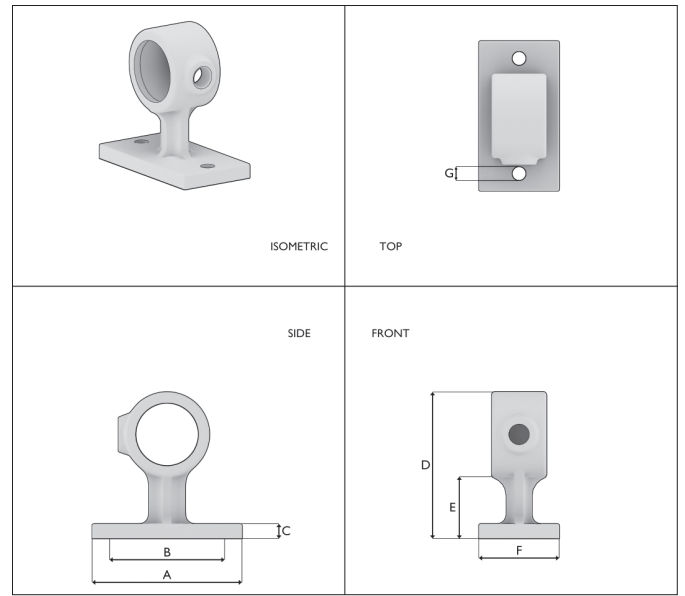
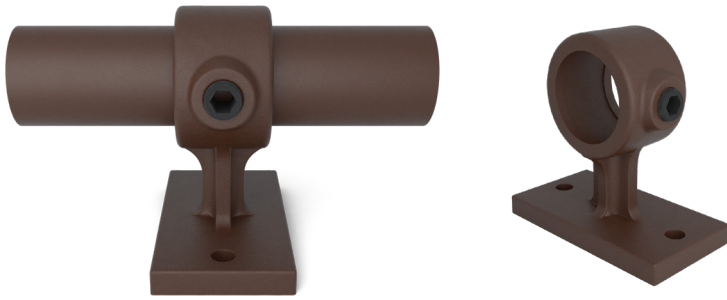


Number of items per box:

6080V28B: 90 - 6080V28C: 50

TYPE 34 VINTAGE BROWN | HANDRAIL SUPPORT

For fixing handrails and structures to walls.



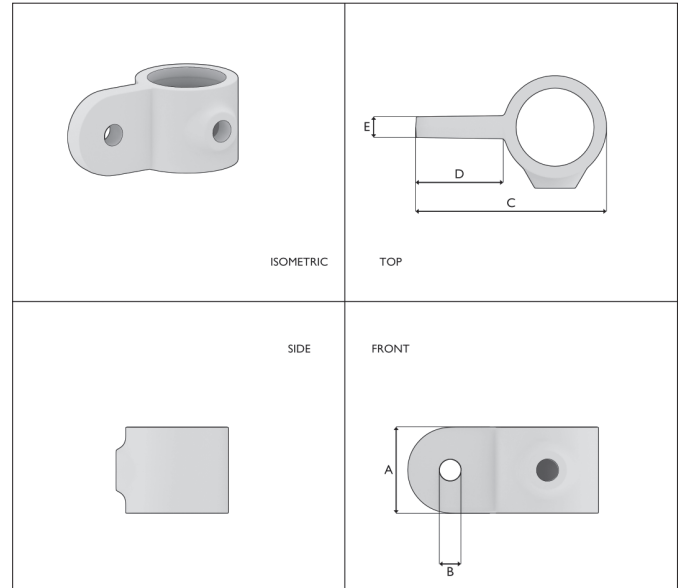
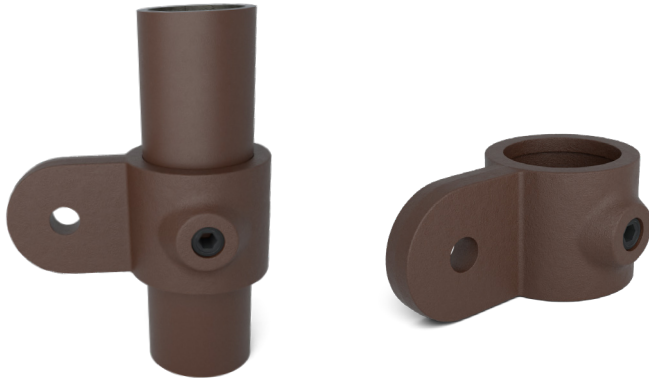
Type	Int.Code	Size	A	B	C	D	E	F	G	BSP	Weight
6080Z34B	I43W-A27	26,9mm (3/4")	76	57	7	72	36	46	8	1/4"	0,38 kg
6080Z34C	I43W-B34	33,7mm (1")	82	63	8	80	34	44	8	1/4"	0,41 kg

Number of items per box:

6080V34B: 50 - 6080V34C: 45

TYPE 36 VINTAGE BROWN | MALE SINGLE LUG

Used with Type 42 for swivel fittings, also used for fixing panels and boards.



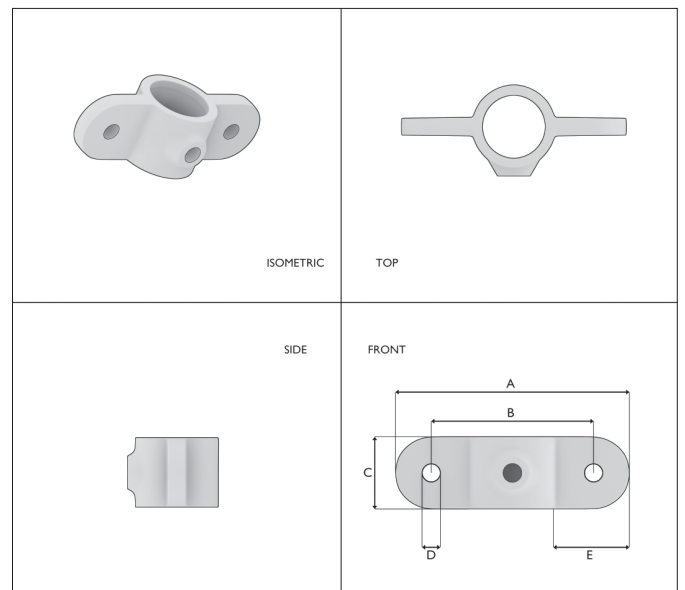
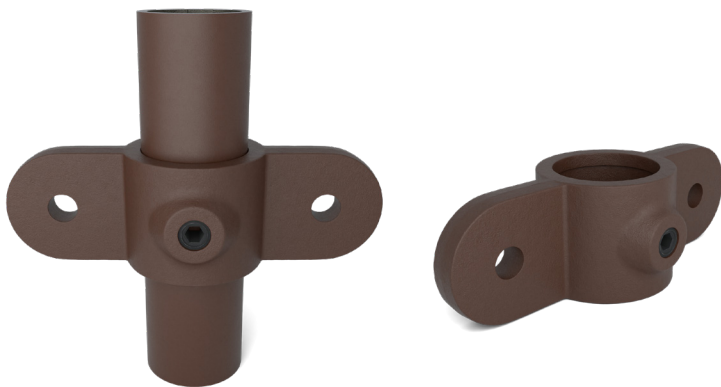
Type	Int.Code	Size	A	B	C	D	E	BSP	Weight
6080V36B	I73M-A27	26,9mm (3/4")	38	10	77	39	10	1/4"	0,22 kg
6080V36C	I73M-B34	33,7mm (1")	38	10	85	39	10	1/4"	0,25 kg

Number of items per box:

6080V36B: 95 - 6080V36C: 80

TYPE 38 VINTAGE BROWN | MALE DOUBLE LUG

Similar to Type 36 with two lugs on the same axis (180°).



Type	Int.Code	Size	A	B	C	D	E	BSP	Weight
6080V38B	I67M-A27	26,9mm (3/4")	116	78	38	10	40	1/4"	0,22 kg
6080V38C	I67M-B34	33,7mm (1")	123	86	38	10	39	1/4"	0,25 kg

Number of items per box:

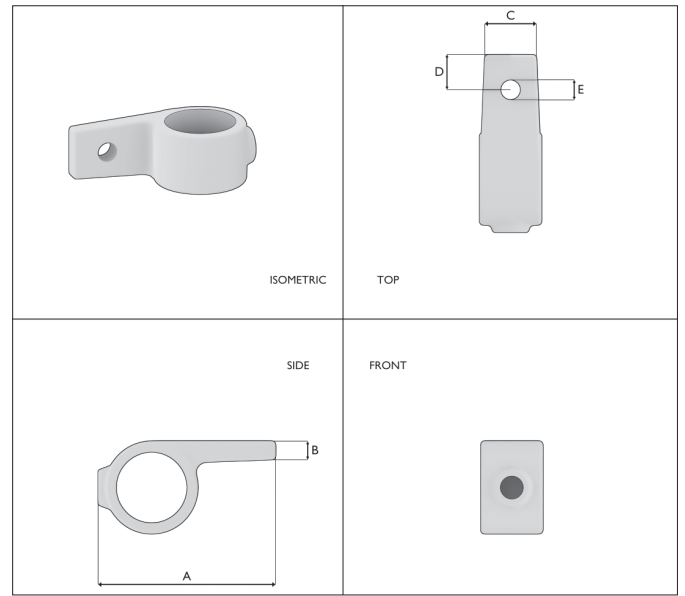
6080V38B: 95 - 6080V38C: 60

TYPE 55 VINTAGE BROWN | COLLAR PLATE SINGLE SIDE

Fitting for panel fixing.



Type	Int.Code	Size	A	B	C	D	E	BSP	Weight
6080V55B	I99-A27	26,9mm (3/4")	78	8	20	17	10	1/4"	0,15 kg
6080V55C	I99-B34	33,7mm (1")	86	9	25	17	10	1/4"	0,22 kg



Number of items per box:

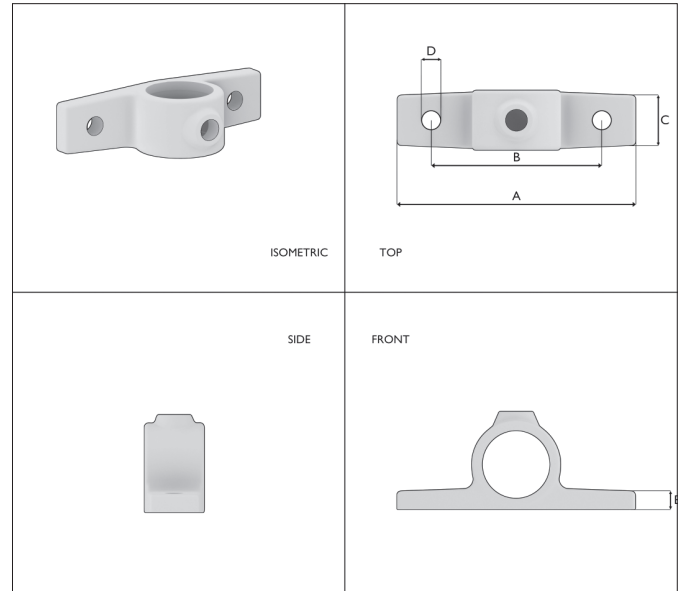
6080V55B: 130 - 6080V55C: 90

TYPE 56 VINTAGE BROWN | COLLAR PLATE DOUBLE SIDE

Panel fixing with two lugs also used for locking gates.



Type	Int.Code	Size	A	B	C	D	E	BSP	Weight
6080V56B	I98-A27	26,9mm (3/4")	110	76	25	10	8	1/4"	0,25 kg
6080V56C	I98-B34	33,7mm (1")	120	86	25	10	9	1/4"	0,33 kg

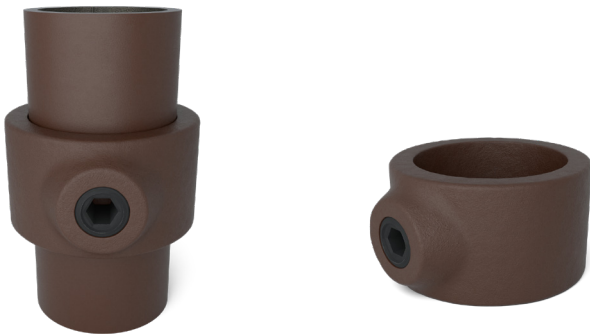


Number of items per box:

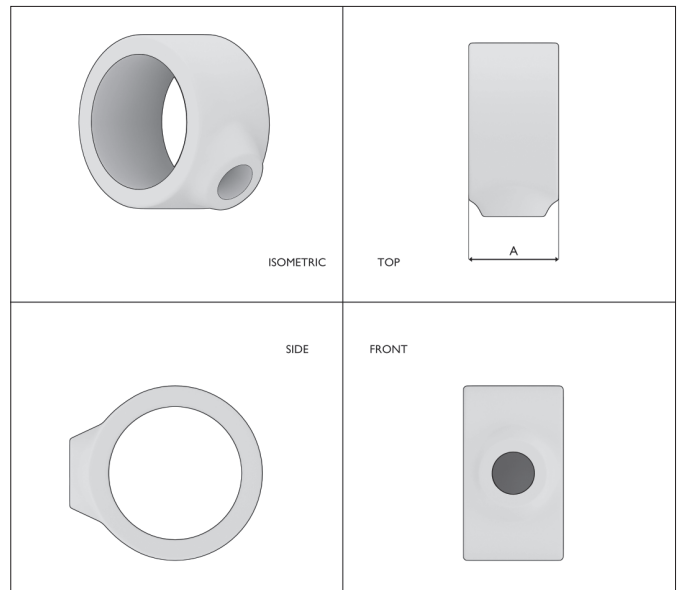
6080V56B: 80 - 6080V56C: 70

TYPE 60 VINTAGE BROWN | COLLAR

Support fitting to increase slip resistance of fittings that are under high loads.



Type	Int.Code	Size	A	BSP	Weight
6080V60B	I79-A27	26,9mm (3/4")	25	1/4"	0,09 kg
6080V60C	I79-B34	33,7mm (1")	25	1/4"	0,12 kg



Number of items per box:

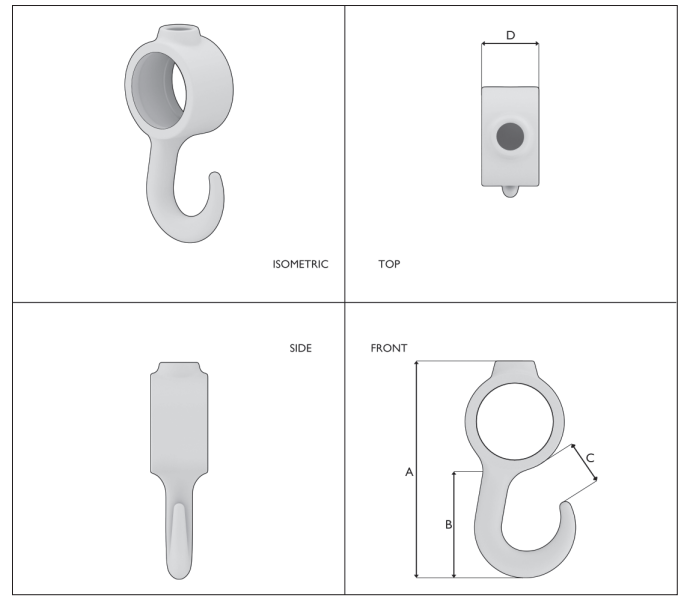
6080V60B: 180 - 6080V60C: 150

TYPE 64 VINTAGE BROWN | COAT HOOK

Hook 90°. suited for making coat hangers and the like.



Type	Int.Code	Size	A	B	C	D	BSP	Weight
6080V64B	182T-A27	26,9mm (3/4")	90	47	20	26	1/4"	0,15 kg
6080V64C	182T-B34	33,7mm (1")	98	48	20	26	1/4"	0,22 kg



Number of items per box:

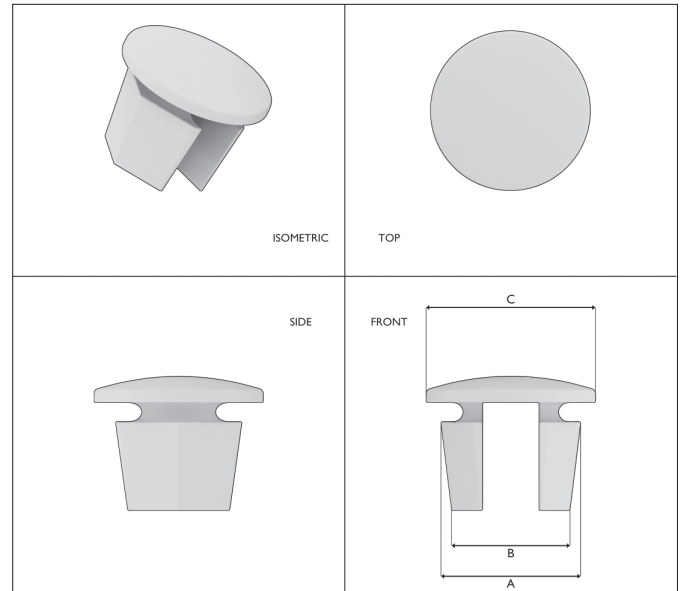
6080V64B: **115** - 6080V64C: **100**

TYPE 73 VINTAGE BROWN | METAL PLUG

Metal cap used to plug the end of the tube.



Type	Int.Code	Size	A	B	C	Weight
6080V73B	184-A27	26,9mm (3/4")	22	19	27	0,04 kg
6080V73C	184-B34	33,7mm (1")	29	24	35	0,06 kg



Number of items per box:

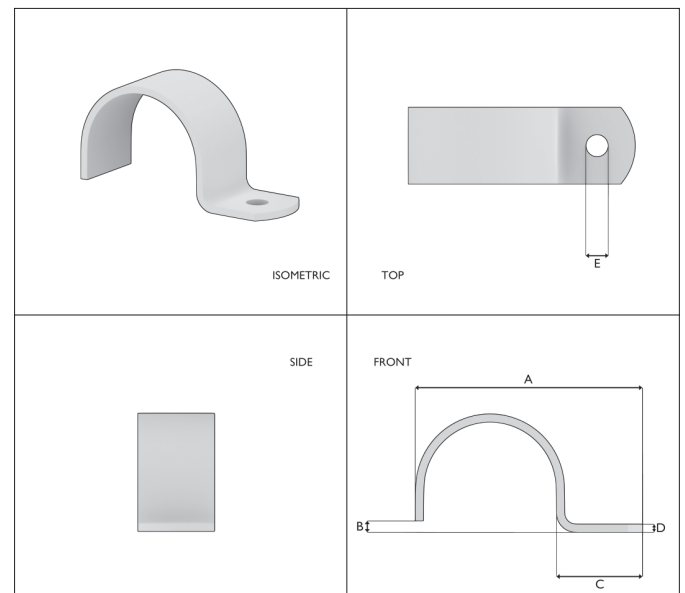
6080V73B: **400** - 6080V73C: **300**

TYPE 100 VINTAGE BROWN | SADDLE CLAMP

Our steel cap brackets are electrolytically galvanized and therefore rust-resistant. These so-called single-lip cover brackets are available for tube sizes 21.3 mm up to 60.3 mm.



Type	Int.Code	Size	A	B	C	D	E	Weight
6080V100B	LUG-A27	26,9mm (3/4")	52	4	23	2	6	0,03 kg
6080V100C	LUG-B34	33,7mm (1")	59	3	23	2	6	0,03 kg



Number of items per box:

6080V100B: **400** - 6080V100C: **300**

NATURAL tube fittings



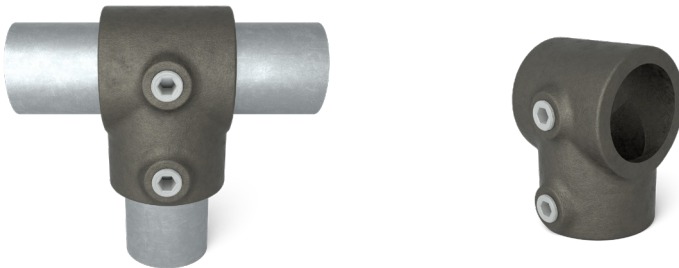
Natural tube fittings are **untreated** and have a dark gray, steel-like color.

This version is often used in interior applications where an industrial look is desired. When used in outdoor environments, the couplings form a natural rust layer, creating a characteristic Corten steel look. The natural version is also suitable for powder coating in any desired color, depending on the application and desired finish. For outdoor applications where corrosion resistance is required, the use of galvanized or powder-coated couplings is recommended.

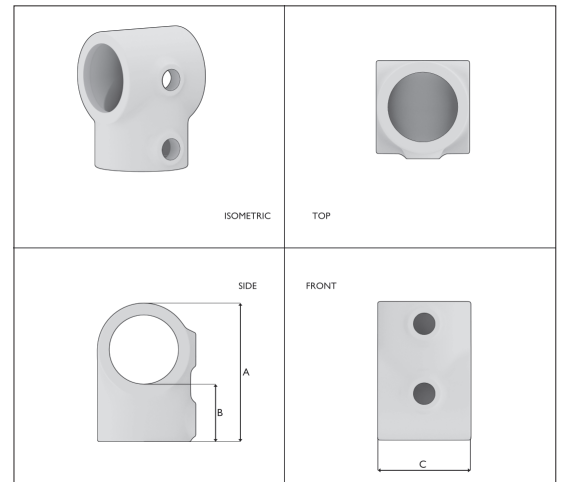


TYPE 2 NATURAL | SHORT TEE

Provides a perpendicular connection between two tubes. Top fitting or straight and level railing uprights. This fitting cannot be used to join horizontal tube within the fitting.



Type	Int.Code	Size	A	B	C	BSP	Weight
6080N02B	I01-A27	26,9mm (3/4")	60	29	37	1/4"	0,20 kg
6080N02C	I01-B34	33,7mm (1")	69	28	47	1/4"	0,30 kg
6080N02D	I01-C42	42,4mm (1 1/4")	87	37	55	3/8"	0,44 kg

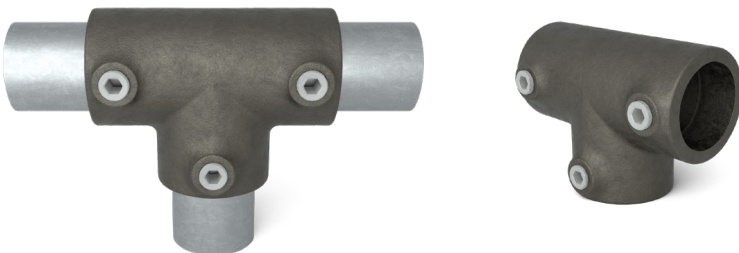


Number of items per box:

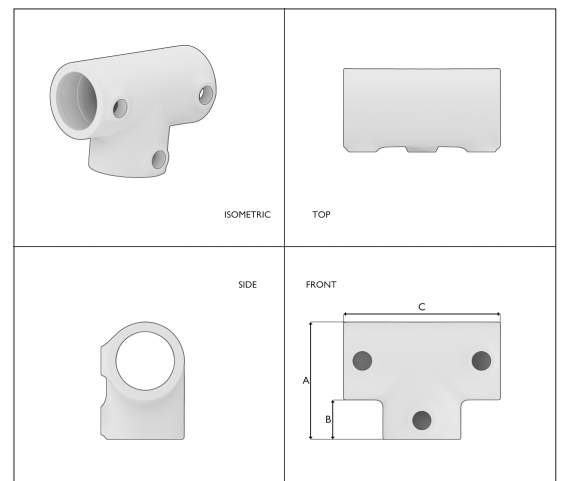
6080N02B: 100 - 6080N02C: 55 - 6080N02D: 30

TYPE 4 NATURAL | THREE SOCKET TEE

Similar to Type 2. This fitting can be used where a join is require in the horizontal tube.



Type	Int.Code	Size	A	B	C	BSP	Weight
6080N04B	I04-A27	26,9mm (3/4")	60	23	82	1/4"	0,33 kg
6080N04C	I04-B34	33,7mm (1")	64	23	92	1/4"	0,46 kg
6080N04D	I04-C42	42,4mm (1 1/4")	87	33	120	3/8"	0,76 kg

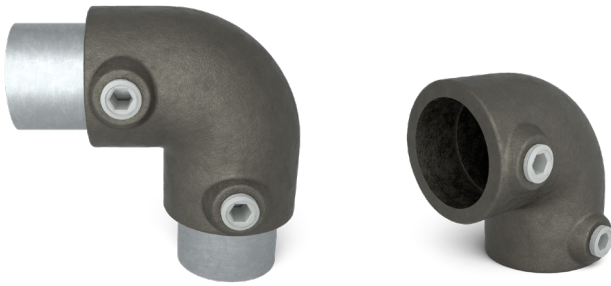


Number of items per box:

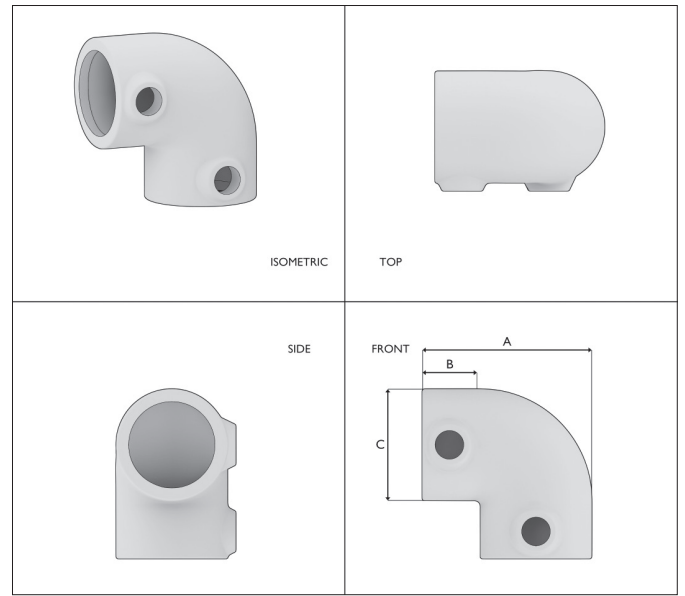
6080N04B: 50 - 6080N04C: 35 - 6080N04D: 20

TYPE 6 NATURAL | ELBOW 90°

Elbow joint fitting (90°) used as an end fitting the top rail.



Type	Int.Code	Size	A	B	C	BSP	Weight
6080N06B	125-A27	26,9mm (3/4")	60	22	37	1/4"	0,20 kg
6080N06C	125-B34	33,7mm (1")	69	22	45	1/4"	0,30 kg
6080N06D	125-C42	42,4mm (1 1/4")	87	32	55	3/8"	0,44 kg



Number of items per box:

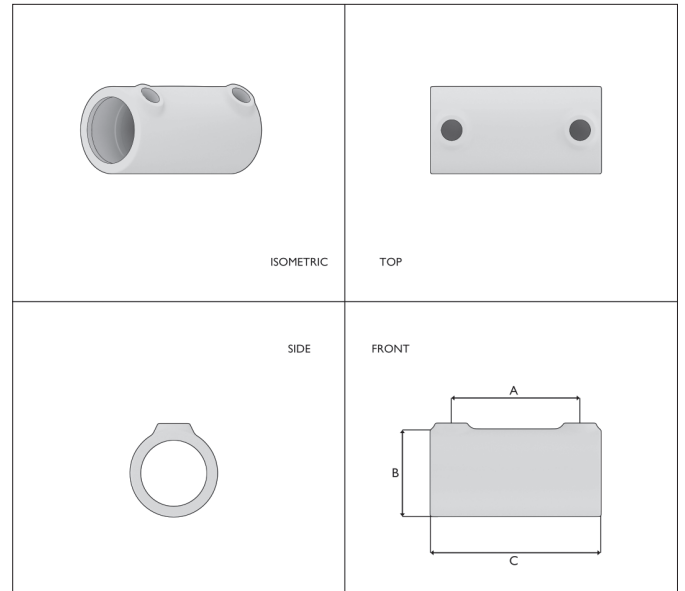
6080N06B: 80 - 6080N06C: 55 - 6080N06D: 30

TYPE 8 NATURAL | STRAIGHT COUPLING

Joint clamp for tubes of the same diameter. Do not use for heavy vertical loads. Alternative clamp is Type 9 used as an internal spigot.



Type	Int.Code	Size	A	B	C	BSP	Weight
6080N08B	149-A27	26,9mm (3/4")	54	37	76	1/4"	0,22 kg
6080N08C	149-B34	33,7mm (1")	67	46	89	1/4"	0,38 kg
6080N08D	149-C42	42,4mm (1 1/4")	74	55	102	3/8"	0,52 kg

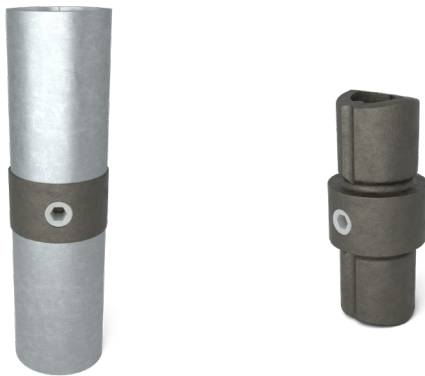


Number of items per box:

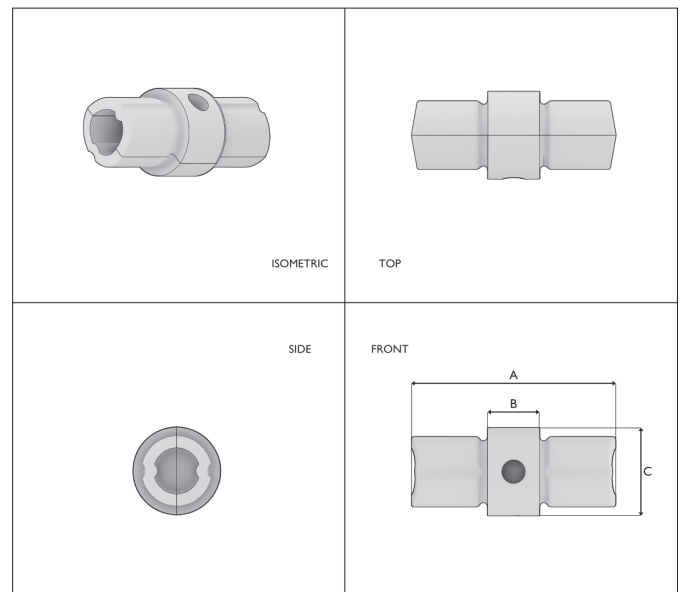
6080N08B: 50 - 6080N08C: 45 - 6080N08D: 35

TYPE 9 NATURAL | INTERNAL COUPLING (SET)

A streamlined flush joint in to tubes of the same size. Wall thickness must be 3.2 mm. Do not apply direct loads to this joint.



Type	Int.Code	Size	A	B	C	BSP	Weight
6080N09B	150-A27	26,9mm (3/4")	76	22	26	1/4"	0,11 kg
6080N09C	150-B34	33,7mm (1")	75	19	26	1/4"	0,21 kg
6080N09D	150-C42	42,4mm (1 1/4")	75	19	35	3/8"	0,34 kg

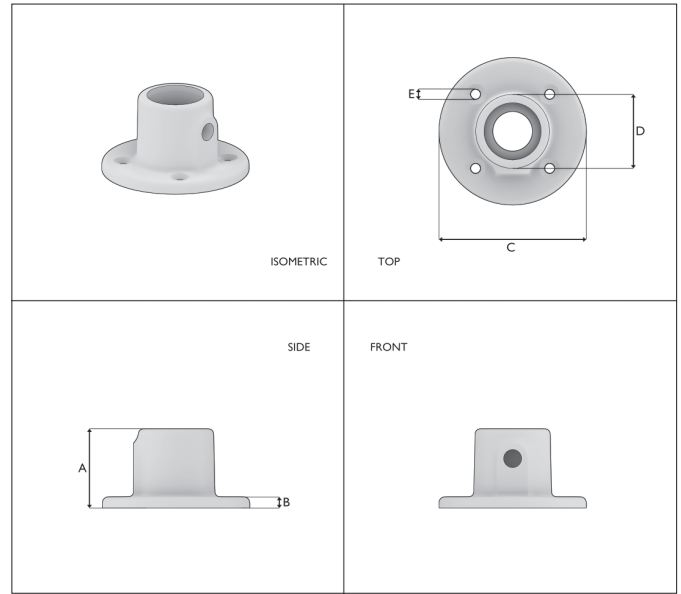


Number of items per box:

6080N09B: 130 - 6080N09C: 90 - 6080N09D: 70

TYPE 10 NATURAL | FLANGE

This clamp is used on structures where positional fixing is required.



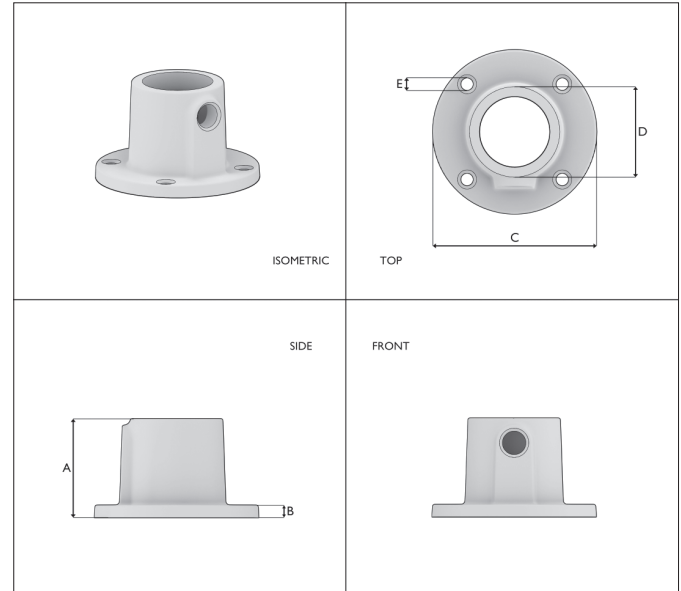
Type	Int.Code	Size	A	B	C	D	E	BSP	Weight
6080N10B	I31-A27	26,9mm (3/4")	40	7	80	38	6,5	1/4"	0,27 kg
6080N10C	I31-B34	33,7mm (1")	48	7	90	46	6,5	1/4"	0,42 kg
6080N10D	I31-C42	42,4mm (1 1/4")	51	7	102	54	6,5	3/8"	0,43 kg

Number of items per box:

6080N10TB: 55 - 6080N10TC: 40 - 6080N10TD: 30

TYPE 10T NATURAL | ROUND BASE PLATE OPEN

This tubefitting is suitable for constructions where the tube has to run through. Suitable for the use of e.g. intermediate shelves.



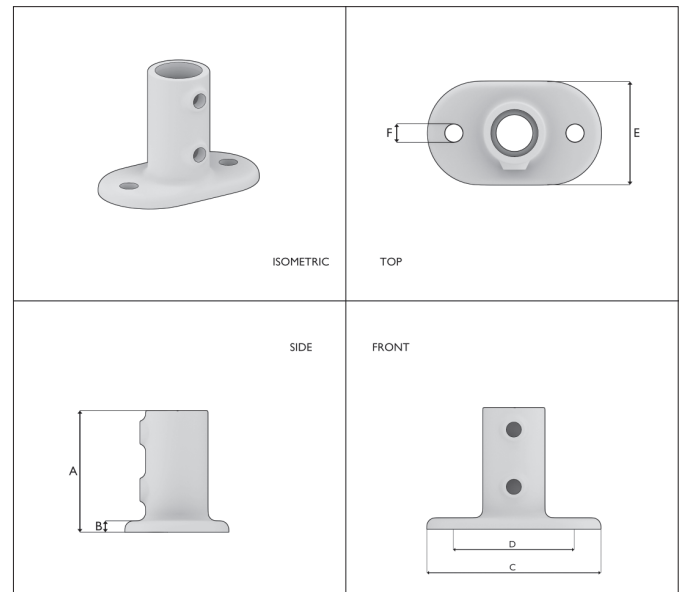
Type	Int.Code	Size	A	B	C	D	E	BSP	Weight
6080N10TB	I31TX-A27	26,9mm (3/4")	42	4	70	38	6,1	1/4"	0,23 kg
6080N10TC	I31TX-B34	33,7mm (1")	48	6	80	46	6,5	1/4"	0,42 kg
6080N10TD	I31TX-C42	42,4mm (1 1/4")	55	6	100	53	6,5	3/8"	0,51 kg

Number of items per box:

6080N10TB: 70 - 6080N10TC: 50 - 6080N10TD: 25

TYPE 12 NATURAL | RAILING BASE FLANGE

Strong baseplate to support vertical post. Vertical wide rib with two setscrews increases the strength of the clamp. The fixing holes in the base flange should be in line with the applied load.



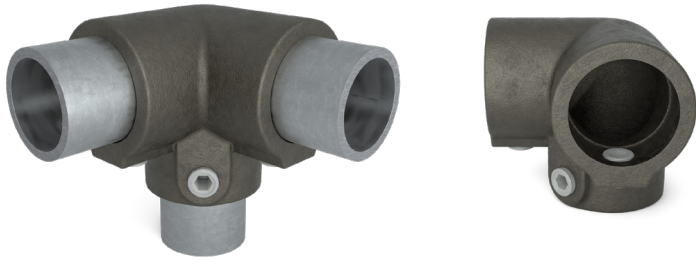
Type	Int.Code	Size	A	B	C	D	E	F	BSP	Weight
6080N12B	I32-A27	26,9mm (3/4")	76	8	116	76	64	11	1/4"	0,60 kg
6080N12C	I32-B34	33,7mm (1")	89	8	128	89	76	14	1/4"	0,81 kg
6080N12D	I32-C42	42,4mm (1 1/4")	89	10	140	102	75	14	3/8"	1,02 kg

Number of items per box:

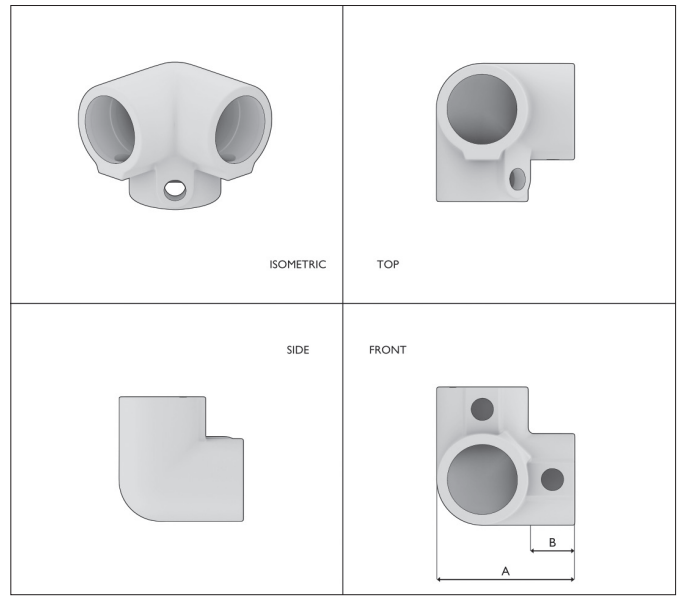
6080N12B: 30 - 6080N12C: 20 - 6080N12D: 20

TYPE 18 NATURAL | THREE WAY TOP CORNER 90°

Corner joint (90°) clamp used for top rail corners and any other rectangular system.



Type	Int.Code	Size	A	B	BSP	Weight
6080N18B	128-A27	26,9mm (3/4")	60	21	1/4"	0,38 kg
6080N18C	128-B34	33,7mm (1")	69	22	1/4"	0,46 kg
6080N18D	128-C42	42,4mm (1 1/4")	87	28	3/8"	0,87 kg

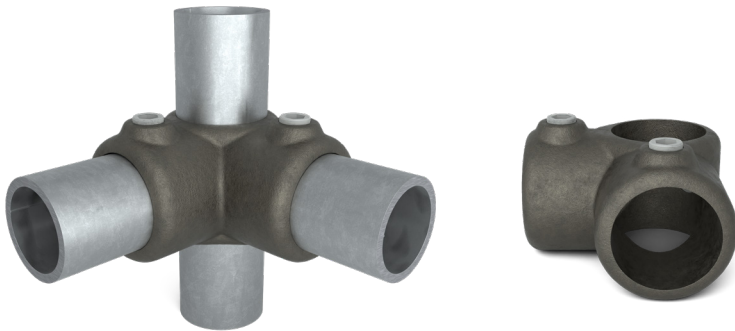


Number of items per box:

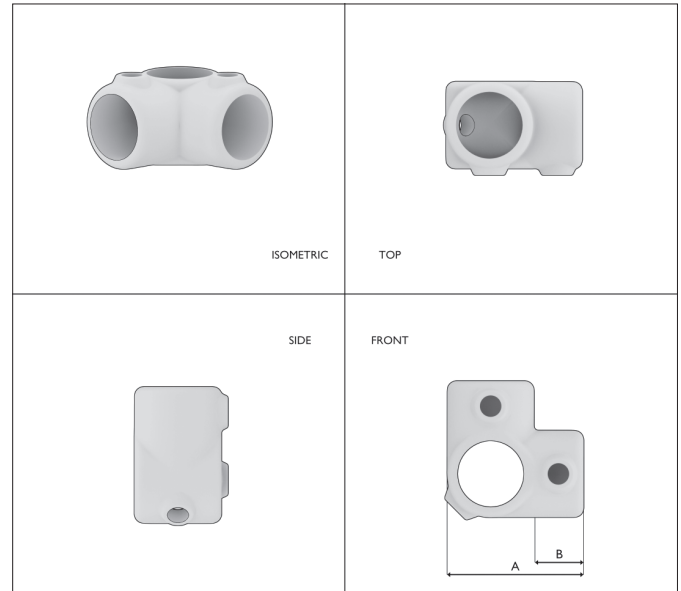
6080N18B: 60 - 6080N18C: 30 - 6080N18D: 15

TYPE 20 NATURAL | CORNER WITH THROUGH TUBE

Often used on intermediate rail corners to match Type 18, tube passes through the clamp.



Type	Int.Code	Size	A	B	BSP	Weight
6080N20B	116-A27	26,9mm (3/4")	60	22	1/4"	0,27 kg
6080N20C	116-B34	33,7mm (1")	69	22	1/4"	0,39 kg
6080N20D	116-C42	42,4mm (1 1/4")	87	32	3/8"	0,58 kg

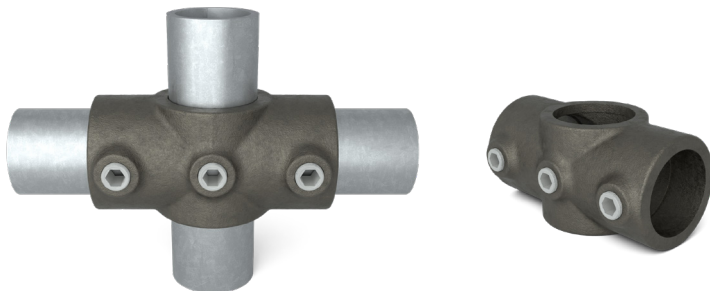


Number of items per box:

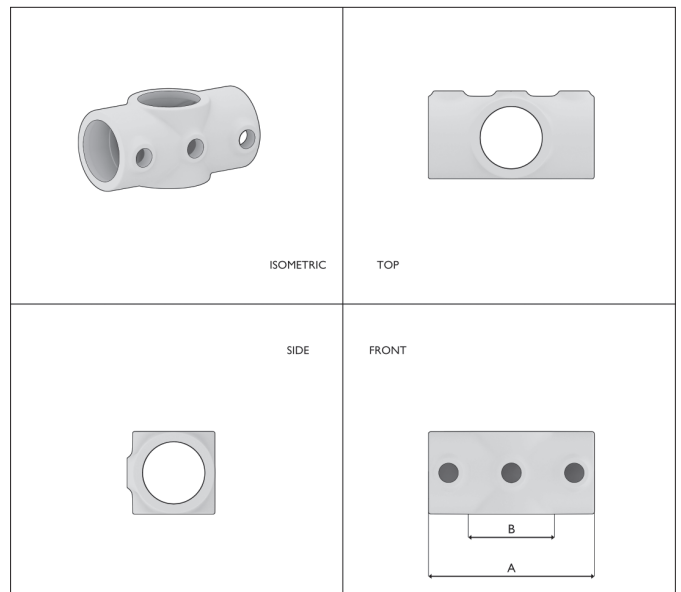
6080N20B: 65 - 6080N20C: 35 - 6080N20D: 30

TYPE 22 NATURAL | TWO SOCKET CROSS

90° joint clamp between the middle rail and an upright on railings.



Type	Int.Code	Size	A	B	BSP	Weight
6080N22B	119-A27	26,9mm (3/4")	81	35	1/4"	0,26 kg
6080N22C	119-B34	33,7mm (1")	92	48	1/4"	0,38 kg
6080N22D	119-C42	42,4mm (1 1/4")	120	58	3/8"	0,62 kg

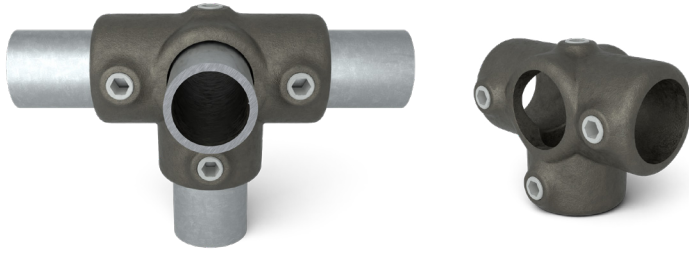


Number of items per box:

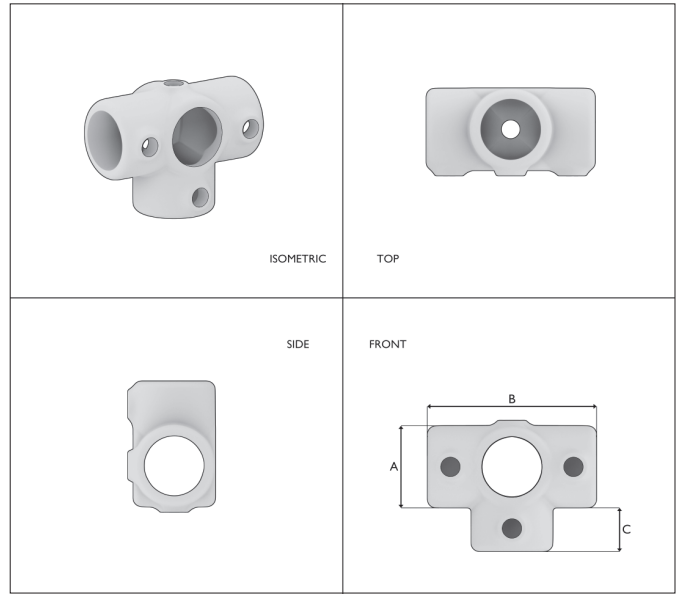
6080N22B: 70 - 6080N22C: 50 - 6080N22D: 30

TYPE 24 NATURAL | SIDE OUTLET TEE

3-direction clamp used to fix uprights with 3 horizontal tubes that are perpendicular to each other. Upright tube passes through the clamp.



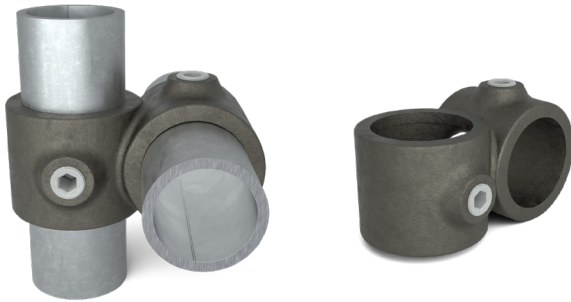
Type	Int.Code	Size	A	B	C	BSP	Weight
6080N24B	176-A27	26,9mm (1/4")	37	82	21	1/4"	0,36 kg
6080N24C	176-B34	33,7mm (1")	46	92	23	1/4"	0,48 kg
6080N24D	176-C42	42,4mm (1 1/4")	55	120	30	3/8"	0,79 kg



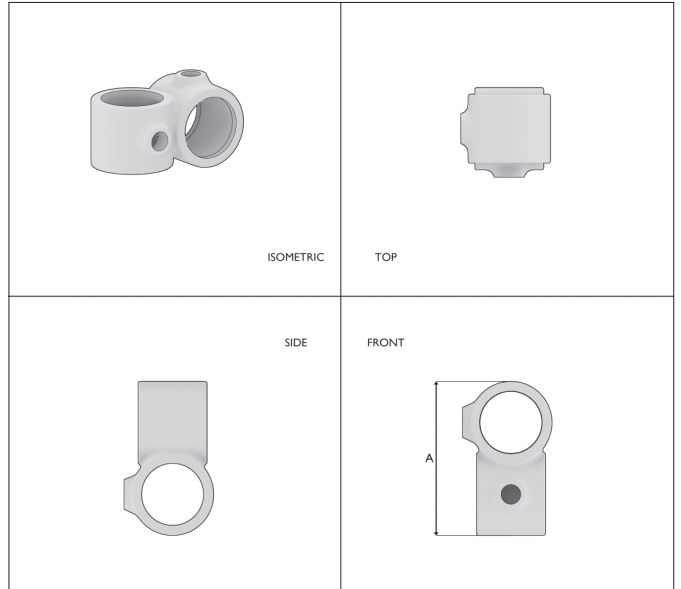
Number of items per box:
6080N24B: 50 - 6080N24C: 35 - 6080N24D: 20

TYPE 28 NATURAL | CROSSOVER 90°

Crossover clamp (90°). Used for long tube intersections with uprights where decreasing cutting cost and increasing strength of the system with continuity of the tube is desired.



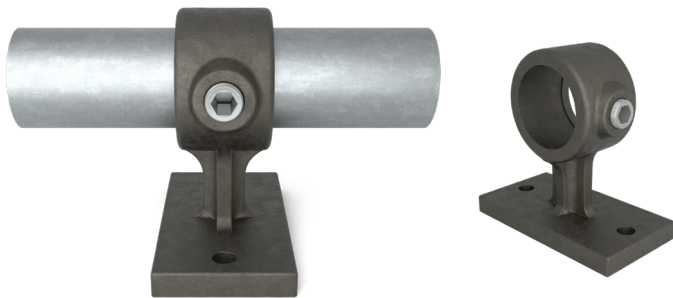
Type	Int.Code	Size	A	BSP	Weight
6080N28B	161-A27	26,9mm (3/4")	71	1/4"	0,20 kg
6080N28C	161-B34	33,7mm (1")	86	1/4"	0,31 kg
6080N28D	161-C42	42,4mm (1 1/4")	110	3/8"	0,49 kg



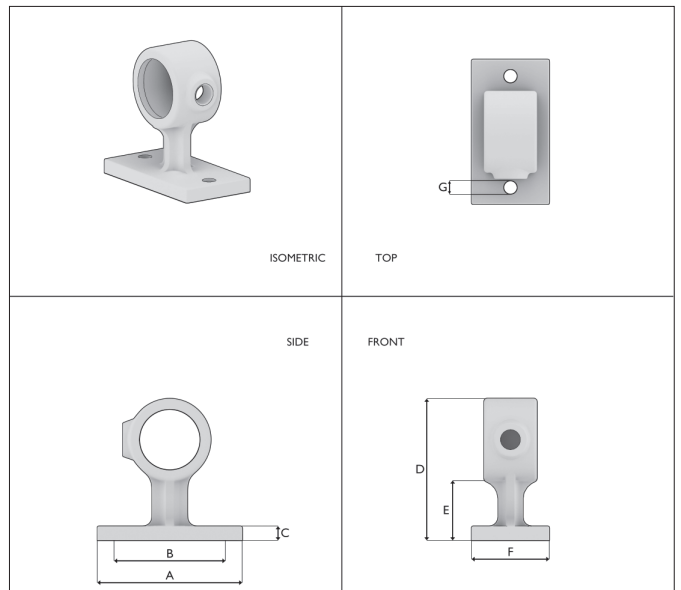
Number of items per box:
6080N28B: 80 - 6080N28C: 60 - 6080N28D: 40

TYPE 34 NATURAL | HANDRAIL SUPPORT

For fixing handrails and structures to walls.



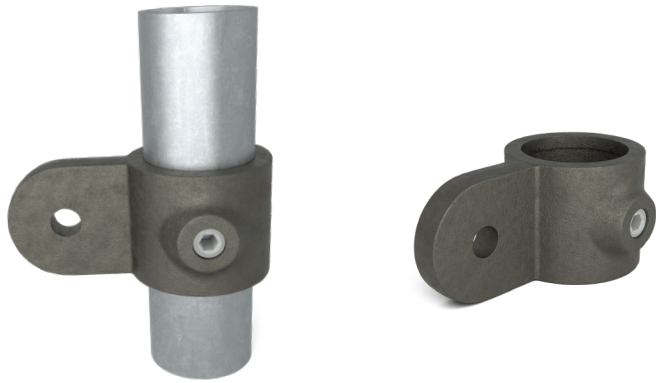
Type	Int.Code	Size	A	B	C	D	E	F	G	BSP	Weight
6080Z34B	143W-A27	26,9mm (3/4")	76	57	7	72	36	46	8	1/4"	0,38 kg
6080Z34C	143W-B34	33,7mm (1")	82	63	8	80	34	44	8	1/4"	0,41 kg
6080Z34D	143W-C42	42,4mm (1 1/4")	102	76	8	91	36	44	10	3/8"	0,65 kg



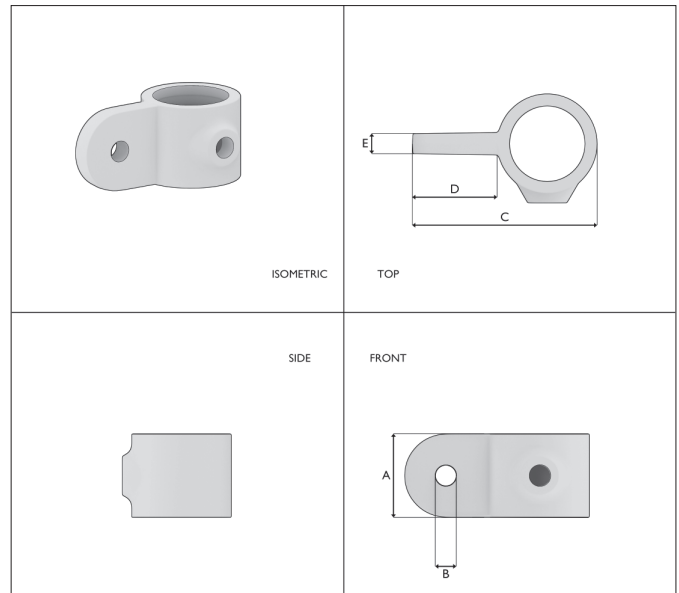
Number of items per box:
6080N34B: 50 - 6080N34C: 45 - 6080N34D: 40

TYPE 36 NATURAL | MALE SINGLE LUG

Used with Type 42 for swivel fittings, also used for fixing panels and boards.



Type	Int.Code	Size	A	B	C	D	E	BSP	Weight
6080N36B	173M-A27	26,9mm (3/4")	38	10	77	39	10	1/4"	0,22 kg
6080N36C	173M-B34	33,7mm (1")	38	10	85	39	10	1/4"	0,25 kg
6080N36D	173M-C42	42,4mm (1 1/4")	38	10	94	40	10	3/8"	0,33 kg



Number of items per box:

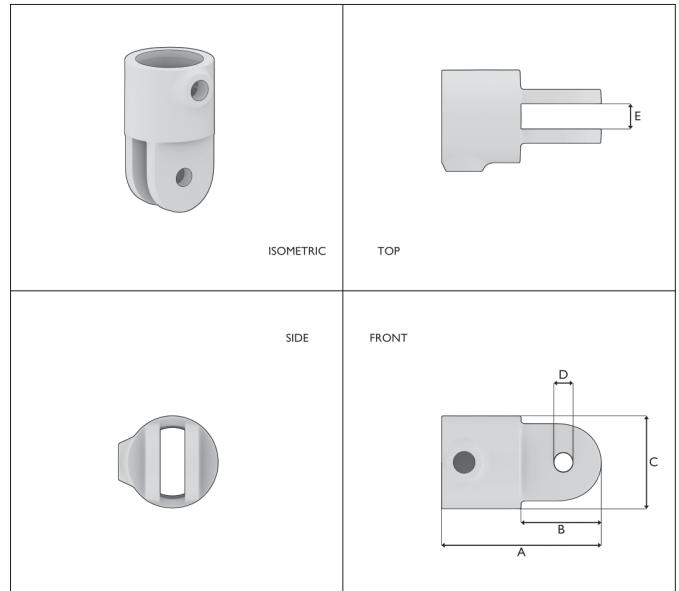
6080N36B: 120 - 6080N36C: 100 - 6080N36D: 80

TYPE 42 NATURAL | FEMALE SINGLE SOCKET

One part of swivel fitting, not generally used alone, combination for example Type 36.



Type	Int.Code	Size	A	B	C	D	E	BSP	Weight
6080N42B	173F-A27	26,9mm (3/4")	79	40	37	10	13	1/4"	0,26 kg
6080N42C	173F-B34	33,7mm (1")	79	40	46	10	13	1/4"	0,31 kg
6080N42D	173F-C42	42,4mm (1 1/4")	78	40	54	10	13	3/8"	0,41 kg



Number of items per box:

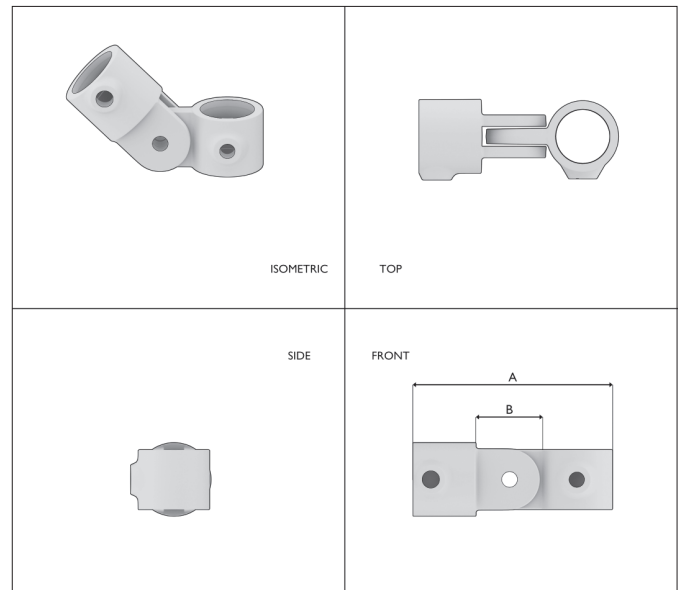
6080N42B: 80 - 6080N42C: 60 - 6080N42D: 40

TYPE 44 NATURAL | SINGLE SWIVEL

Swivel fitting for variable angle fixing.



Type	Int.Code	Size	A	B	BSP	Weight
6080N44B	173-A27	26,9mm (3/4")	117	42	1/4"	0,48 kg
6080N44C	173-B34	33,7mm (1")	124	42	1/4"	0,56 kg
6080N44D	173-C42	42,4mm (1 1/4")	143	42	3/8"	0,74 kg

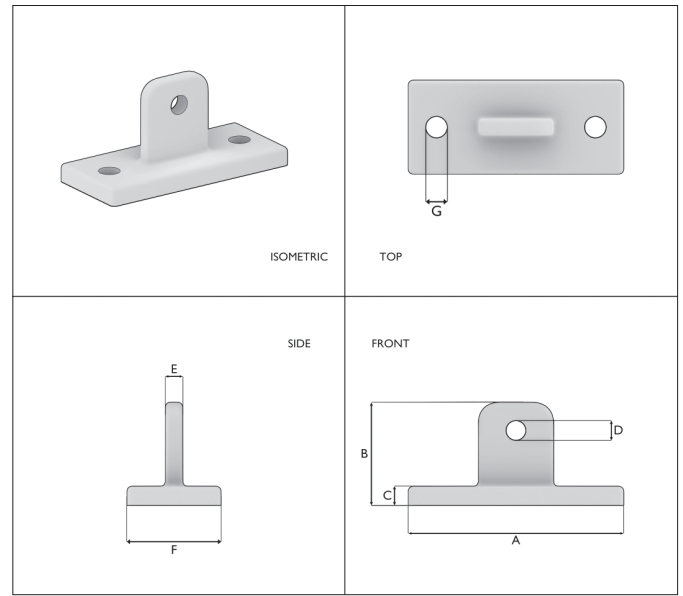
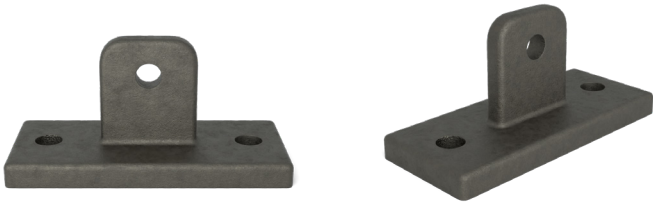


Number of items per box:

6080N44B: 40 - 6080N44C: 40 - 6080N44D: 35

TYPE 50 NATURAL | SWIVEL BASE PLATE

For fixing structures to wall or floor, usually used with Type 42.

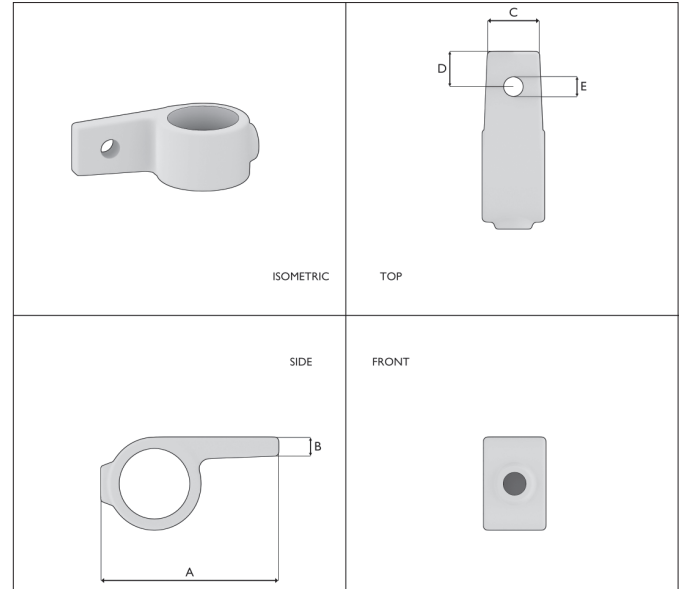
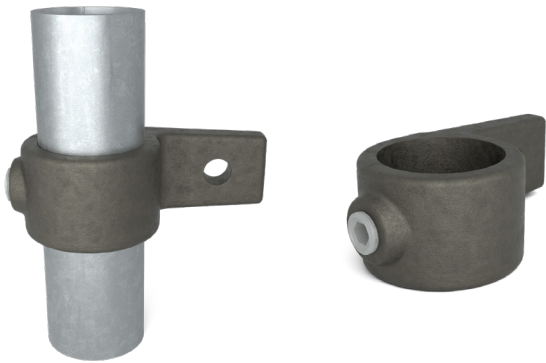


Type	Int.Code	Size	A	B	C	D	E	F	G	Weight
6080N50	169M	One size	115	55	10	11	9	50	12	0,36 kg

Number of items per box:
6080N50: 50

TYPE 55 NATURAL | COLLAR PLATE SINGLE SIDE

Fitting for panel fixing.

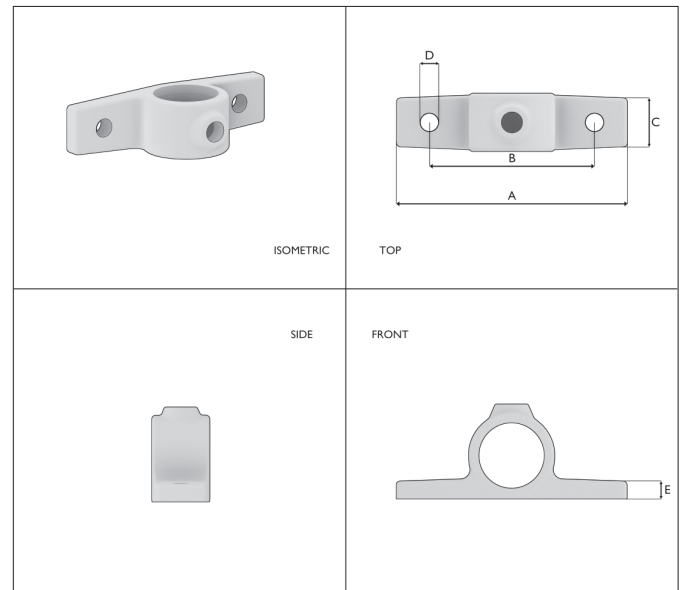


Type	Int.Code	Size	A	B	C	D	E	BSP	Weight
6080N55B	199-A27	26,9mm (3/4")	78	8	20	17	10	1/4"	0,15 kg
6080N55C	199-B34	33,7mm (1")	86	9	25	17	10	1/4"	0,22 kg
6080N55D	199-C42	42,4mm (1 1/4")	96	9	30	17	10	3/8"	0,32 kg

Number of items per box:
6080N55B: 130 - 6080N55C: 90 - 6080N55D: 60

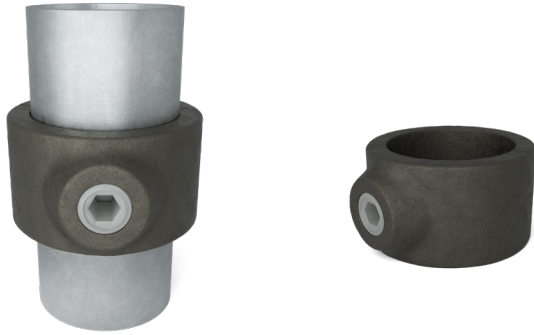
TYPE 56 NATURAL | COLLAR PLATE DOUBLE SIDE

Panel fixing with two lugs also used for locking gates.

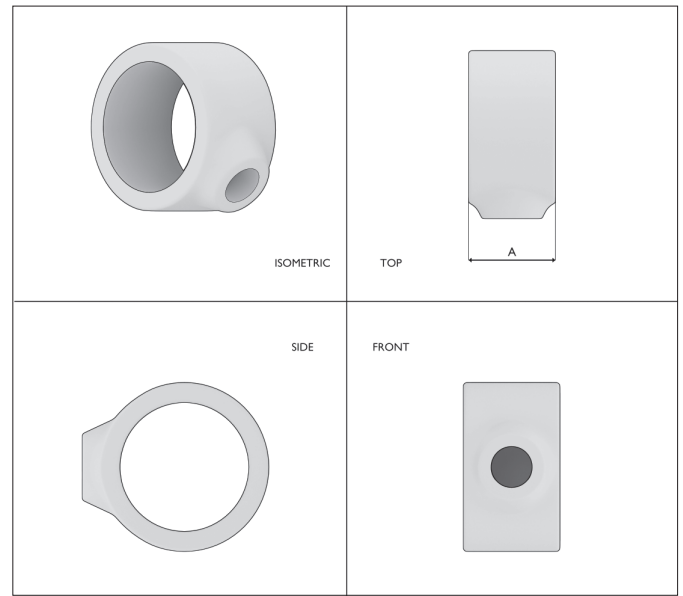


Type	Int.Code	Size	A	B	C	D	E	BSP	Weight
6080N56B	198-A27	26,9mm (3/4")	110	76	25	10	8	1/4"	0,25 kg
6080N56C	198-B34	33,7mm (1")	120	86	25	10	9	1/4"	0,33 kg
6080N56D	198-C42	42,4mm (1 1/4")	130	96	30	10	9	3/8"	0,45 kg

Number of items per box:
6080N56B: 80 - 6080N56C: 70 - 6080N56D: 40



Type	Int.Code	Size	A	BSP	Weight
6080N60B	179-A27	26,9mm (3/4")	25	1/4"	0,09 kg
6080N60C	179-B34	33,7mm (1")	25	1/4"	0,12 kg
6080N60D	179-C42	42,4mm (1 1/4")	25	3/8"	0,14 kg

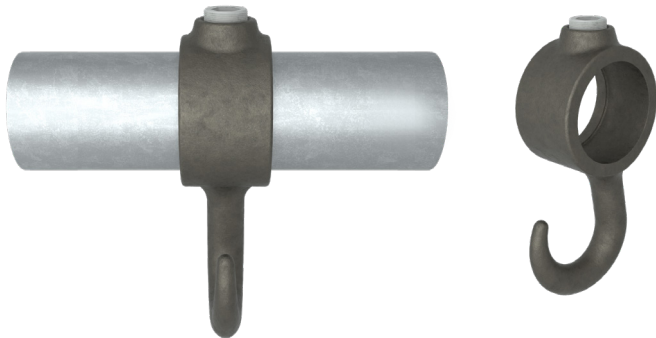


Number of items per box:

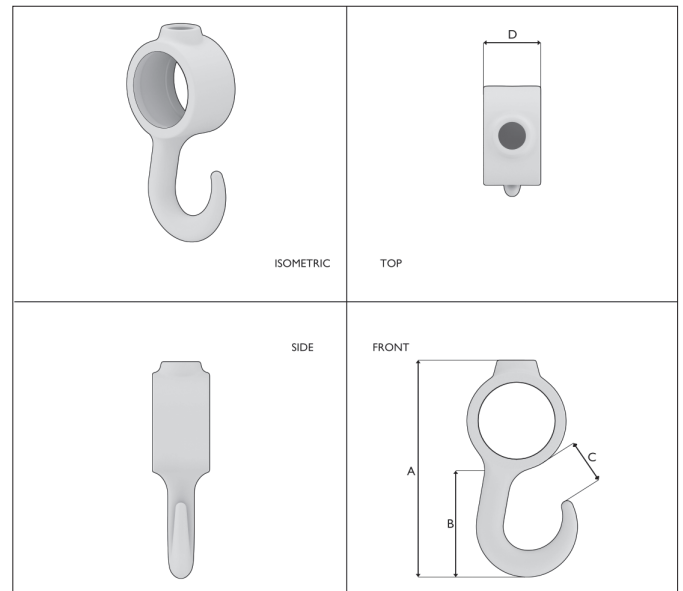
6080N60B: 200 - 6080N60C: 160 - 6080N60D: 120

TYPE 64 NATURAL | COAT HOOK

Hook 90°. suited for making coat hangers and the like.



Type	Int.Code	Size	A	B	C	D	BSP	Weight
6080Z64B	182T-A27	26,9mm (3/4")	90	47	20	26	1/4"	0,15 kg
6080Z64C	182T-B34	33,7mm (1")	98	48	20	26	1/4"	0,22 kg
6080Z64D	182T-C42	42,4mm (1 1/4")	108	49	20	26	3/8"	0,32 kg



Number of items per box:

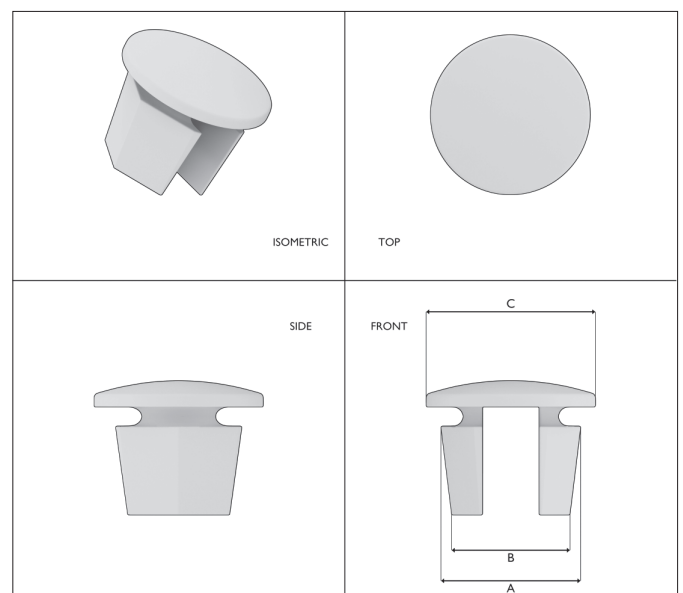
6080N64B: 160 - 6080N64C: 160 - 6080N64D: 120

TYPE 73 NATURAL | METAL PLUG

Metal cap used to plug the end of the tube.



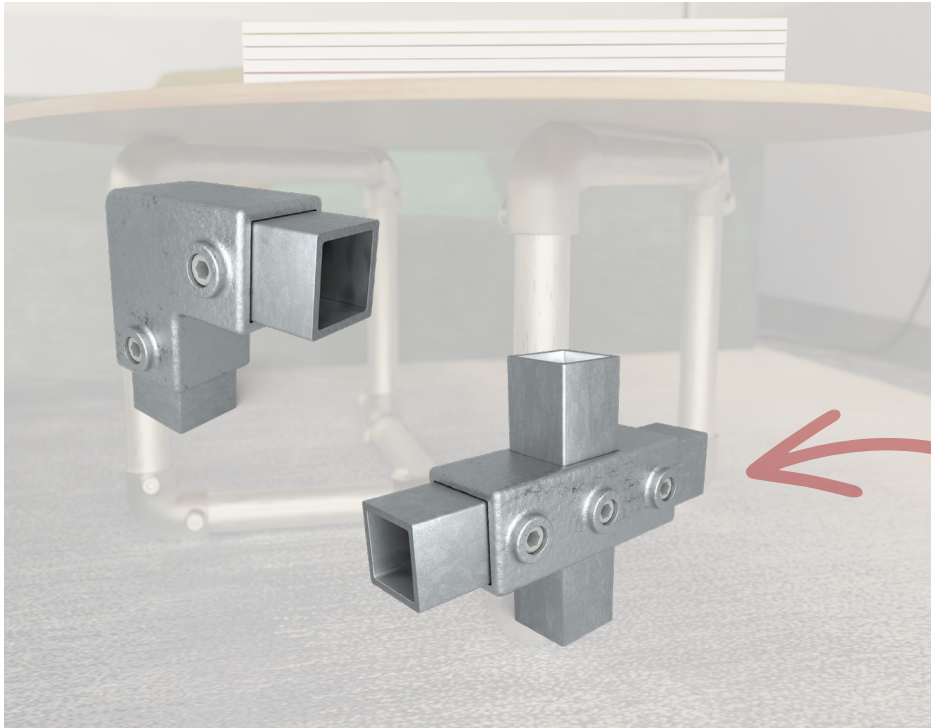
Type	Int.Code	Size	A	B	C	Weight
6080N73B	184-A27	26,9mm (3/4")	22	19	27	0,04 kg
6080N73C	184-B34	33,7mm (1")	29	24	35	0,06 kg
6080N73D	184-C42	42,4mm (1 1/4")	36	26	43	0,10 kg



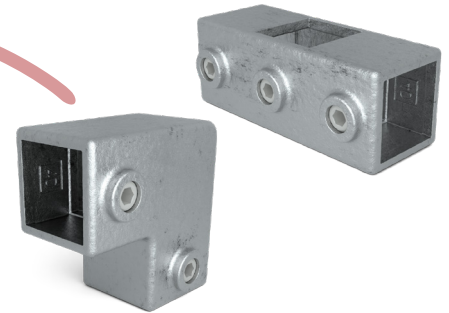
Number of items per box:

6080N73B: 400 - 6080N73C: 300 - 6080N73D: 150
6080N73C-L: 300 - 6080N73D-L: 150

SQUARE tube fittings

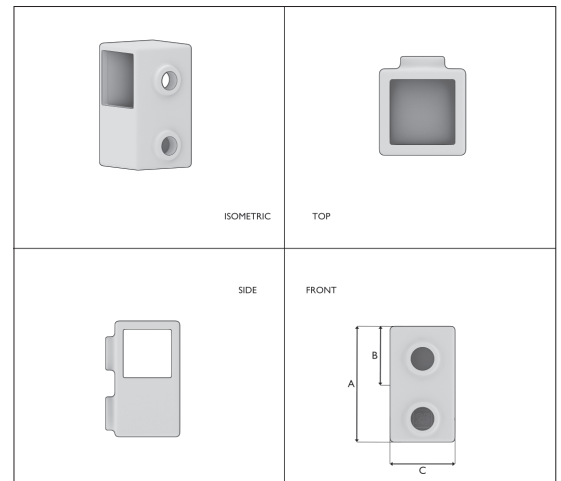
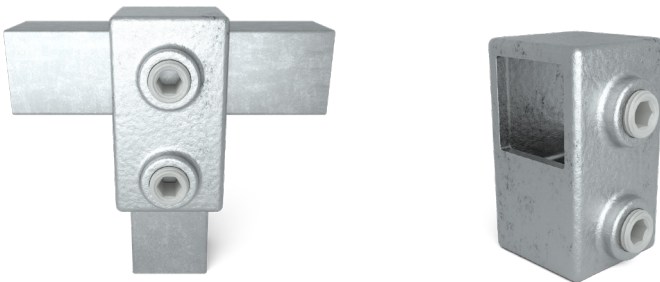


Square tube fittings offer increased resistance to lateral forces, making them particularly suitable for structural applications such as fencing and support structures. In addition, the square shape creates a sleek, modern look, which is why these connectors are also widely used in interior design and stand construction. The square tube fittings are also available in black for a contemporary and stylish finish.



TYPE 2S | SHORT T-PIECE

Forms a perpendicular connection between two tubes. Upper fitting for straight, horizontal railing supports. This fitting can not be used for horizontal tube connections in the fitting itself.

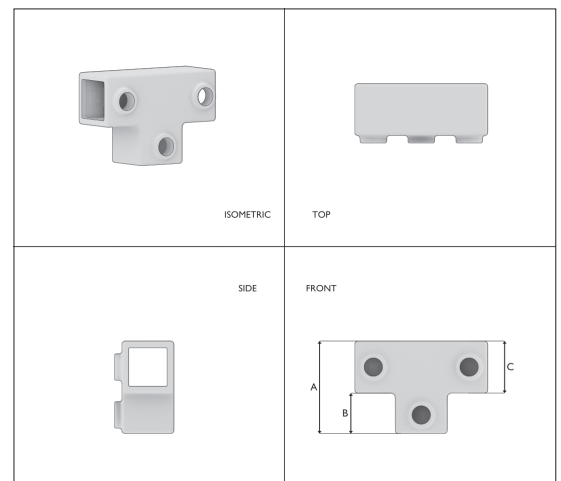
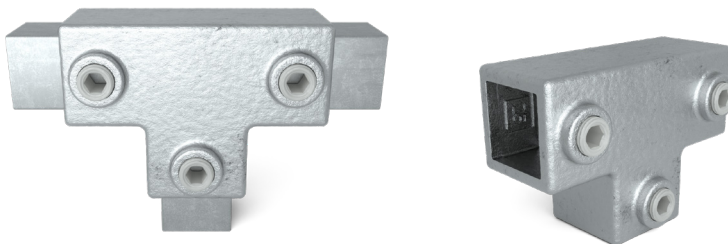


Type	Int.Code	Size	A	B	C	BSP	Weight
608002S-25	I01-S25	25 mm	62,50	32	35	1/4"	0,23 kg
608002S-40	I01-S40	40 mm	94	47	52	3/8"	0,58 kg

Number of items per box:
608002S-25: **80** - 608002S-40: **30**

TYPE 4S | LONG T-PIECE

This fitting can be used where a join is required in the horizontal tube.

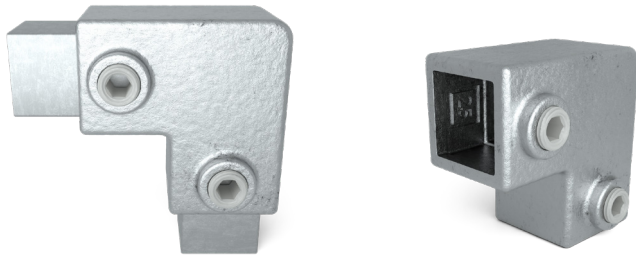


Type	Int.Code	Size	A	B	C	BSP	Weight
608004S-25	I04-S25	25 mm	63	28	27	1/4"	0,45 kg
608004S-40	I04-S40	40 mm	94	52	42	3/8"	0,58 kg

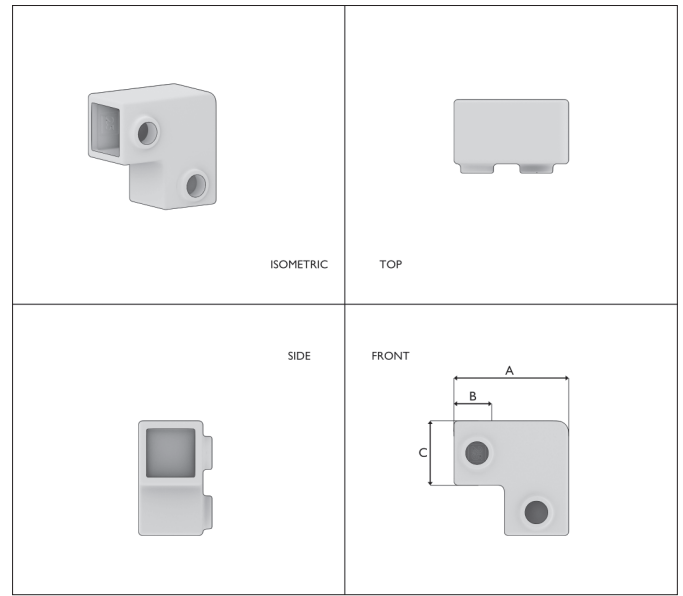
Number of items per box:
608004S-25: **40** - 608004S-40: **12**

TYPE 6S | KNEE PIECE 90°

Elbow fitting (90°) as end stop for the overhead rail.



Type	Int.Code	Size	A	B	C	BSP	Weight
608006S-25	I25-S25	25 mm	63	21	35	1/4"	0,35 kg
608006S-40	I25-S40	40 mm	94	30	52	3/8"	0,82 kg

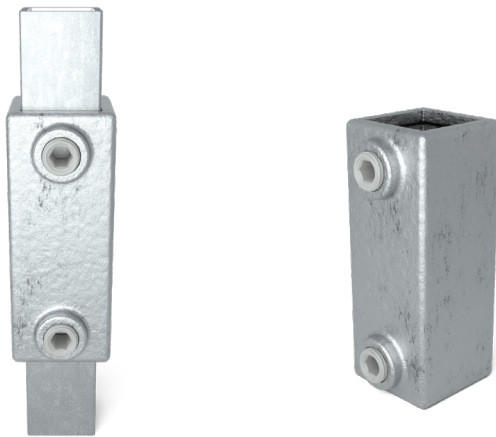


Number of items per box:

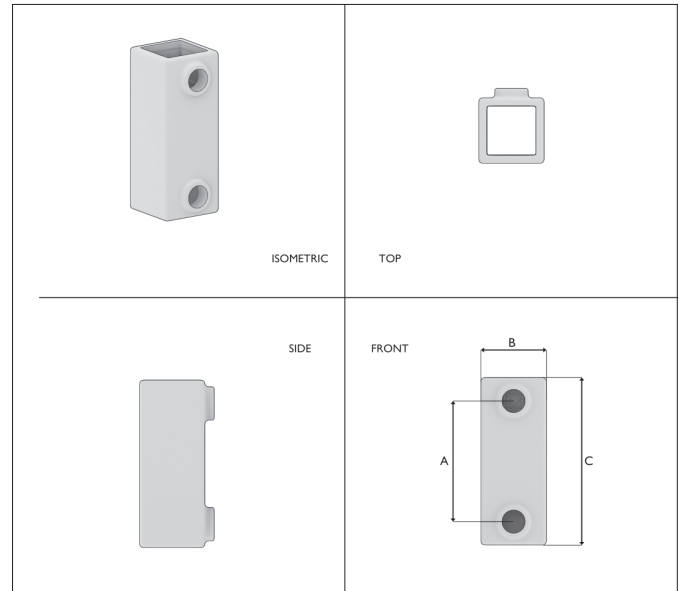
608006S-25: **50** - 608006S-40: **15**

TYPE 8S | STRAIGHT COUPLING

Straight Coupling. Joint clamp for tubes of the same diameter. Do not use for heavy vertical loads. Alternative clamp is Type 9 used as an internal spigot.



Type	Int.Code	Size	A	B	C	BSP	Weight
608008S-25	I49-S25	25 mm	65	35	90	1/4"	0,30 kg
608008S-40	I49-S40	40 mm	90	35	65	3/8"	0,79 kg

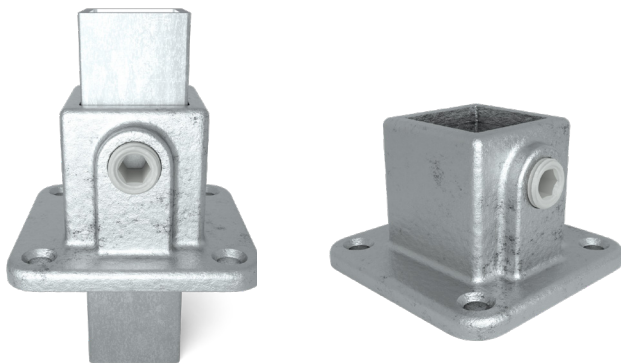


Number of items per box:

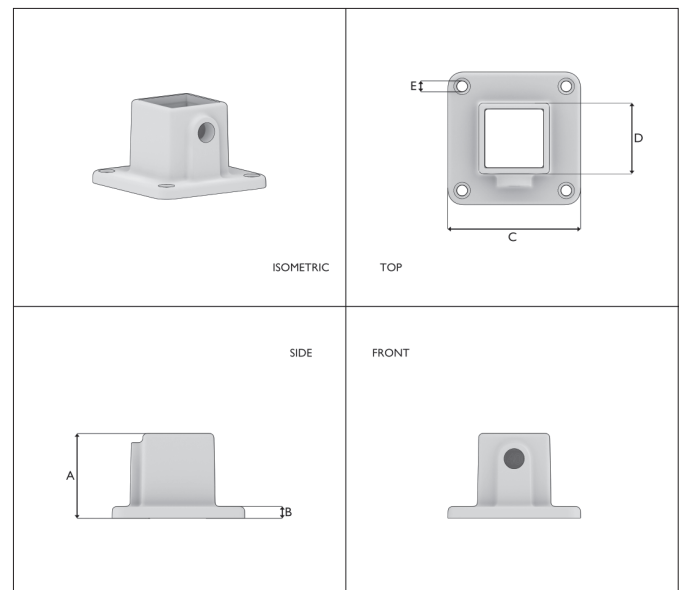
608008S-25: **60** - 608008S-40: **20**

TYPE 10S | SQUARE FOOTPLATE

Use this clamp for positioning constructions. Do not use as a basis for supporting safety railings and the like.



Type	Int.Code	Size	A	B	C	D	E	BSP	Weight
608010S-40	I31-S40	40 mm	60	8	94	52	8	3/8"	1,03 kg

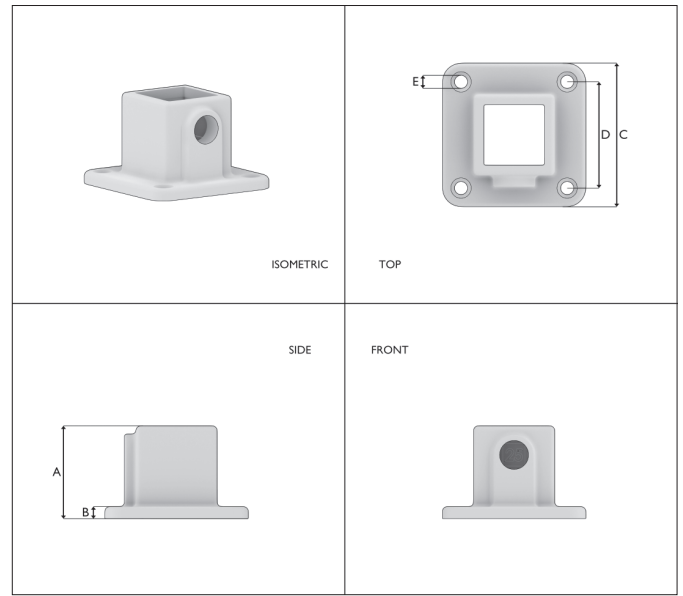
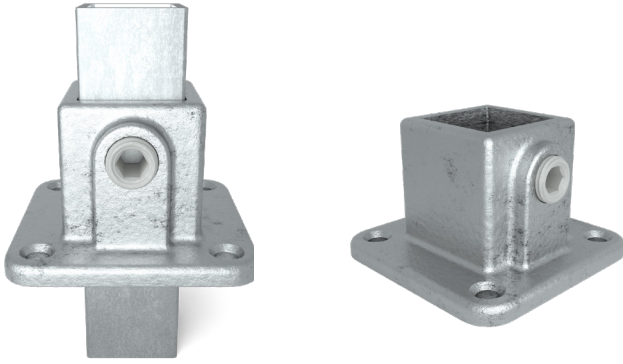


Number of items per box:

608010S-40: **25**

TYPE 11S | SQUARE FOOTPLATE

Use this clamp for positioning constructions. Do not use as a basis for supporting safety railings and the like.

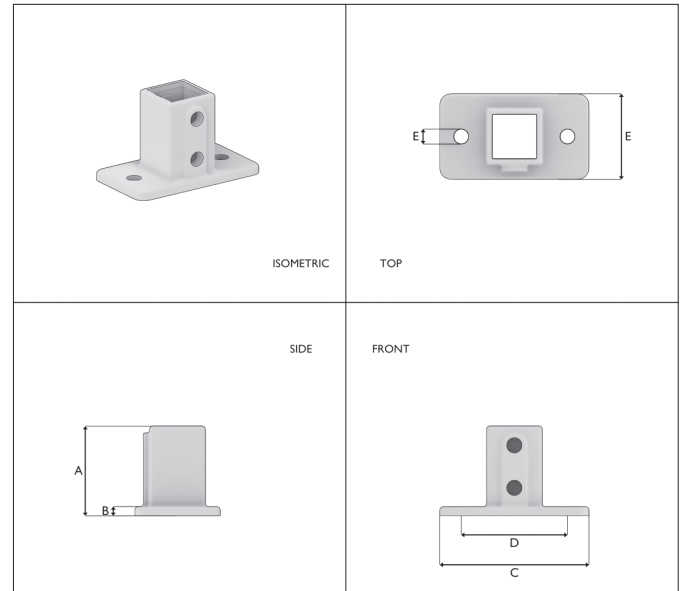
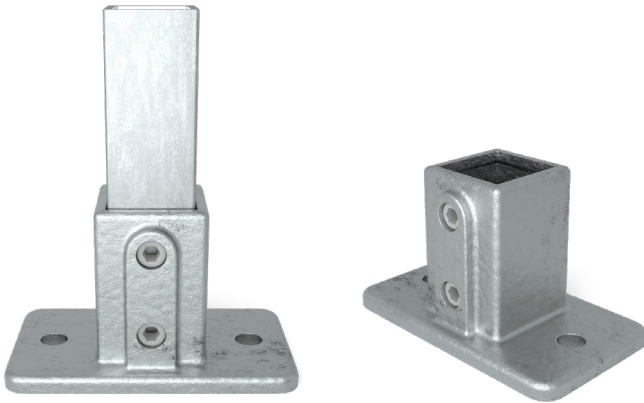


Type	Int.Code	Size	A	B	C	D	E	BSP	Weight
608011S-25	F131-S25	25 mm	40	5	62	47	6	1/4"	0,27 kg

Number of items per box:
608011S-25: **75**

TYPE 12S | RECTANGULAR BASE FLANGE

Rectangular Base Flange. Strong baseplate to support vertical post. Vertical wide rib with two setscrews increases the strength of the clamp. The fixing holes in the base flange should be in line with the applied load.

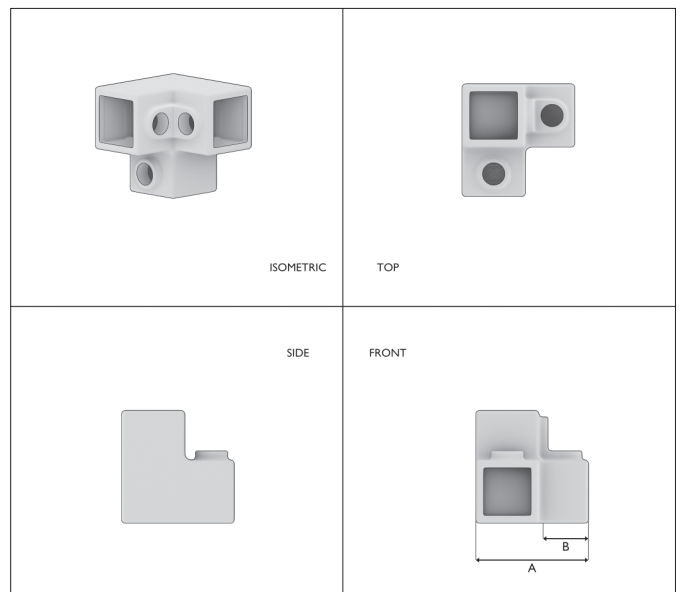
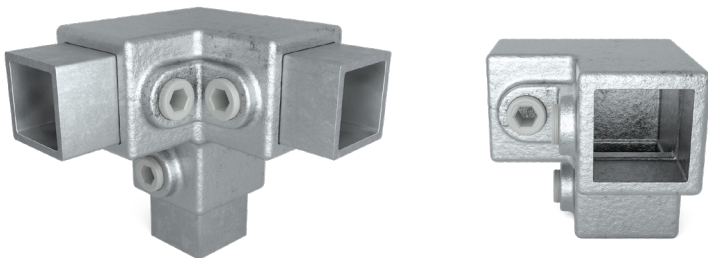


Type	Int.Code	Size	A	B	C	D	E	F	BSP	Weight
608012S-40	132-S40	40 mm	82	8	140	100	14,5	80	3/8"	0,99 kg

Number of items per box:
608012S-40: **15**

TYPE 18S | THREE-WAY ELBOW 90°

Angle connection clamp (90°) for corners of overheads and all other angled connections.

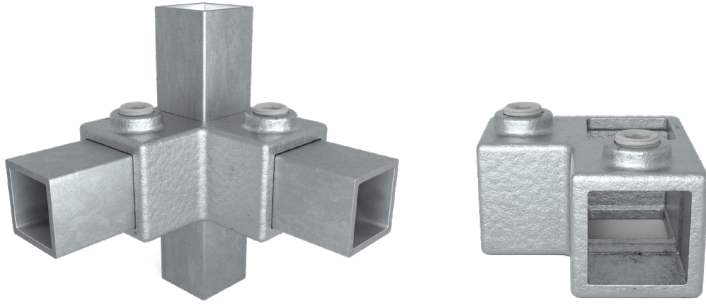


Type	Int.Code	Size	A	B	BSP	Weight
608018S-25	128-S25	25 mm	63	28	1/4"	0,43 kg
608018S-40	128-S40	40 mm	94	42	3/8"	1,06 kg

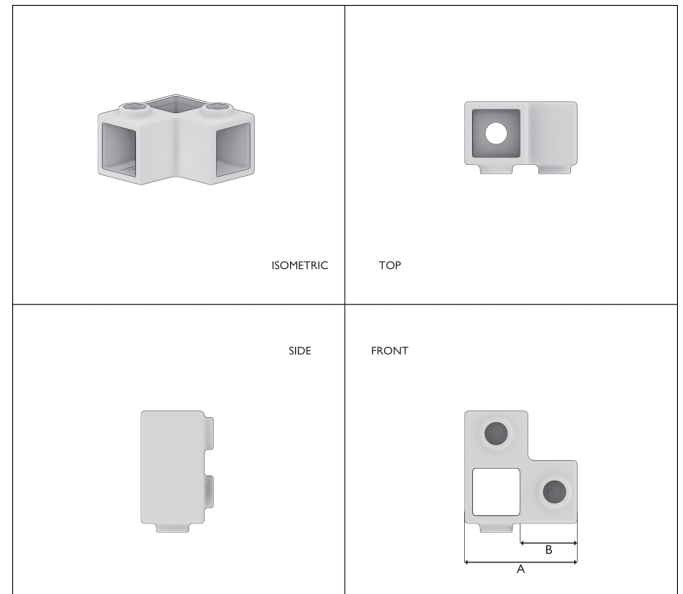
Number of items per box:
608018S-25: **35** - 608018S-40: **10**

TYPE 20S | ANGLE OF CONTINUOUS UPRIGHT

Corner connection (90°), where the vertical tube runs through the clamp.



Type	Int.Code	Size	A	B	BSP	Weight
608020S-25	I16-S25	25 mm	63	28	1/4"	0,32 kg
608020S-40	I16-S40	40 mm	94	42	3/8"	0,69 kg

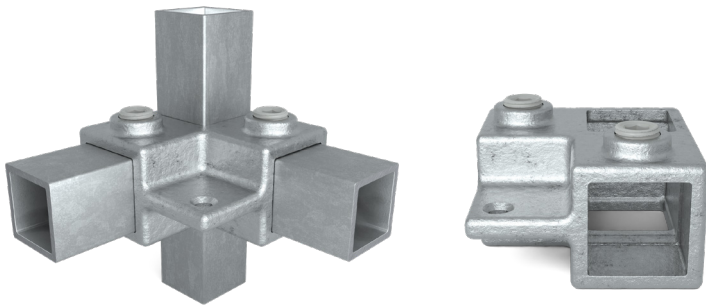


Number of items per box:

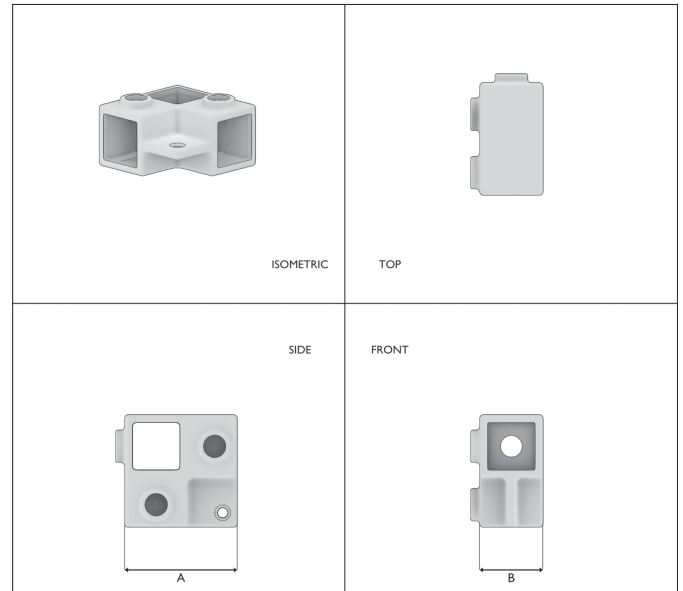
608020S-25: 50 - 608020S-40: 20

TYPE 21S | ANGLE OF CONTINUOUS UPRIGHT WITH LIP

Corner connection (90°), where the vertical tube runs through the clamp.



Type	Int.Code	Size	A	B	BSP	Weight
608021S-25	I16L-S25	25 mm	63	35	1/4"	0,19 kg

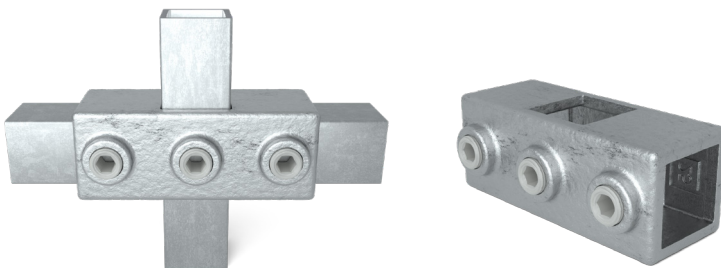


Number of items per box:

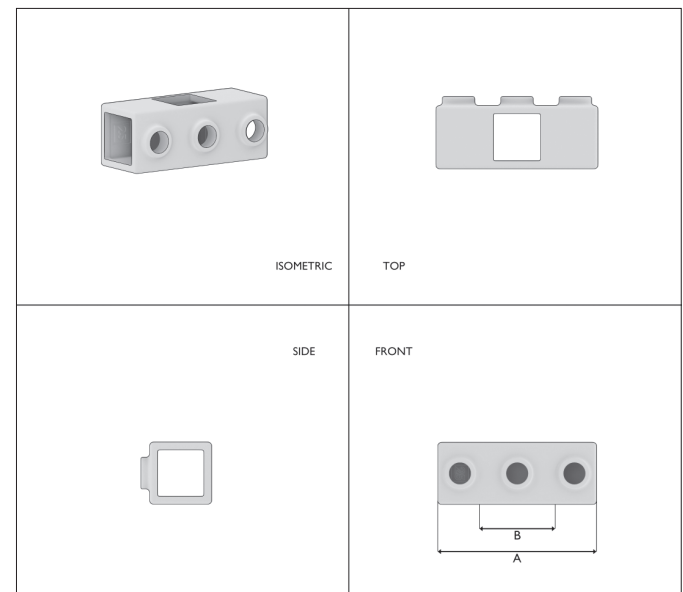
608021S-25: 45

TYPE 22S | TWO SOCKET CROSS

joint clamp between the middle rail and an upright on railings.



Type	Int.Code	Size	A	B	BSP	Weight
608022S-25	I19-S25	25 mm	136	42	1/4"	0,15 kg
608022S-40	I19-S40	40 mm	136	42	3/8"	0,71 kg

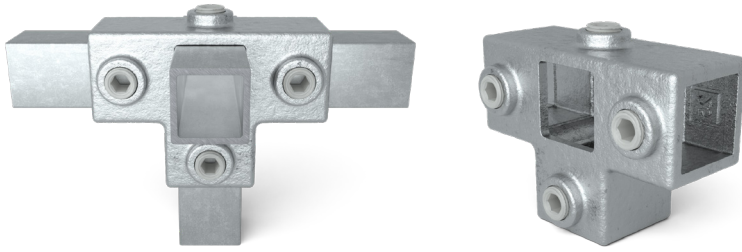


Number of items per box:

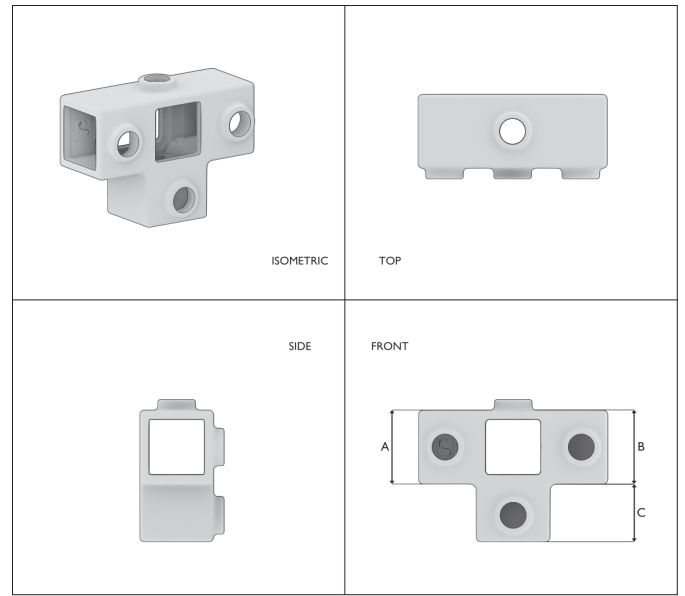
608022S-25: 55 - 608022S-40: 20

TYPE 24S | SIDE OUTLET TEE

3-direction clamp used to fix uprights with 3 horizontal tubes that are perpendicular to each other. Upright tube passes through the clamp.



Type	Int.Code	Size	A	B	C	BSP	Weight
608024S-25	176-S25	25 mm	35	35	28	1/4"	0,38 kg
608024S-40	176-S40	40 mm	52	52	42	3/8"	0,91 kg

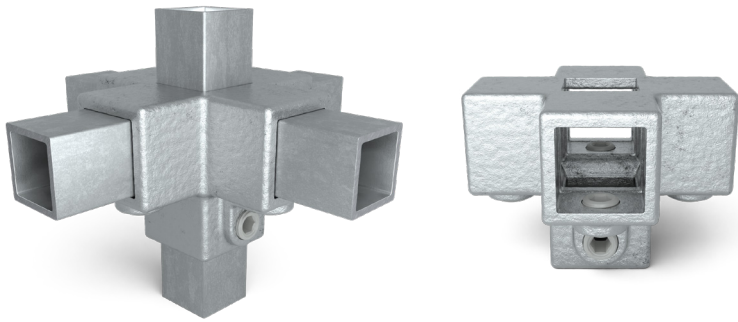


Number of items per box:

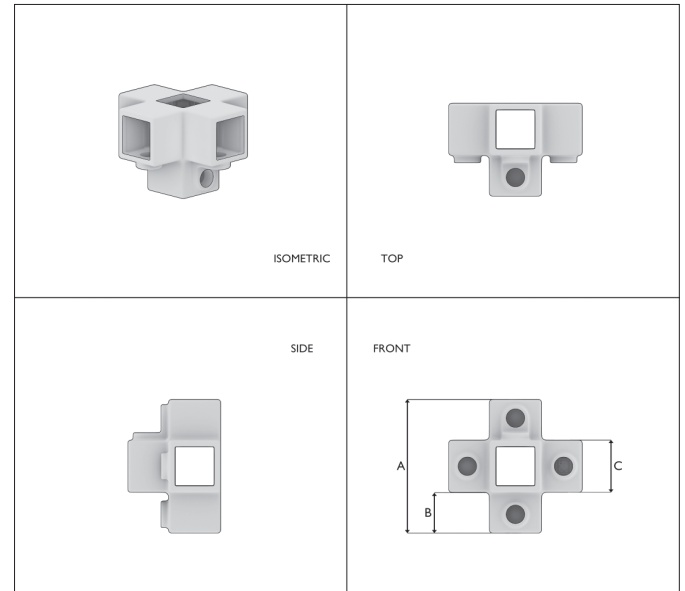
608024S-25: 35 - 608024S-40: 15

TYPE 26S | FOUR SOCKET CROSS

4-direction clamp used to fix uprights with 4 horizontal tubes that are perpendicular to each other. Upright tube passes through the clamp.



Type	Int.Code	Size	A	B	C	BSP	Weight
608026S-25	158-S25	25 mm	90	25	35	1/4"	0,47 kg
608026S-40	158-S40	40 mm	136	42	52	3/8"	1,29 kg

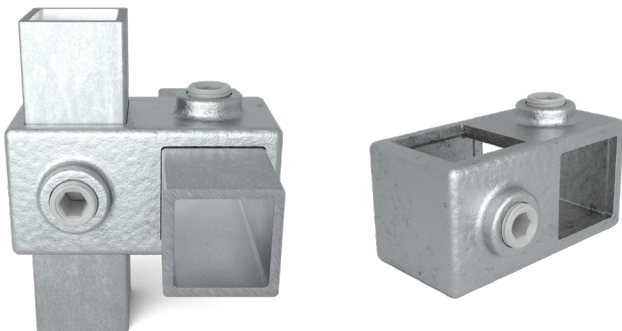


Number of items per box:

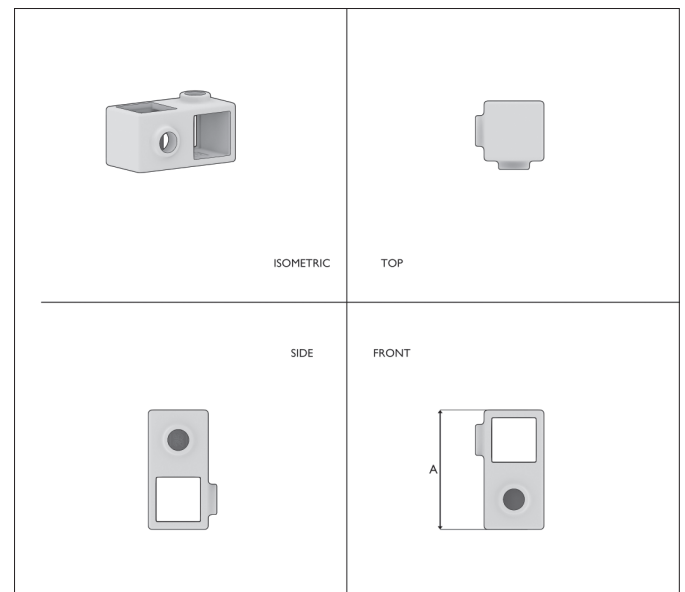
608026S-25: 30 - 608026S-40: 6

TYPE 28S | CROSSOVER 90°

Used for long tube intersections with uprights where decreasing cutting cost and increasing strength of the system with continuity of the tube is desired.



Type	Int.Code	Size	A	BSP	Weight
608028S-25	161-S25	25 mm	70	1/4"	0,23 kg
608028S-40	161F-S40	40 mm	107	3/8"	0,53 kg

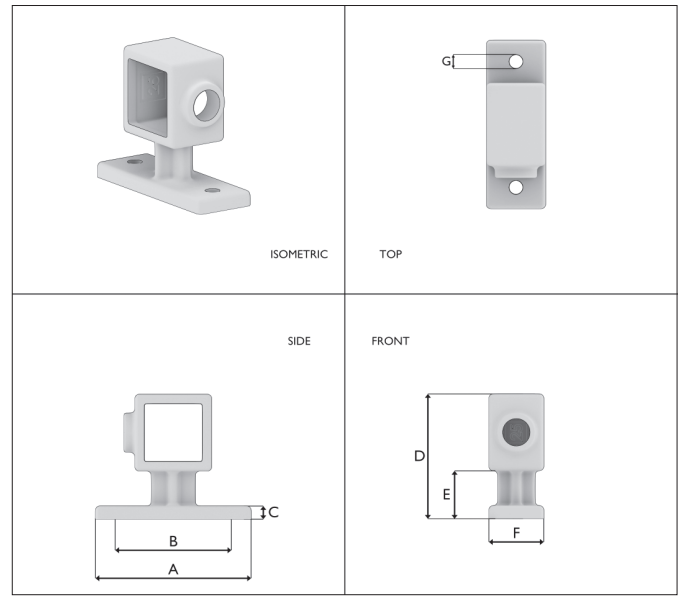
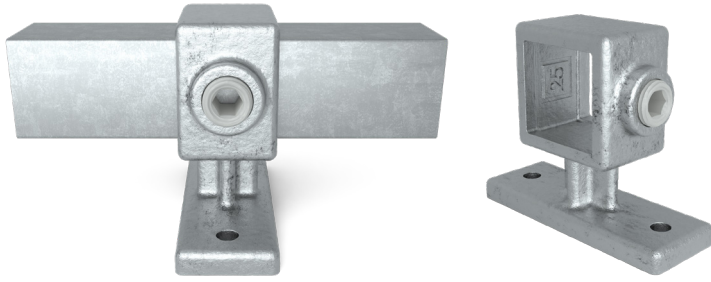


Number of items per box:

608028S-25: 75 - 608028S-40: 30

TYPE 34S | HANDRAIL SUPPORT

To attach railings and constructions to walls.



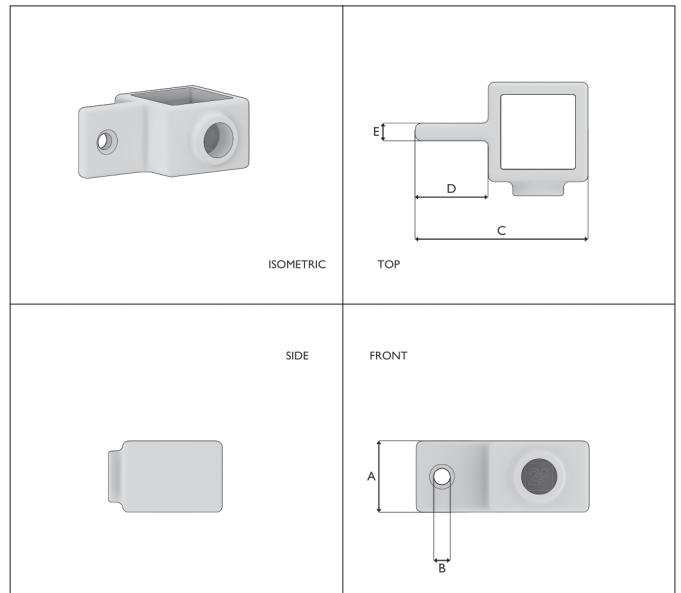
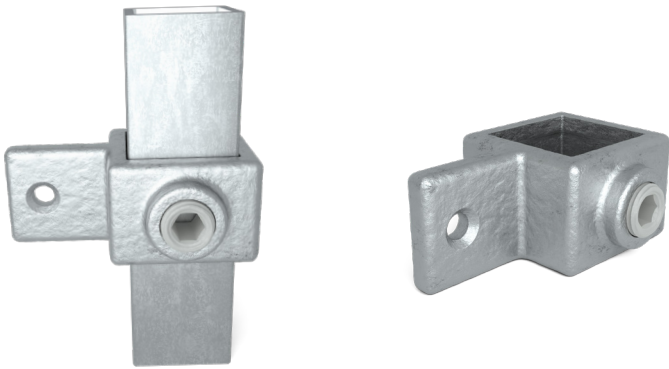
Type	Int.Code	Size	A	B	C	D	E	F	G	BSP	Weight
608034S-25	I43W-S25	25 mm	71	53	6	57	22	25	6	1/4"	0,36 kg
608034S-40	I43W-S40	40 mm	104	80	8	94	42	42	10	3/8"	0,61 kg

Number of items per box:

608034S-25: **120** - 608034S-40: **25**

TYPE 36S | MALE SINGLE LUG

Also used for fixing panels and boards.



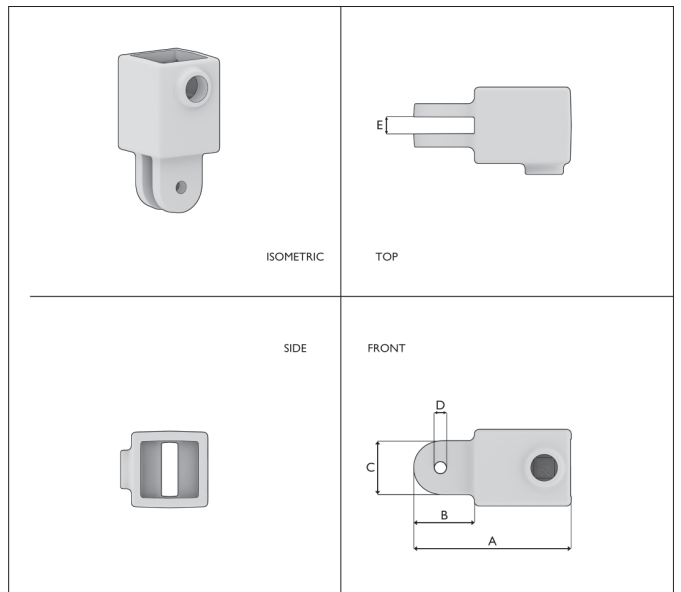
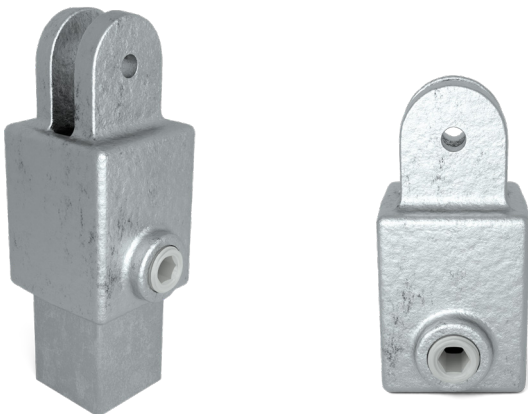
Type	Int.Code	Size	A	B	C	D	E	BSP	Weight
608036S-25	I73M-S25	25 mm	25	6	61	26	6	1/4"	0,13 kg
608036S-40	I73M-S40	40 mm	42	10	94	42	8	3/8"	0,35 kg

Number of items per box:

608036S-25: **170** - 608036S-40: **45**

TYPE 42S | FEMALE SINGLE SOCKET

One part of swivel fitting, not generally used alone, combination for example Type 36.



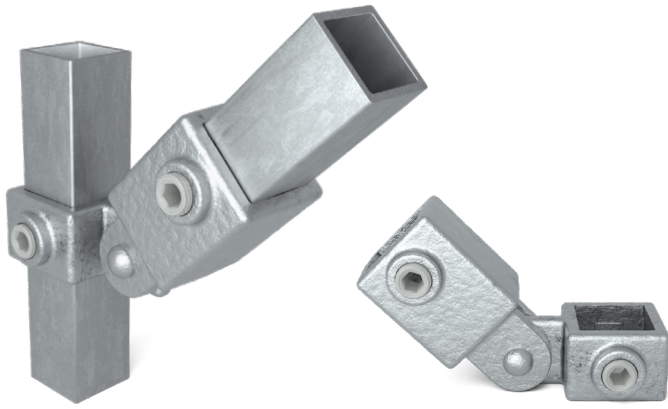
Type	Int.Code	Size	A	B	C	D	E	BSP	Weight
608042S-25	I74F-S25	25 mm	75	29	25	6	8	1/4"	0,23 kg
608042S-40	I74F-S40	40 mm	119	51	40	11	11	3/8"	0,64 kg

Number of items per box:

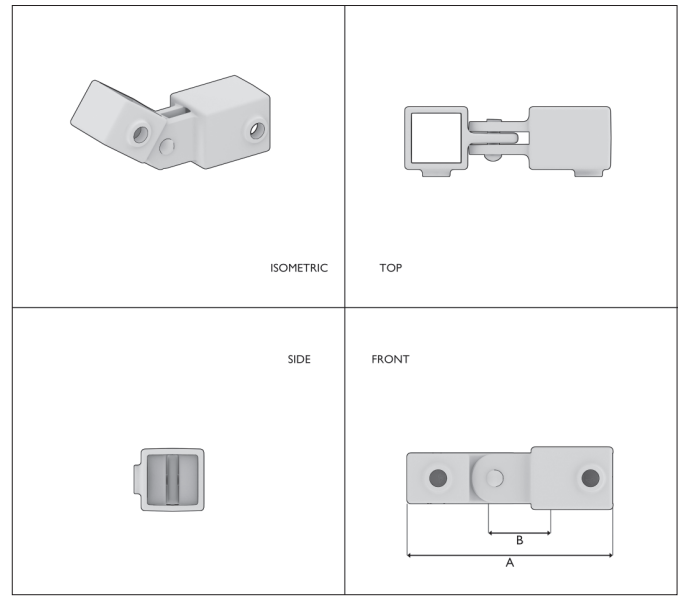
608042S-25: **85** - 608042S-40: **25**

TYPE 44S | SINGLE SWIVEL

Swivel fitting for variable angle fixing.



Type	Int.Code	Size	A	B	BSP	Weight
608044S-25	173-S25	25 mm	113	52	1/4"	0,36 kg
608044S-40	173-S40	40 mm	172	57	3/8"	1,05 kg

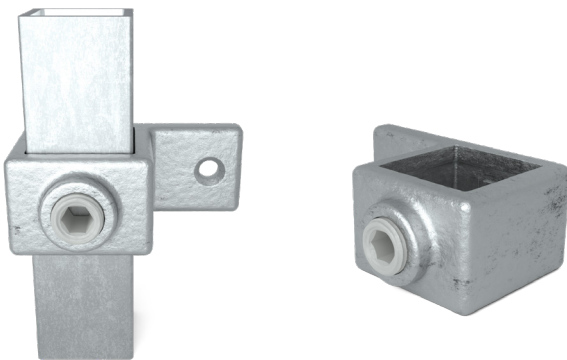


Number of items per box:

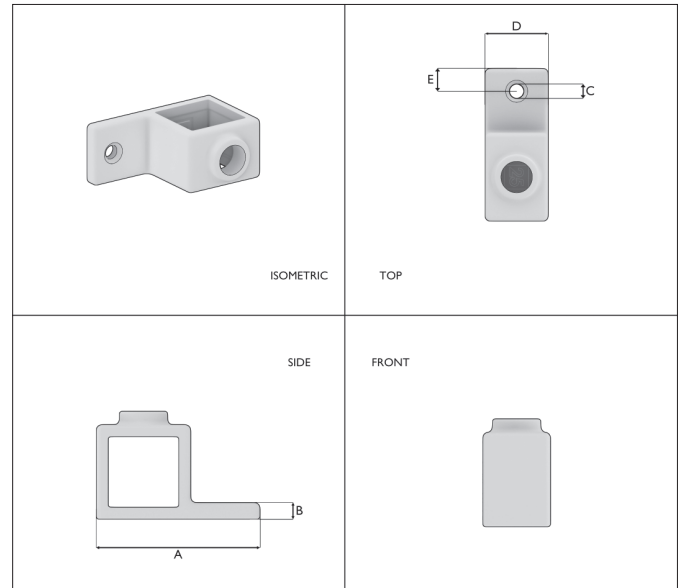
608044S-25: **50** - 608044S-40: **20**

TYPE 55S | COLLAR PLATE SINGLE SIDE

Fitting for panel fixing.



Type	Int.Code	Size	A	B	C	D	E	BSP	Weight
608055S-25	199-S25	25 mm	61	6	6	25	9	1/4"	0,13 kg
608055S-40	199-S40	40 mm	94	8	10	42	20	3/8"	0,29 kg

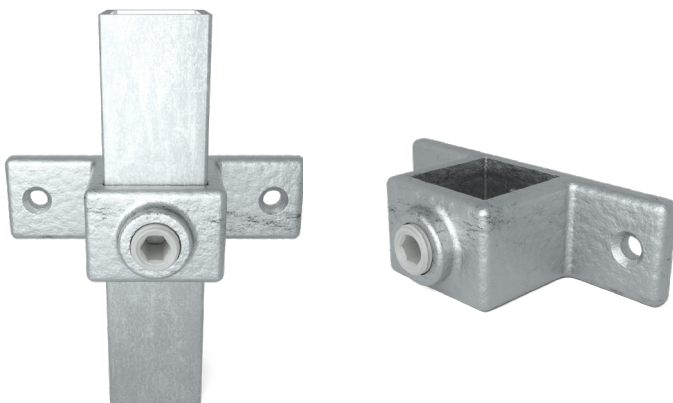


Number of items per box:

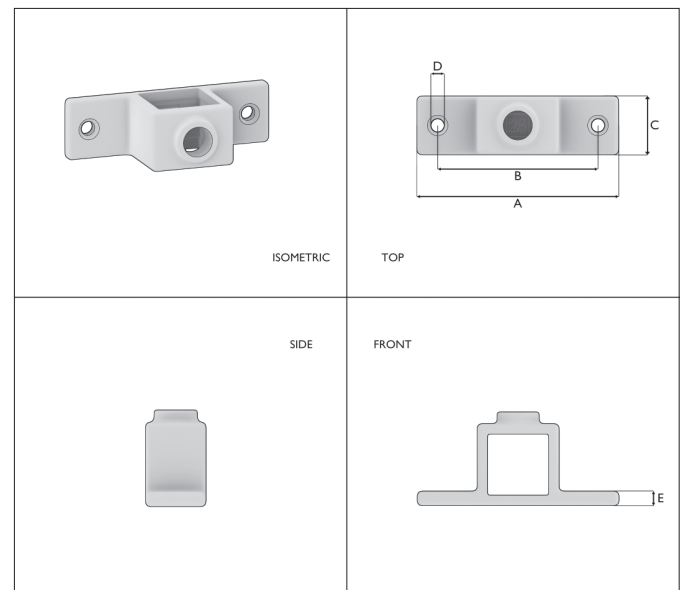
608055S-25: **160** - 608055S-40: **40**

TYPE 56S | COLLAR PLATE DOUBLE SIDE

Panel fixing with two lugs also used for locking gates.



Type	Int.Code	Size	A	B	C	D	E	BSP	Weight
608056S-25	198-S25	25 mm	87	69	25	6	6	1/4"	0,16 kg
608056S-40	198-S40	40 mm	136	96	42	10	8	3/8"	0,45 kg

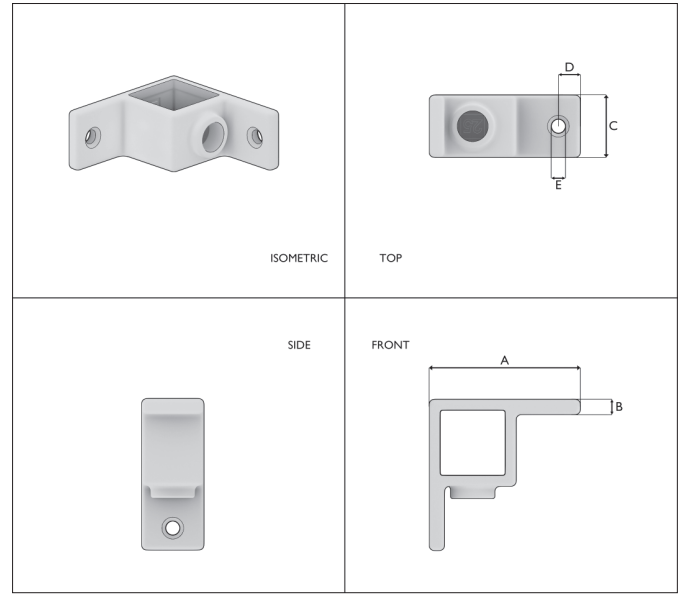
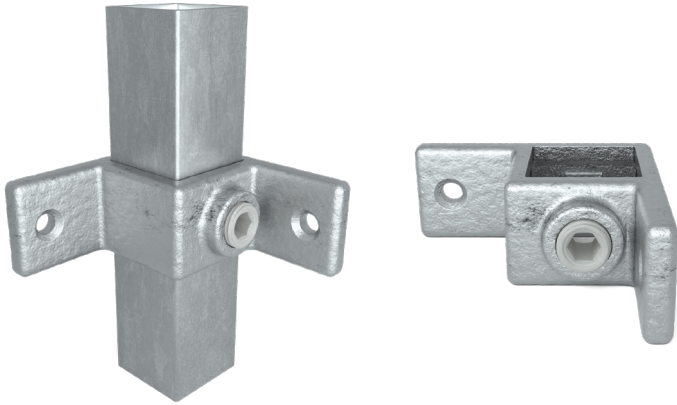


Number of items per box:

608056S-25: **130** - 608056S-40: **25**

TYPE 57S | COLLAR PLATE DOUBLE SIDE 90°

Collar Plate Double Side 90°. Double panel fixing for carrying 2 shelves in 90°.



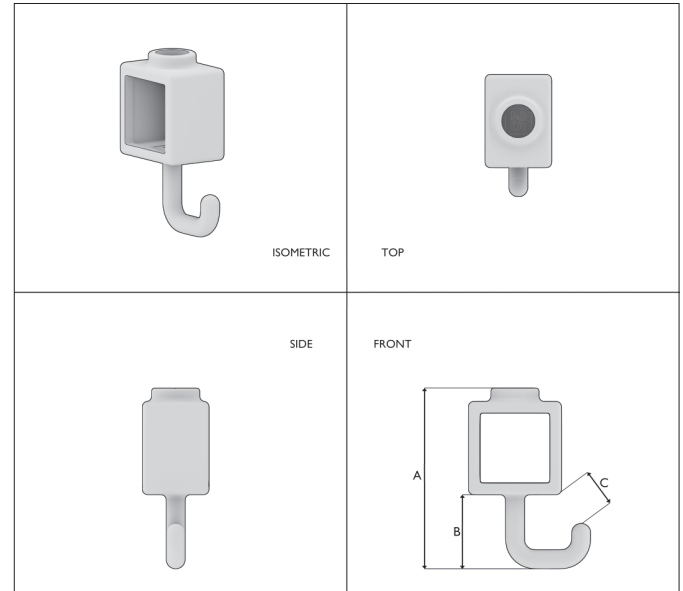
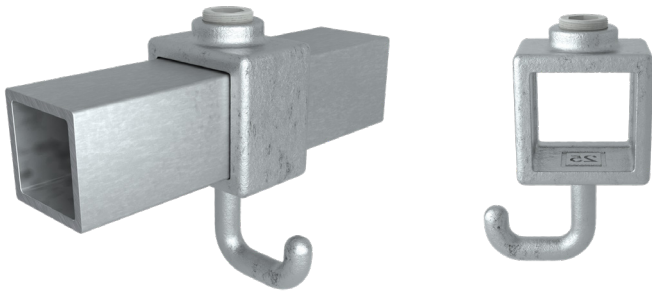
Type	Int.Code	Size	A	B	C	D	E	BSP	Weight
608057S-25	197-S25	25 mm	61	6	25	9	6	1/4"	0,17 kg
608057S-40	197-S40	40 mm	94	8	42	26	10	3/8"	0,47 kg

Number of items per box:

608057S-25: **125** - 608057S-40: **30**

TYPE 64S | COAT HOOK

Hook 90 degrees narrow. Similar to tube coupling Type 61, but better suited for making coat hangers and the like.



Type	Int.Code	Size	A	B	C	BSP	Weight
608064S-25	182T-S25	25 mm	68	28	13	1/4"	0,12 kg
608064S-40	173F-S40	40 mm	113	52	20	3/8"	0,30 kg

Number of items per box:

608064S-25: **160** - 608064S-40: **45**

TYPE 74S-25 | PLASTIC ENDCAP - 25 MM

Endcap for closing the tube.



608074S-25

6080G74S-25

Type	Size	Weight	Quantity per box
608074S-25	25 x 25 mm	0,004 kg	300
6080G74S-25	25 x 25 mm	0,004 kg	300

TYPE 74S-40 | PLASTIC ENDCAP - 40 MM

Endcap for closing the tube.



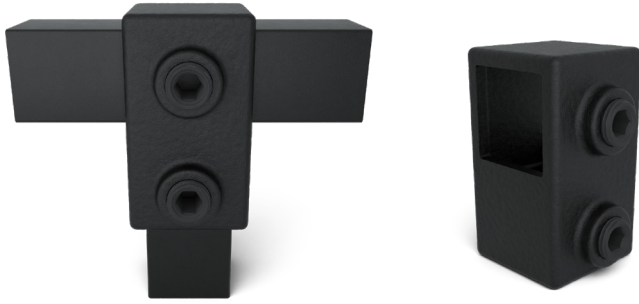
608074S-40

6080G74S-40

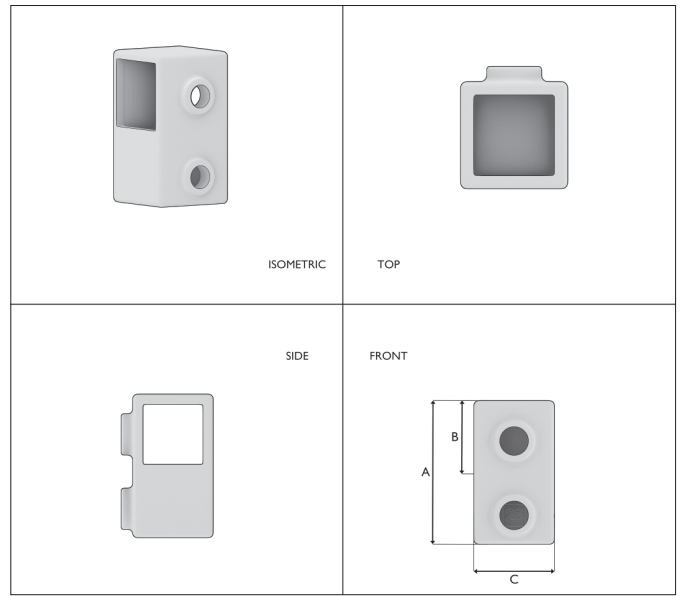
Type	Size	Weight	Quantity per box
608074S-40	40 x 40 mm	0,009 kg	225
6080G74S-40	40 x 40 mm	0,009 kg	225

TYPE 2S BLACK | SHORT T-PIECE

Forms a perpendicular connection between two tubes. Upper fitting for straight, horizontal railing supports. This fitting can not be used for horizontal tube connections in the fitting itself.



Type	Int.Code	Size	A	B	C	BSP	Weight
6080Z2S-25	101-S25	25 mm	62,50	32	35	1/4"	0,23 kg
6080Z2S-40	101-S40	40 mm	94	47	52	3/8"	0,58 kg



Number of items per box:

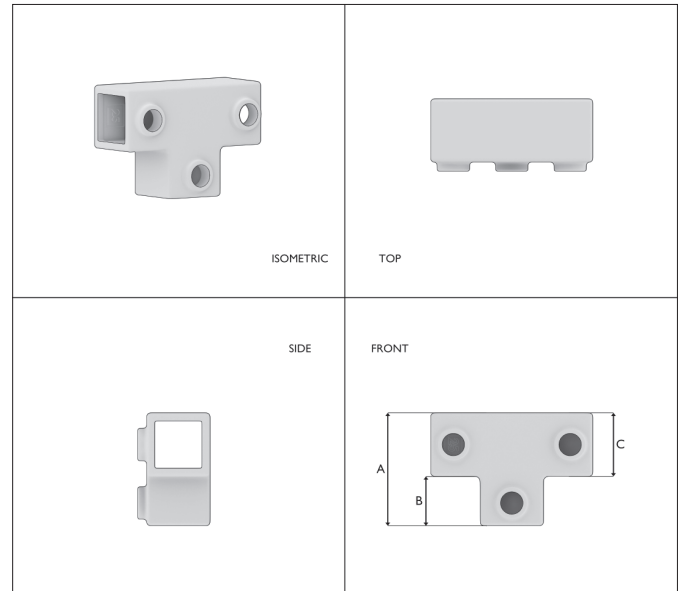
6080Z2S-25: **80** - 6080Z2S-40: **30**

TYPE 4S BLACK | LONG T-PIECE

This fitting can be used where a join is required in the horizontal tube.



Type	Int.Code	Size	A	B	C	BSP	Weight
6080Z04S-25	104-S25	25 mm	63	28	27	1/4"	0,45 kg
6080Z04S-40	104-S40	40 mm	94	52	42	3/8"	0,58 kg



Number of items per box:

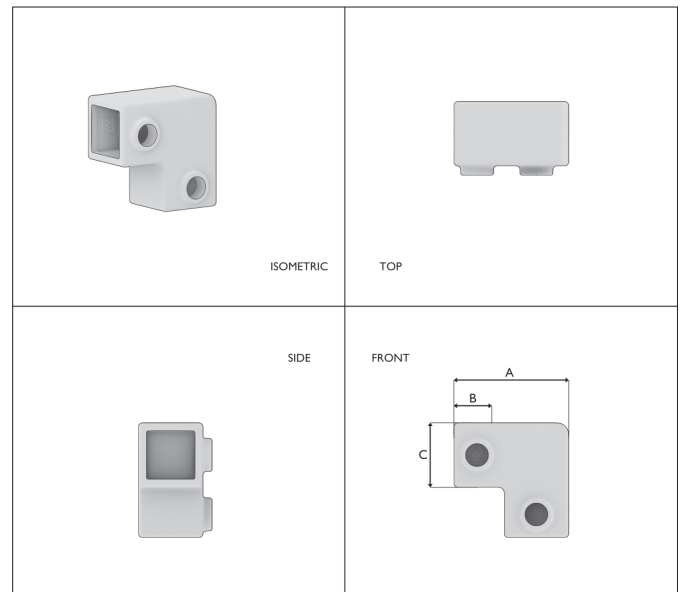
6080Z04S-25: **40** - 6080Z04S-40: **12**

TYPE 6S BLACK | KNEE PIECE 90°

Elbow fitting (90°) as end stop for the overhead rail.



Type	Int.Code	Size	A	B	C	BSP	Weight
6080Z06S-25	125-S25	25 mm	63	21	35	1/4"	0,35 kg
6080Z06S-40	125-S40	40 mm	94	30	52	3/8"	0,82 kg



Number of items per box:

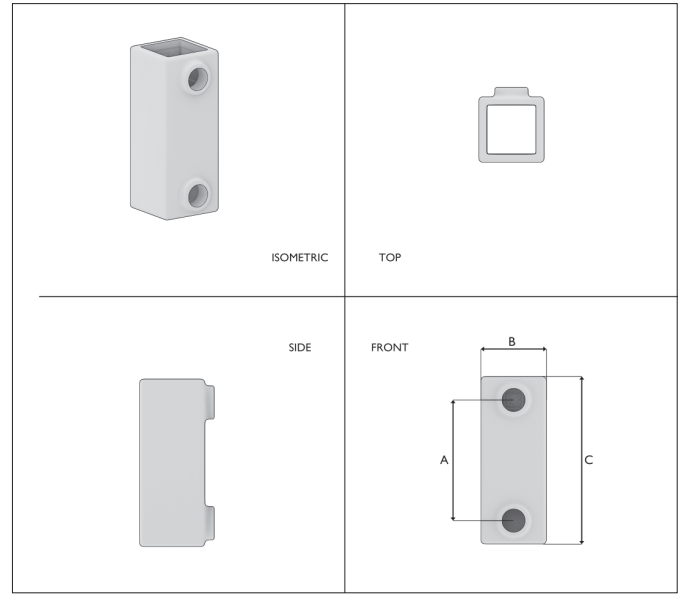
6080Z06S-25: **50** - 6080Z06S-40: **15**

TYPE 8S BLACK | STRAIGHT COUPLING

Straight Coupling. Joint clamp for tubes of the same diameter.
Do not use for heavy vertical loads. Alternative clamp is Type 9 used as an internal spigot.



Type	Int.Code	Size	A	B	C	BSP	Weight
6080Z08S-25	I49-S25	25 mm	65	35	90	1/4"	0,30 kg
6080Z08S-40	I49-S40	40 mm	90	35	65	3/8"	0,79 kg



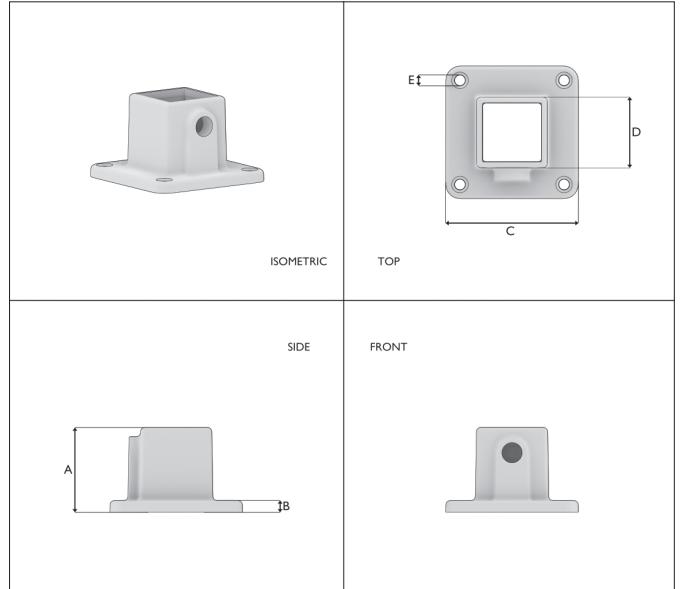
Number of items per box:
6080Z08S-25: **60** - 6080Z08S-40: **20**

TYPE 10S BLACK | SQUARE FOOTPLATE

Use this clamp for positioning constructions. Do not use as a basis for supporting safety railings and the like.



Type	Int.Code	Size	A	B	C	D	E	BSP	Weight
6080Z10S-40	I31-S40	40 mm	60	8	94	52	8	3/8"	1,03 kg



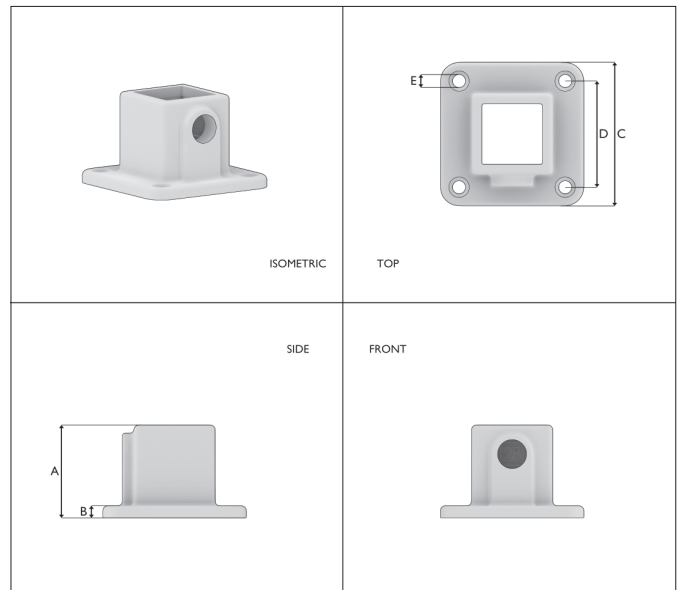
Number of items per box:
6080Z10S-40: **25**

TYPE 11S BLACK | SQUARE FOOTPLATE

Use this clamp for positioning constructions. Do not use as a basis for supporting safety railings and the like.



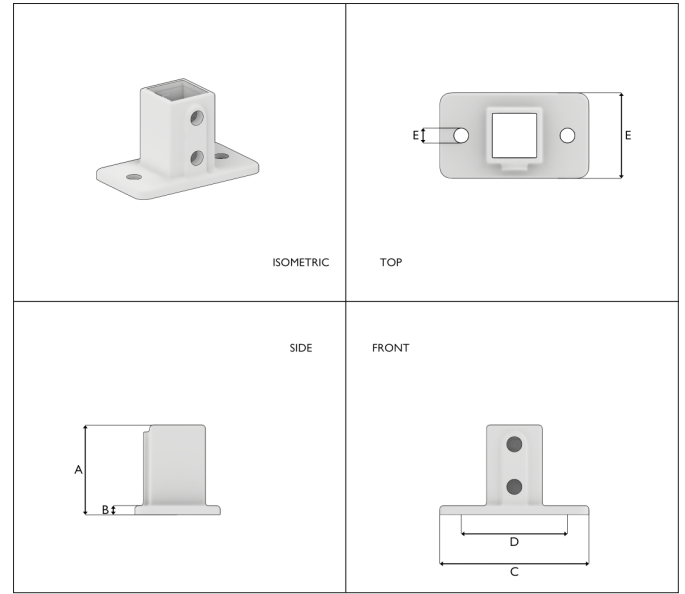
Type	Int.Code	Size	A	B	C	D	E	BSP	Weight
6080Z11S-25	F131-S25	25 mm	40	5	62	47	6	1/4"	0,27 kg



Number of items per box:
6080Z11S-25: **75**

TYPE 12S BLACK | RECTANGULAR BASE FLANGE

Rectangular Base Flange. Strong baseplate to support vertical post. Vertical wide rib with two setscrews increases the strength of the clamp. The fixing holes in the base flange should be in line with the applied load.

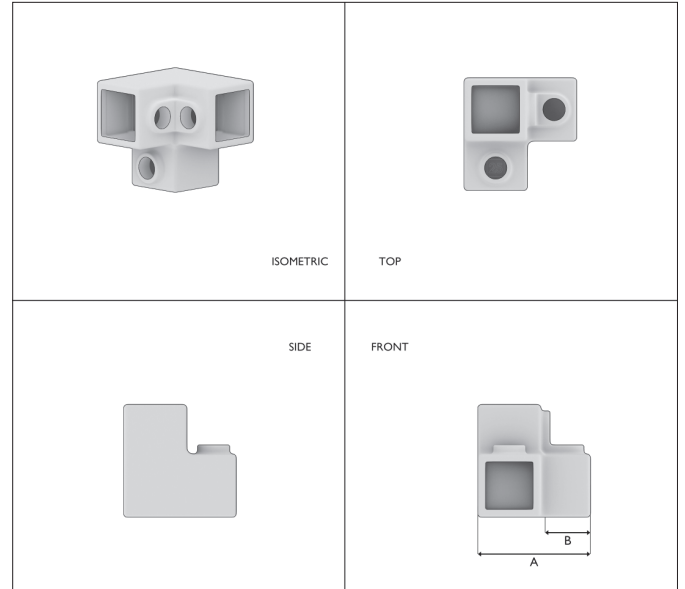
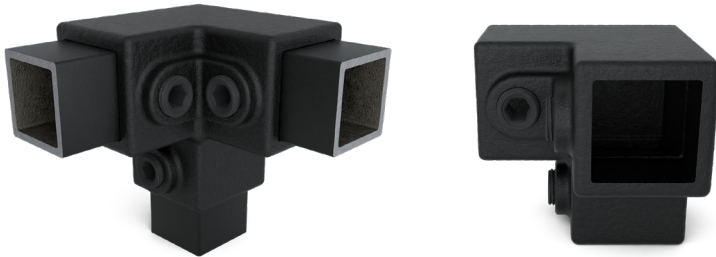


Type	Int.Code	Size	A	B	C	D	E	F	BSP	Weight
6080Z12-S40	132-S40	40,0mm	82	8	140	100	14,5	80	3/8"	0,99 kg

Number of items per box:
6080Z12S-40: **15**

TYPE 18S BLACK | THREE-WAY ELBOW 90°

Angle connection clamp (90°) for corners of overheads and all other angled connections.

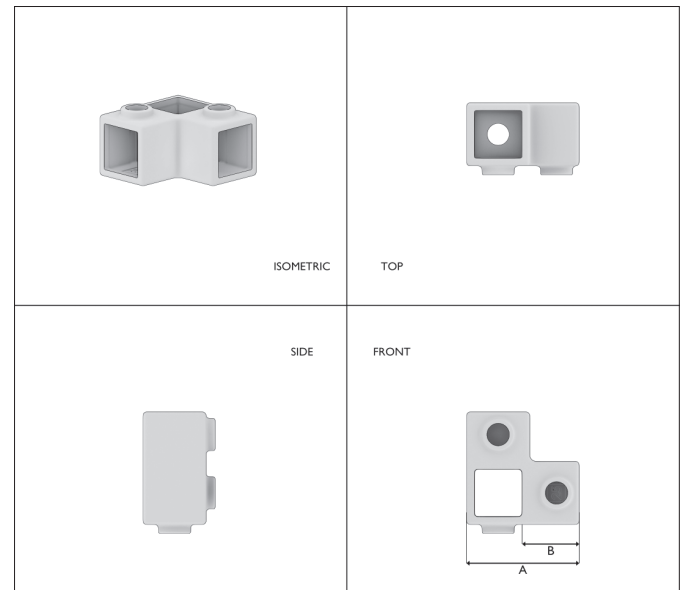


Type	Int.Code	Size	A	B	BSP	Weight
6080Z18S-25	128-S25	25 mm	63	28	1/4"	0,43 kg
6080Z18S-40	128-S40	40 mm	94	42	3/8"	1,06 kg

Number of items per box:
6080Z18S-25: **35** - 6080Z18S-40: **10**

TYPE 20S BLACK | ANGLE OF CONTINUOUS UPRIGHT

Corner connection (90°), where the vertical tube runs through the clamp.



Type	Int.Code	Size	A	B	BSP	Weight
6080Z20S-25	116-S25	25 mm	63	28	1/4"	0,32 kg
6080Z20S-40	116-S40	40 mm	94	42	3/8"	0,69 kg

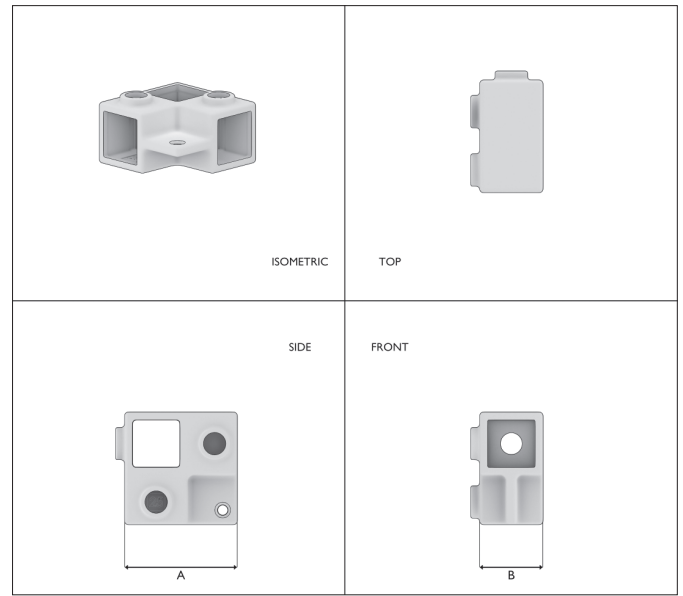
Number of items per box:
6080Z20S-25: **50** - 6080Z20S-40: **20**

TYPE 21S BLACK | ANGLE OF CONTINUOUS UPRIGHT WITH LIP

Corner connection (90°), where the vertical tube runs through the clamp.



Type	Int.Code	Size	A	B	BSP	Weight
6080Z21S-25	116L-S25	25 mm	63	35	1/4"	0,19 kg

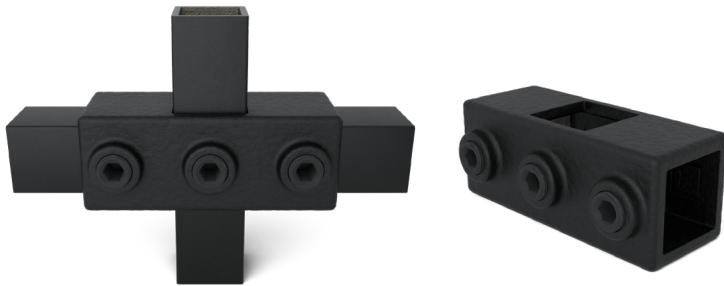


Number of items per box:

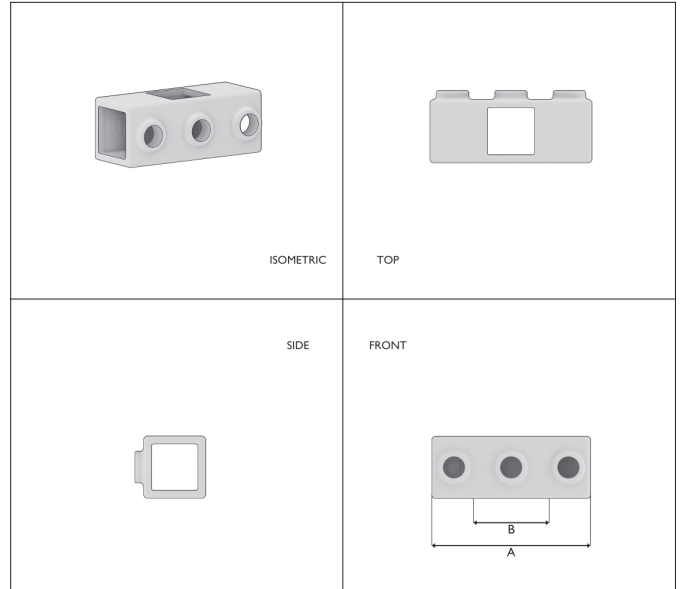
6080Z21S-25: **45**

TYPE 22S BLACK | TWO SOCKET CROSS

joint clamp between the middle rail and an upright on railings.



Type	Int.Code	Size	A	B	BSP	Weight
6080Z22S-25	119-S25	25 mm	136	42	1/4"	0,15 kg
6080Z22S-40	119-S40	40 mm	136	42	3/8"	0,71 kg

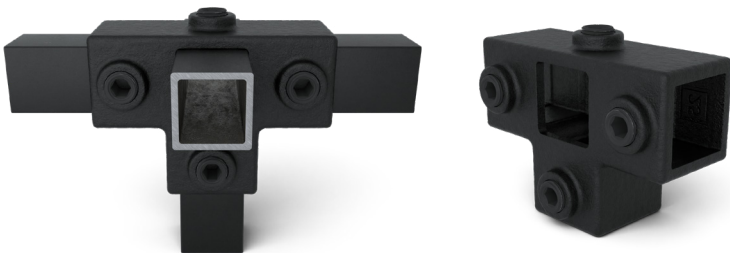


Number of items per box:

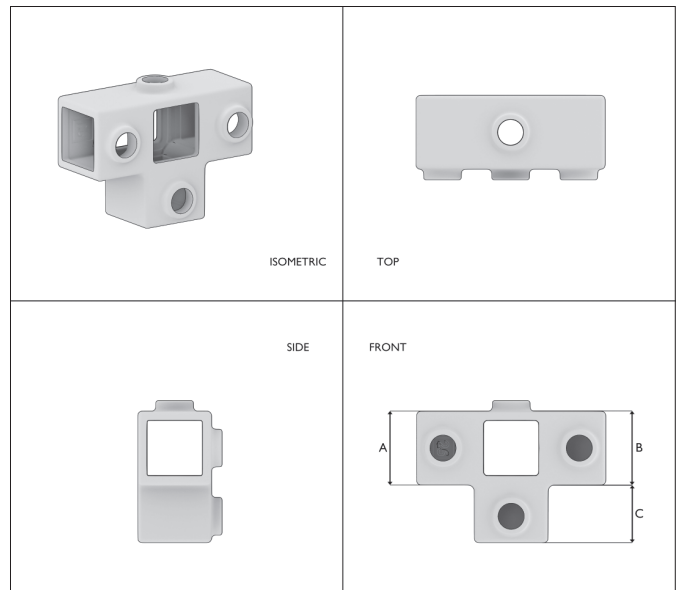
6080Z22S-25: **55** - 6080Z22S-40: **20**

TYPE 24S BLACK | SIDE OUTLET TEE

3-direction clamp used to fix uprights with 3 horizontal tubes that are perpendicular to each other. Upright tube passes through the clamp.



Type	Int.Code	Size	A	B	C	BSP	Weight
6080Z24S-25	176-S25	25 mm	35	35	28	1/4"	0,38 kg
6080Z24S-40	176-S40	40 mm	52	52	42	3/8"	0,91 kg

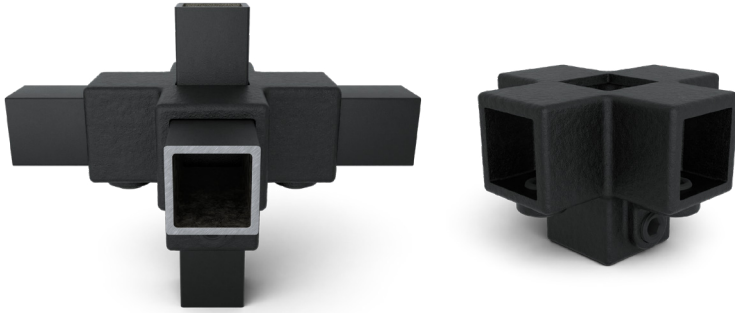


Number of items per box:

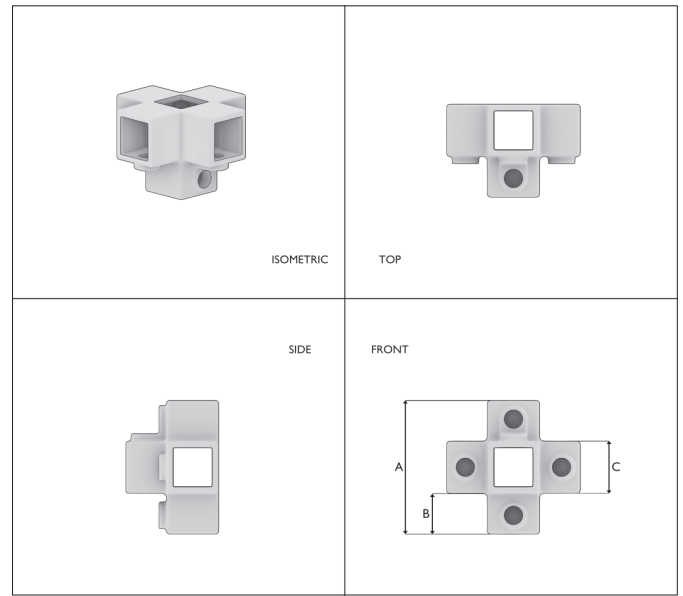
6080Z24S-25: **35** - 6080Z24S-40: **15**

TYPE 26S BLACK | FOUR SOCKET CROSS

4-direction clamp used to fix uprights with 4 horizontal tubes that are perpendicular to each other. Upright tube passes through the clamp.



Type	Int.Code	Size	A	B	C	BSP	Weight
6080Z26S-25	158-S25	25 mm	90	25	35	1/4"	0,47 kg
6080Z26S-40	158-S40	40 mm	136	42	52	3/8"	1,29 kg



Number of items per box:

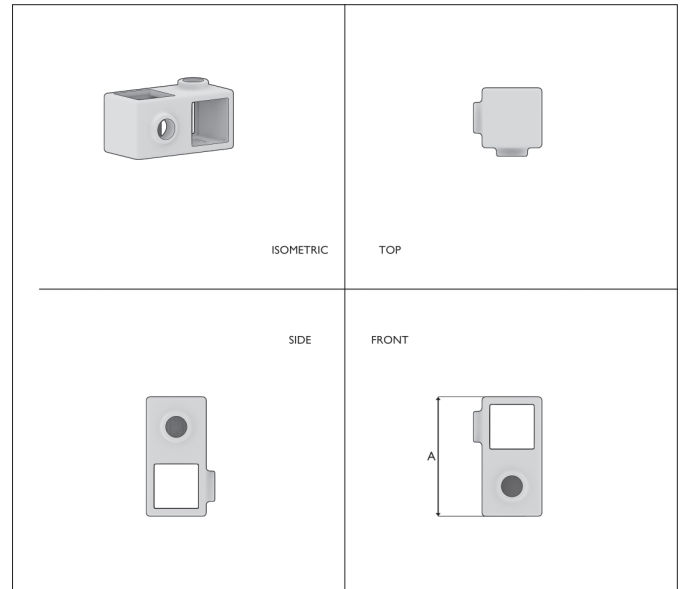
6080Z26S-25: 20 - 6080Z26S-40: 6

TYPE 28S BLACK | CROSSOVER 90°

Used for long tube intersections with uprights where decreasing cutting cost and increasing strength of the system with continuity of the tube is desired.



Type	Int.Code	Size	A	BSP	Weight
6080Z28S-25	161-S25	25 mm	70	1/4"	0,23 kg
6080Z28S-40	161F-S40	40 mm	107	3/8"	0,53 kg



Number of items per box:

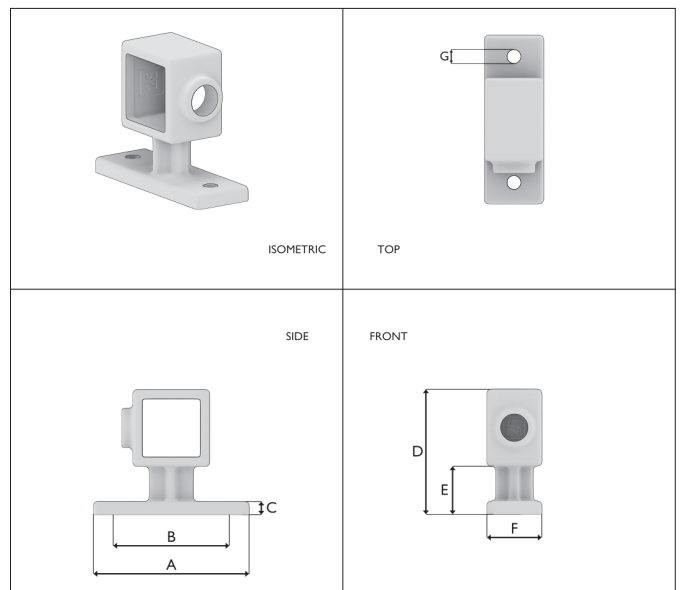
6080Z28S-25: 100 - 6080Z28S-40: 30

TYPE 34S BLACK | HANDRAIL SUPPORT

To attach railings and constructions to walls.



Type	Int.Code	Size	A	B	C	D	E	F	G	BSP	Weight
6080Z34S-25	143W-S25	25 mm	71	53	6	57	22	25	6	1/4"	0,36 kg
6080Z34S-40	143W-S40	40 mm	104	80	8	94	42	42	10	3/8"	0,61 kg



Number of items per box:

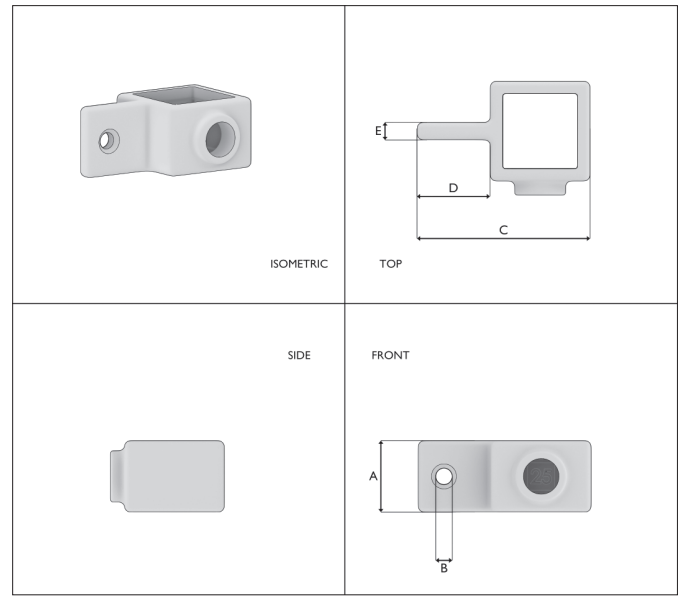
6080Z34S-25: 100 - 6080Z34S-40: 25

TYPE 36S BLACK | MALE SINGLE LUG

Also used for fixing panels and boards.



Type	Int.Code	Size	A	B	C	D	E	BSP	Weight
6080Z36S-25	173M-S25	25 mm	25	6	61	26	6	1/4"	0,13 kg
6080Z36S-40	173M-S40	40 mm	42	10	94	42	8	3/8"	0,35 kg



Number of items per box:

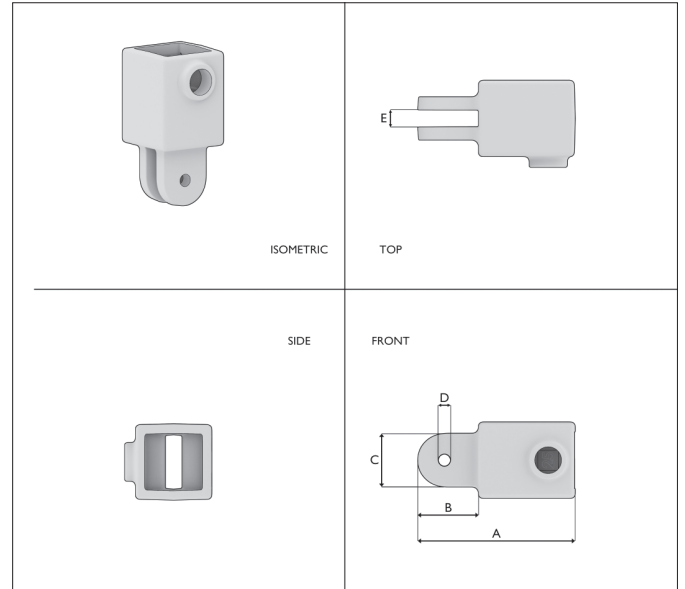
6080Z36S-25: **160** - 6080Z34S-40: **25**

TYPE 42S BLACK | FEMALE SINGLE SOCKET

One part of swivel fitting, not generally used alone, combination for example Type 36.



Type	Int.Code	Size	A	B	C	D	E	BSP	Weight
6080Z42S-25	174F-S25	25 mm	75	29	25	6	8	1/4"	0,23 kg
6080Z42S-40	174F-S40	40 mm	119	51	40	11	11	3/8"	0,64 kg



Number of items per box:

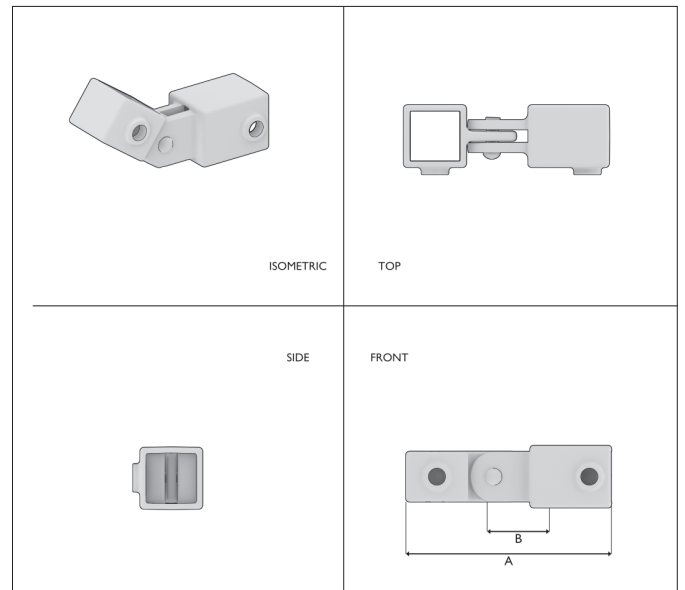
6080Z42S-25: **85** - 6080Z42S-40: **25**

TYPE 44S BLACK | SINGLE SWIVEL

Swivel fitting for variable angle fixing.



Type	Int.Code	Size	A	B	BSP	Weight
6080Z44S-25	173-S25	25 mm	113	52	1/4"	1,00 kg
6080Z44S-40	173-S40	40 mm	172	57	3/8"	1,05 kg

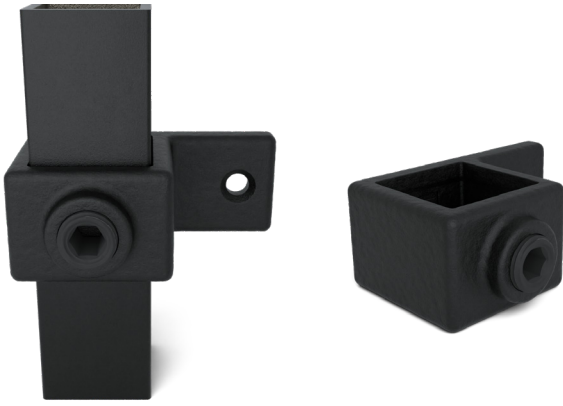


Number of items per box:

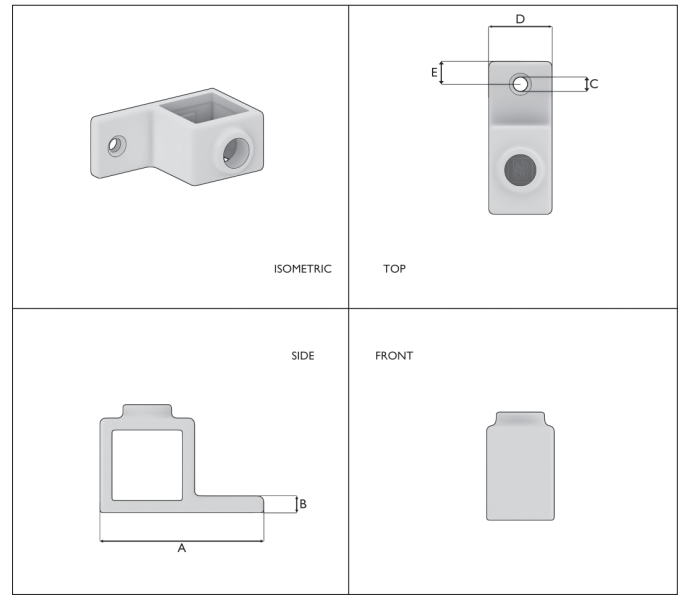
6080Z44S-25: **50** - 6080Z44S-40: **20**

TYPE 55S BLACK | COLLAR PLATE SINGLE SIDE

Fitting for panel fixing.



Type	Int.Code	Size	A	B	C	D	E	BSP	Weight
6080Z55S-25	I99-S25	25 mm	61	6	6	25	9	1/4"	0,13 kg
6080Z55S-40	I99-S40	40 mm	94	8	10	42	20	3/8"	0,29 kg

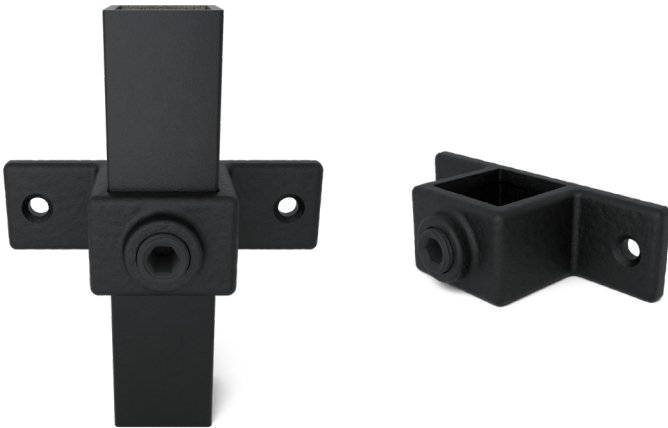


Number of items per box:

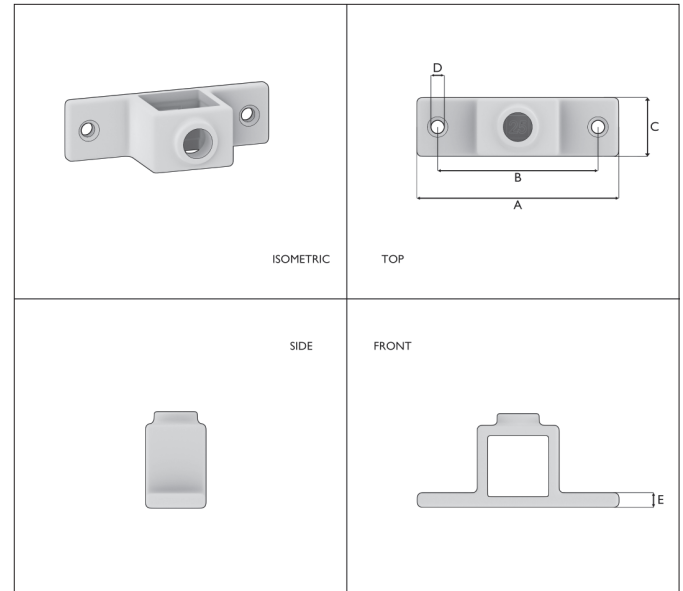
6080Z55S-25: **160** - 6080Z55S-40: **40**

TYPE 56S BLACK | COLLAR PLATE DOUBLE SIDE

Panel fixing with two lugs also used for locking gates.



Type	Int.Code	Size	A	B	C	D	E	BSP	Weight
6080Z56S-25	I98-S25	25 mm	87	69	25	6	6	1/4"	0,16 kg
6080Z56S-40	I98-S40	40 mm	136	96	42	10	8	3/8"	0,45 kg

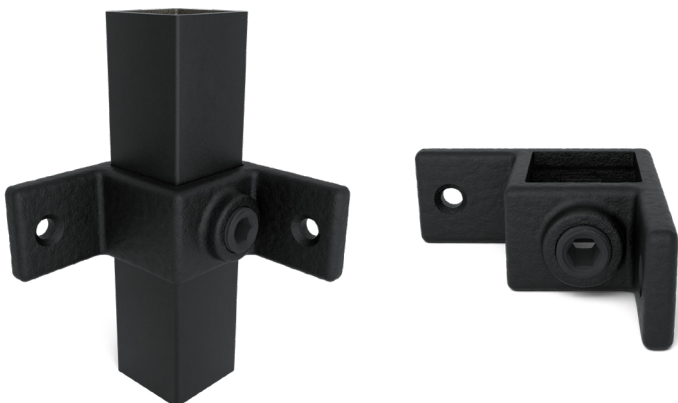


Number of items per box:

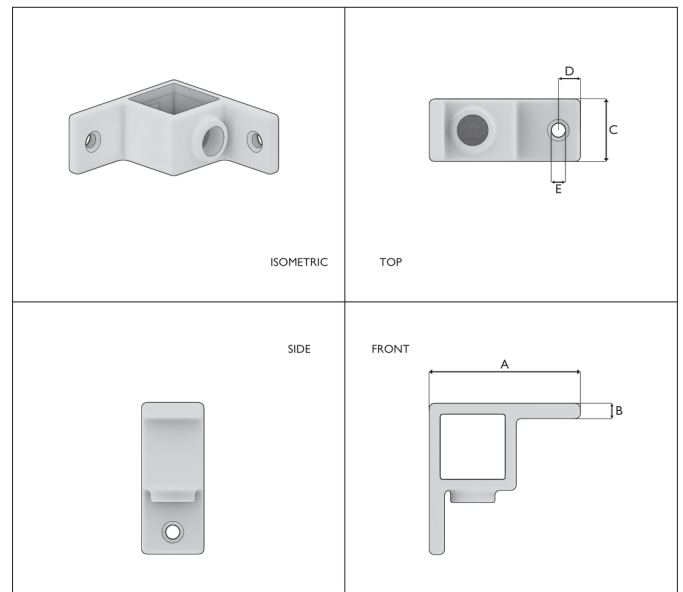
6080Z56S-25: **130** - 6080Z56S-40: **25**

TYPE 57S BLACK | COLLAR PLATE DOUBLE SIDE 90°

Collar Plate Double Side 90°. Double panel fixing for carrying 2 shelves in 90°.



Type	Int.Code	Size	A	B	C	D	E	BSP	Weight
6080Z57S-25	I97-S25	25 mm	61	6	25	9	6	1/4"	0,17 kg
6080Z57S-40	I97-S40	40 mm	94	8	42	26	10	3/8"	0,47 kg



Number of items per box:

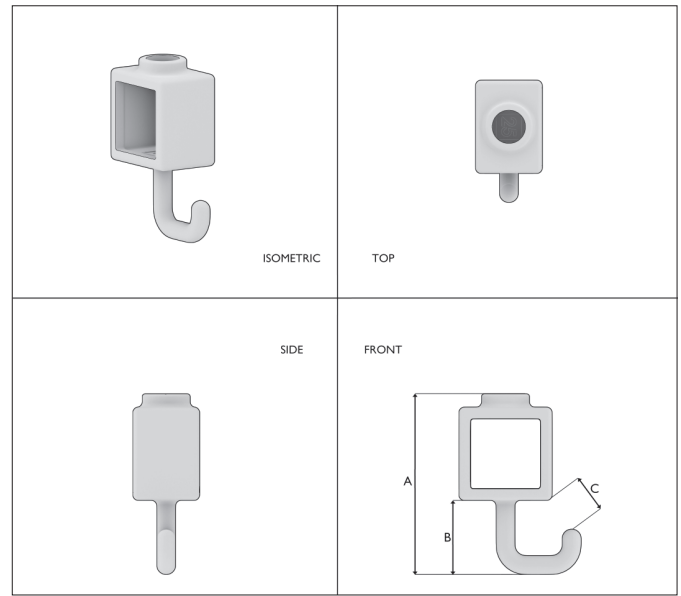
6080Z57S-25: **125** - 6080Z57S-40: **30**

TYPE 64S BLACK | COAT HOOK

Hook 90 degrees narrow. Similar to tube coupling Type 61, but better suited for making coat hangers and the like.



Type	Int.Code	Size	A	B	C	BSP	Weight
6080Z64S-25	182T-S25	25 mm	68	28	13	1/4"	0,12 kg
6080Z64S-40	173F-S40	40 mm	113	52	20	3/8"	0,30 kg



Number of items per box:

6080Z64S-25: **160** - 6080Z64S-40: **45**



608074S-25



6080G74S-25

TYPE 74S-25 | PLASTIC ENDCAP - 25 MM

Endcap for closing the tube.

Type	Size	Weight	Quantity per box
608074S-25	25 x 25 mm	0,004 kg	300
6080G74S-25	25 x 25 mm	0,004 kg	300



608074S-40



6080G74S-40

TYPE 74S-40 | PLASTIC ENDCAP - 40 MM

Endcap for closing the tube.

Type	Size	Weight	Quantity per box
608074S-40	40 x 40 mm	0,009 kg	225
6080G74S-40	40 x 40 mm	0,009 kg	225

TYPE 76 BLACK | STAINLESS STEEL SET SCREWS

Set screw with Type BSPT thread for tubefittings.



Type	Int.code	Size	Weight
6080Z76A		1/8" (for type A)	3 g
6080Z76BC	300	1/4" (for type B / C and 25 mm)	7 g
6080Z76DEF	301	3/8" (for type D / E / F and 40 mm)	14 g



TYPE 78 BLACK | PLASTIC SCREW CAP

Plastic screw cap black (25 pc)

Type	Size	Weight	Number per bag
6080Z78A	For type A	8 g	25
6080Z78BC	For type B / C and 25 mm	12 g	25
6080Z78DEF	For type D / E / F and 40 mm	17 g	25

STEEL TUBE

Standard trade length approx 600 cm. Welded gas tube. Quality standard EN-10255-L2 (Art. no. STCB213, STCB269, STCB337 and STCB424). Quality standard EN-10255-L2 (Art.nr. STCB213, STCB269, STCB337 and STCB424). Hot-dip galvanised tube. Powder coating on request.



Type	Size	Size (diameter x wall thickness)	Weight per meter	Number of lengths per bundle
STCB213	A	21,3 x 2 mm (½")	0,985 kg	169
STCB269	B	26,9 x 2,3 mm (¾")	1,435 kg	127
STCB337	C	33,7 x 2,6 mm (1")	2,058 kg	91
STCB424	D	42,4 x 2,6 mm (1¼")	2,642 kg	61
STB483	E	48,3 x 3,2 mm (1½")	3,609 kg	61
STB603	F	60,3 x 3,6 mm (2")	5,097 kg	37

STEEL TUBE BLACK

A large part of our tubefittings and tubes are now also available in black! These tubes have a standard trade length of 300 cm but can of course always be cut to size for you. Quality standard EN-10219-L (Art.nr. STBZ213, STBZ269, STBZ337 and STBZ424).



Type	Size	Size (diameter x wall thickness)	Weight per meter	Number of lengths per bundle
STBZ213	A	21,3 x 2 mm (½")	0,985 kg	450
STBZ269	B	26,9 x 2,3 mm (¾")	1,435 kg	300
STBZ337	C	33,7 x 2,6 mm (1")	2,058 kg	200
STBZ424	D	42,4 x 2,6 mm (1¼")	2,642 kg	150
STBZ483	E	48,3 x 2,9 mm (1½")	3,359 kg	100

STEEL VINTAGE BROWN TUBE

The tubes have a standard length of 300 cm, but can of course be cut to size for you. Quality standard EN-10255-L2 (Item nos. STCB213, STCB269, STCB337, and STCB424). Quality standard EN-10255-M (Item nos. STB483, STB603). Hot-dip galvanized.



Type	Size	Size (diameter x wall thickness)	Weight per meter	Number of lengths per bundle
STBV269	B	26,9 x 2,3 mm (¾")	1,435 kg	450
STBV337	C	33,7 x 2,6 mm	2,058 kg	300

STEEL TUBE RAL 1021 (YELLOW)

A new color tube has been added to our range. Now also available in yellow (RAL 1021). These tube have a standard trade length of 300 cm but can of course always be cut to size for you. Quality standard EN-10219-L (Art.nr. STBY483).



Type	Size	Size (diameter x wall thickness)	Weight per meter	Number of lengths per bundle
STBY483	E	48,3 x 2,9 mm (1½")	3,359 kg	100

STEEL SQUARE TUBE

Steel square 25 and 40 mm tube profile / socket of 2 mm thickness. This profile has a standard trade length of 600 cm, but can always be cut to size for you. Suitable for our square tubefittings. Quality standard EN-10219-S235JHR.



Type	Size	Size (diameter x wall thickness)	Weight per meter	Number of lengths per bundle
STK252	25 mm	25 x 2 mm	1,422 kg	85
STK402	40 mm	40 x 2 mm	2,386 kg	50

STEEL BLACK SQUARE TUBE

Steel square 25 and 40 mm tube profile / socket of 2 mm thickness. This profile has a standard trade length of 300 cm, but can always be cut to size for you. Suitable for our square tubefittings. Quality standard EN-10219-S235JHR.



Type	Size	Size (diameter x wall thickness)	Weight per meter	Number of lengths per bundle
STKZ252	25 mm	25 x 2 mm	1,422 kg	300
STKZ402	40 mm	40 x 2 mm	2,386 kg	150

ALUMINUM TUBE

Standard trade length approx 600 cm. High quality alloy in accordance with quality standard EN AW-6060 T66. Powder coating on request.



Type	Size	Size (diameter x wall thickness)	Weight per meter	Number of lengths per bundle
AB212	A	21 x 2 mm (½")	0,322 kg	255
AB269	B	26,9 x 2,5 mm (¾")	0,517 kg	160
AB337	C	33,7 x 3 mm (1")	0,781 kg	104
AB422	D	42 x 2 mm (1¼")	0,678 kg	118
AB420	D	42 x 3 mm (1¼")	0,992 kg	86
AB482	E	48 x 2 mm (1½")	0,780 kg	86
AB480	E	48 x 3 mm (1½")	1,145 kg	77
AB600	F	60 x 3 mm (2")	1,450 kg	57

ALUMINUM TUBE BLACK

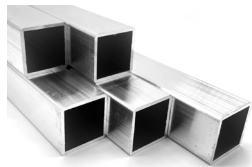
Standard trade length approx 600 cm. High quality alloy in accordance with quality standard EN AW-6060 T66.



Type	Size	Size (diameter x wall thickness)	Weight per meter	Number of lengths per bundle
ABZ269	B	26,9 x 2,5 mm (¾")	0,517 kg	160
ABZ337	C	33,7 x 3 mm (1")	0,781 kg	104
ABZ420	D	42 x 3 mm (1½")	0,992 kg	86
ABZ480	E	48 x 3 mm (1½")	1,145 kg	77

ALUMINUM SQUARE TUBE

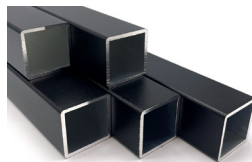
Aluminium square 25 and 40 mm tube profile / socket of 2 mm thickness. This profile has a standard trade length of 600 cm, but can always be cut to size for you. Suitable for our square tubefittings. Quality standard EN AW-6060 T66.



Type	Size	Size (diameter x wall thickness)	Weight per meter	Number of lengths per bundle
AK252	25 mm	25 x 2 mm	0,393 kg	200
AK402	40 mm	40 x 2 mm	0,810 kg	104

ALUMINUM BLACK SQUARE TUBE

Aluminium square 25 and 40 mm tube profile / socket of 2 mm thickness. This profile has a standard trade length of 300 cm, but can always be cut to size for you. Suitable for our square tubefittings. Quality standard EN AW-6060 T66.



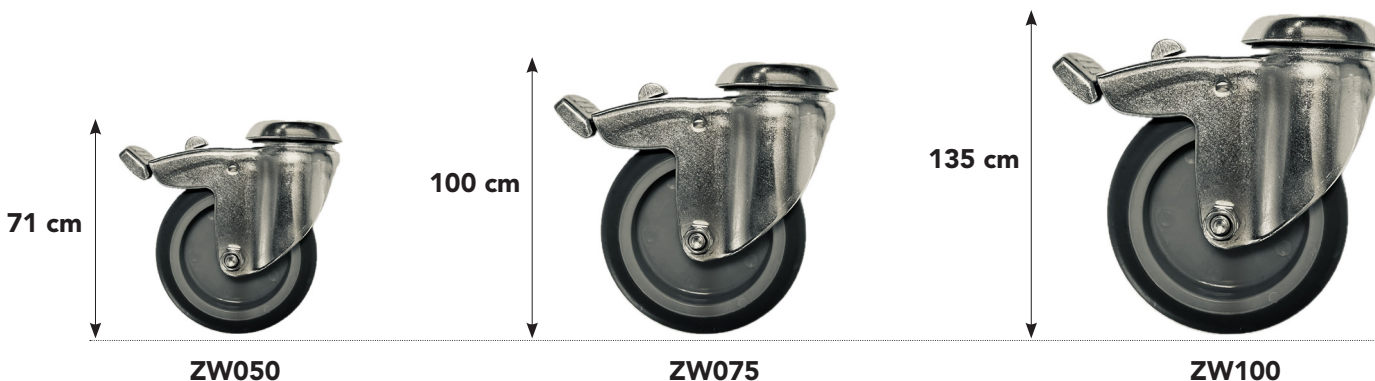
Type	Size	Size (diameter x wall thickness)	Weight per meter	Number of lengths per bundle
AKZ252	25 mm	25 x 2 mm	0,393 kg	200
AKZ402	40 mm	40 x 2 mm	0,810 kg	104



SWIVEL WHEEL WITH BRAKE EXCLUDING EXPANDER | SILVER& BLACK

With this, among other things, mobile tables, carts and other furniture can be made. Suitable for tubes with diameter 26.9 mm, 33.7 mm, 42.4 mm, 48.3 mm and for square tube profiles of 25 x 25 mm and 40 x 40 mm.

Type (silver)	Type (black)	Description	Weight	Dynamic load capacity	Static load capacity
ZW050	ZW050Z	Swivel wheel with brake	0,158	40 kg	80 kg
ZW075	ZW075Z	Swivel wheel with brake	0,274	40 kg	80 kg
ZW100	ZW100Z	Swivel wheel with brake	0,713	40 kg	80 kg



EXPANDER FOR SWIVEL WHEEL

A swivel castor can be attached to a tube using an expander. This allows for the creation of structures such as mobile frames and rolling furniture.



Type	Size	Weight
ZW-E269	Ø 26,9 mm	126 g
ZW-E337	Ø 33,7 mm	130 g
ZW-E424	Ø 42,4 mm	145 g
ZW-E483	Ø 48,3 mm	149 g
ZW-ES250	25 x 25 mm	123 g
ZW-ES400	40 x 40 mm	149 g

BUNGEE CORD WITH SPIN HOOK | BLACK 20 CM / 23 CM



Type	Size	Weight	Number per bag
6090TKS-20	20 cm - 6 mm	28 g	25
6090TKS-23	23 cm - 6 mm	28 g	25

Distance print to inside frame:

Tube 33,7 mm	Tube 42 mm	Tube 48 mm
10 cm	9 cm	8 cm
13 cm	12 cm	11 cm

BUNGEE CORD WITH BALL | BLACK 18 CM

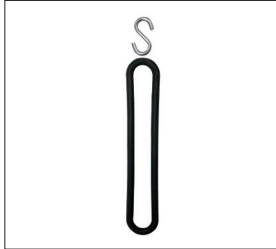


Type	Size	Weight	Number per bag
6090TKK-18	18 cm - 6 mm	10 g	25

Distance print to inside frame:

Tube 33,7 mm	Tube 42 mm	Tube 48 mm
6 cm	5 cm	4 cm

RUBBER TENSIONER WITH S-HOOK | RUBBERS (20/25 CM)



Type	Size	Weight	Number per bag
6090SR-20	Rubber 20 cm	33 g	25
6090SR-25	Rubber 25 cm	42 g	25
6090SH-4504	S-hook	10 g	25

Distance print to inside frame:

Tube 33,7 mm	Tube 42 mm	Tube 48 mm
10 cm	9 cm	8 cm
15 cm	14 cm	13 cm

SWANNECK BANNER FIXING

This swanneck banner fixing has woven steel wire in her elastic. The space between the fabric and the frame varies from 4 to 6 cm. Furthermore, the tensioner is UV-resistant and has a longer service life.



Type	Size	Weight	Number per bag
6090TKZ-16	16 cm - 6 mm	25 g	25

Distance print to inside frame:

Tube 33,7 mm	Tube 42 mm	Tube 48 mm
6 cm	5 cm	4 cm

STORMFIX

This unique stormfix is made up of 2 strands (!) 4 mm diameter elastic of high quality, which is fixed in a fiberglass-filled nylon hook with a stainless steel torx pin that can not corrode.



Type	Size	Weight	Number per bag
6090SG-20	20 cm - 8 mm	24 g	25
6090SG-20G	20 cm - 8 mm	24 g	25

Distance print to inside frame:

Tube 33,7 mm	Tube 42 mm	Tube 48 mm
4 cm	3 cm	2 cm
4 cm	3 cm	2 cm

CORNER-STORMFIX

This unique corner-stormfix is made up of 2 strands (!) 4 mm diameter elastic of high quality, which is fixed in a fiberglass-filled nylon hook with a stainless steel torx pin that can not corrode.



Type	Size	Weight	Number per bag
6090SGH-20	20 cm - 5 mm	15 g	25
6090SGH-20G	20 cm - 5 mm	15 g	25

Distance print to inside frame:

Tube 33,7 mm	Tube 42 mm	Tube 48 mm
4 cm	3 cm	2 cm
4 cm	3 cm	2 cm

ELASTIC CABLE ON A ROLL

Monoflex trapex cord with polyethylene jacket. The main core consists of mono wire in natural rubber with protection factors against UV rays. The mantle around the core consists of high-quality PE (polyethylene) mono wire.



Type	Size	Weight
6090TKR-6MM	Ca. 100 cm - 6 mm	2,3 kg
6090TKR-8MM	Ca. 100 cm - 8 mm	5,2 kg

SHEET PILE WALL

Sheet pile walls to fix a frame onto a sheet pile wall profile. Available in 10 x 10 cm and 20 x 20 cm. Suitable for tube diameter 42 and 48 mm.



Type	Size	Weight	Amount
900042-20	20 x 20 cm / Ø 42 mm	0,5 kg	20
900048-20	20 x 20 cm / Ø 48 mm	0,5 kg	20

CONCRETE BLOCK

Concrete block with cast-in tubefitting Type 54. Suitable for tube diameters 33.7 mm, 42.4 mm and 48.3 mm. Measurements concrete block 30 x 30 x 20 cm.



Type	Model	Size	Weight
BB54C	C	33,7 mm (1")	38 kg
BB54D	D	42,4 mm (1¼")	40 kg
BB54E	E	48,3 mm (1½")	40 kg

ALUMINUM FLOORBOARDS FOR AN EXHIBITION FRAME

Aluminum panels for a exhibition frame. Including welded inner tube. Suitable for a Ø 48 mm tube with a maximum wall thickness of 3 mm.



Type	Size	Weight	Amount
90004020	20 x 40 cm	1,8 kg	10

WOOD | SCAFFOLDING WOODEN PLANKS

New scaffolding wood is untreated European spruce, the original wood type. Spruce is a soft wood type and therefore easy to work with. Kiln-dried to 18%.



Type	Size	Weight
SH-N	30 x 195 x 2500 mm	5,5 kg
SH-O	30 x 195 x 2500 mm	5,9 kg

FLOOD LIGHT LED (SET) | BLACK

Including Mounting brackets and extension (100 cm). Philips LED lamps with a 5 year warranty on LEDs. IP66 suitable for all weather conditions. 5 meter cord with euro, plug quick and easy to connect. 5000K very clear color temperature. Burning hours > 50,000 efficient hours. Light angle 90°, no light loss, intense radiation. RA CRI > 80. LED lamp is maintenance free.



Type	Watt	Confirmation	Light width x height	Weight lamp
RD20-F42	20	Frame / 42 mm	1,5 m x 3 m	0,8 kg
RD20-F48	20	Frame / 48 mm	1,5 m x 3 m	0,8 kg
RD20-M42	20	Wall / 42 mm	1,5 m x 3 m	0,8 kg
RD20-M48	20	Wall / 48 mm	1,5 m x 3 m	0,8 kg
RD50-F42	50	Frame / 42 mm	2 m x 4 m	1,8 kg
RD50-F48	50	Frame / 48 mm	2 m x 4 m	1,8 kg
RD50-M42	50	Wall / 42 mm	2 m x 4 m	1,8 kg
RD50-M48	50	Wall / 48 mm	2 m x 4 m	1,8 kg

Anschrift Firma :

SH INTERNACIONAL S.L.U.

Carrer de la Closa 5, Xalet Cabanes II, AD300 Llorts, Ordino

N.R.T. L-721451-W

info@shinternacional.ch

+376 321 864

TUBO  conex